

PARTS LIST

AHT2630D

CONTENTS

1. MAIN BODY	1 ~ 2
2. GEARCASE	3 ~ 6
3. ENGINE	7 ~ 10
4. CARBURETOR, FUEL TANK	11 ~ 12
5. ACCESSORIES	13 ~ 14

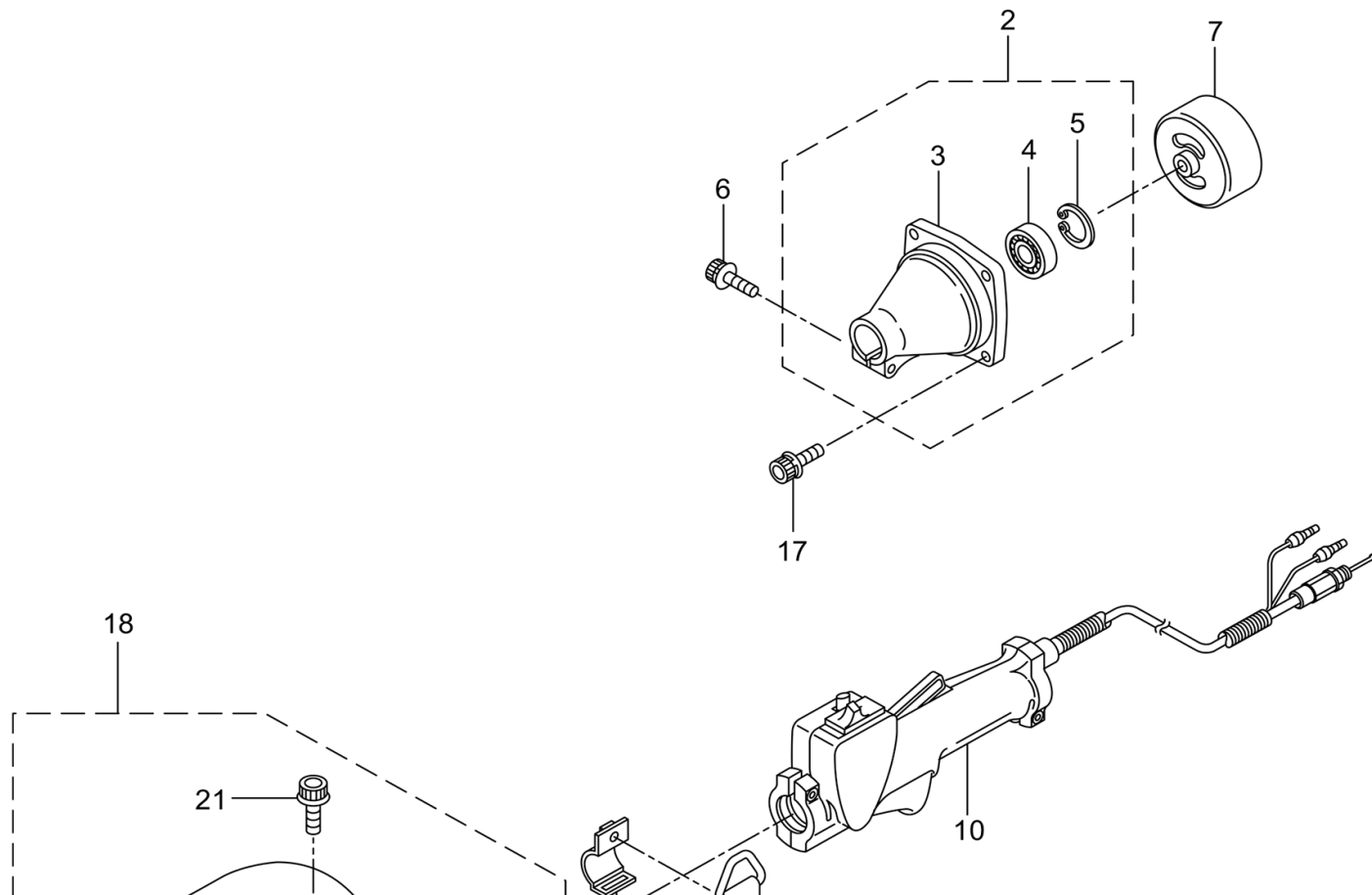
2016. 12.

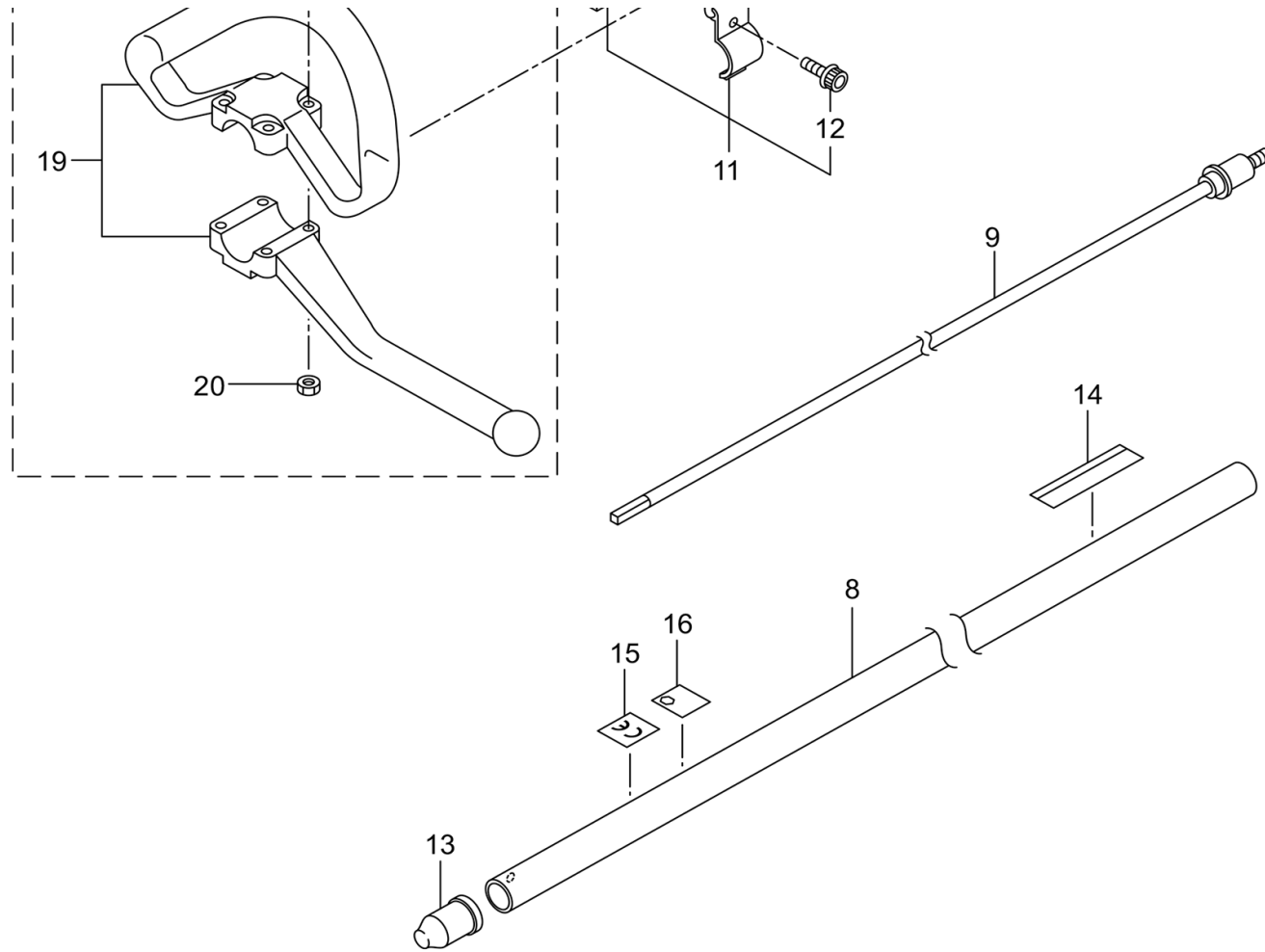


MARUYAMA

P/N 524180-2

1. AHT2630D MAIN BODY





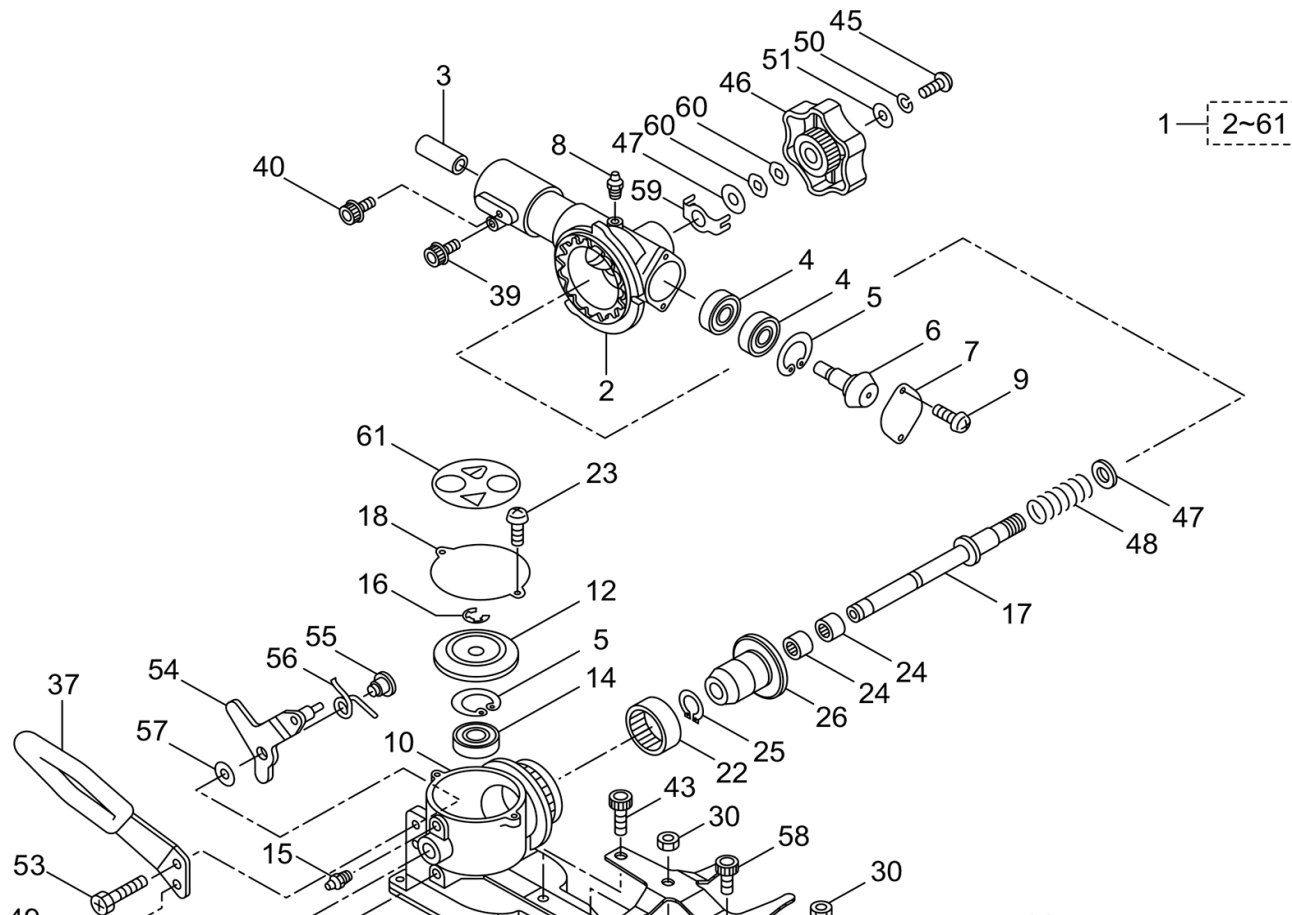
- 1 -

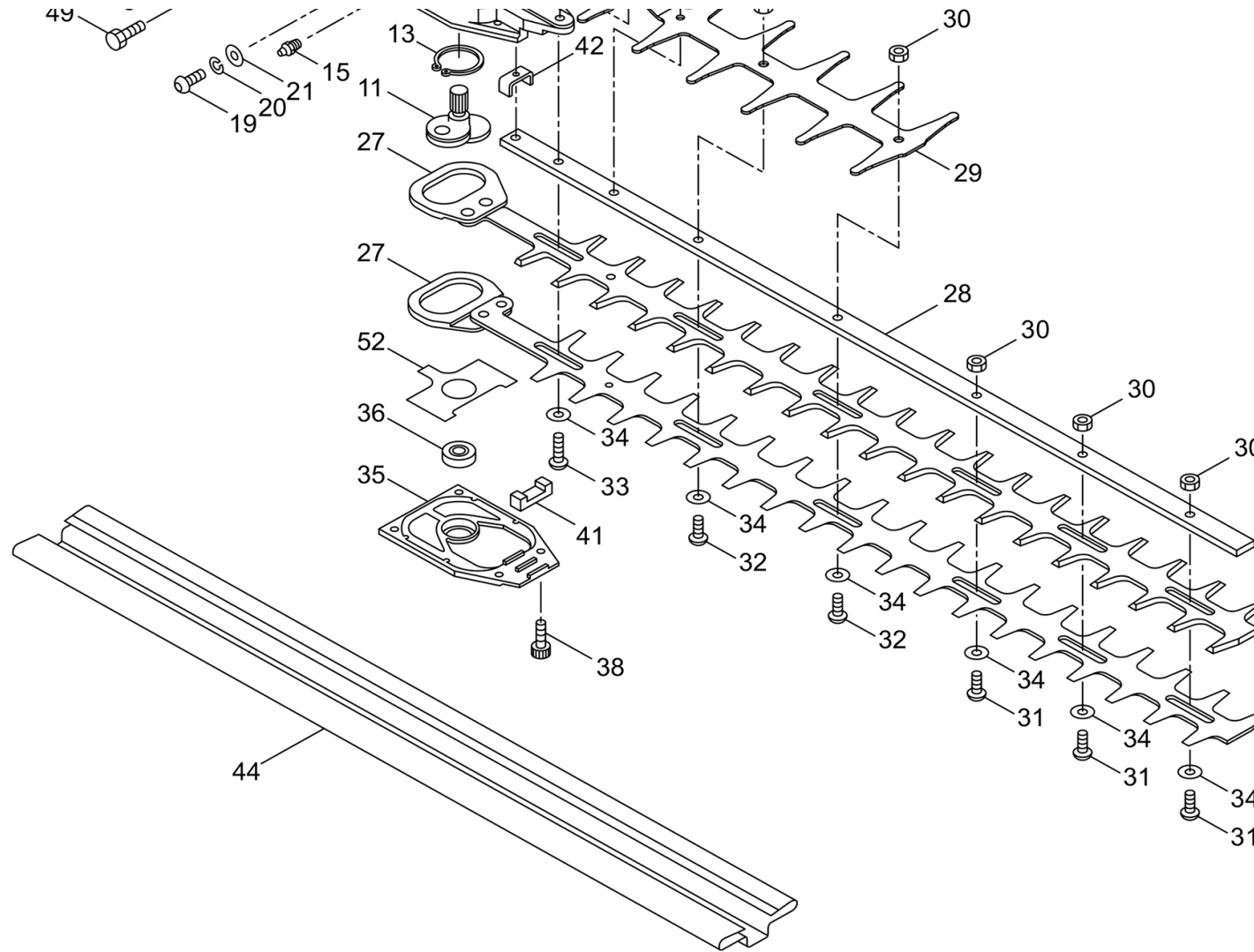
1

Status	Position	Parts Number	Parts Name	Unit Quantity	Set Unit Quantity	Remarks	Price	Maker code
	1	364567	AHT2630D(EU01)	1				
	2	219602	CLUTCH HOUSING ASSY	1		Incl.3-5		

Status	Position	Parts Number	Parts Name	Unit Quantity	Set Unit Quantity	Remarks	Price	Maker code
	3	219465	CLUTCH HOUSING	1				
	4	016405	BEARING #6200ZZ	1		#6200ZZ		
	5	013825	SNAP RING	1		#30		
	6	261246	CAP SCREW	1	5	M5x25		
	7	229091	CLUTCH DRUM ASSY	1				
	8	224124	OUTER ASSY	1				
	9	224094	DRIVESHAFT	1				
	10	235078	Throttle Lever Assy (235078)	1				
	11	215533	HANGING BRACKET ASSY	1		Incl.12		
	12	261762	SCREW	1		M5x14		
	13	215350	CAP	1				
	14	238134	PLATE	1		AHT2630D		
	15	237626	LABEL	1		CE		
	16	231468	LABEL	1		108dBA		
	17	261250	CAP SCREW	4	5	M5x20		
	18	231955	LOOP HANDLE ASSY	1		Incl.19-21		
	19	225699	LOOP HANDLE	1				
	20	081027	NUT	4	5	M5		
	21	215608	CAP SCREW	4	5	M5x30x16		

2. AHT2630D GEARCASE





- 3 -

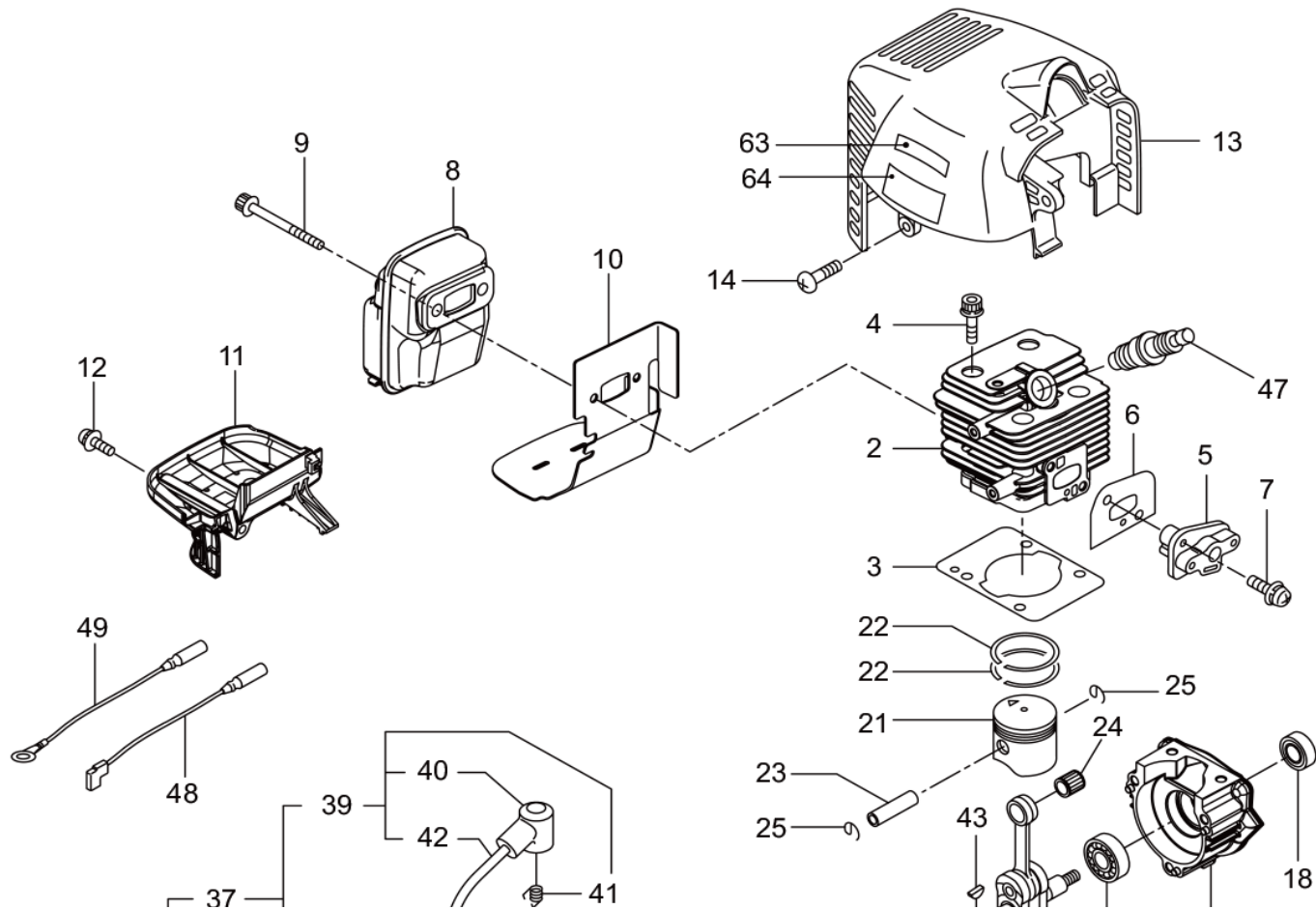
1

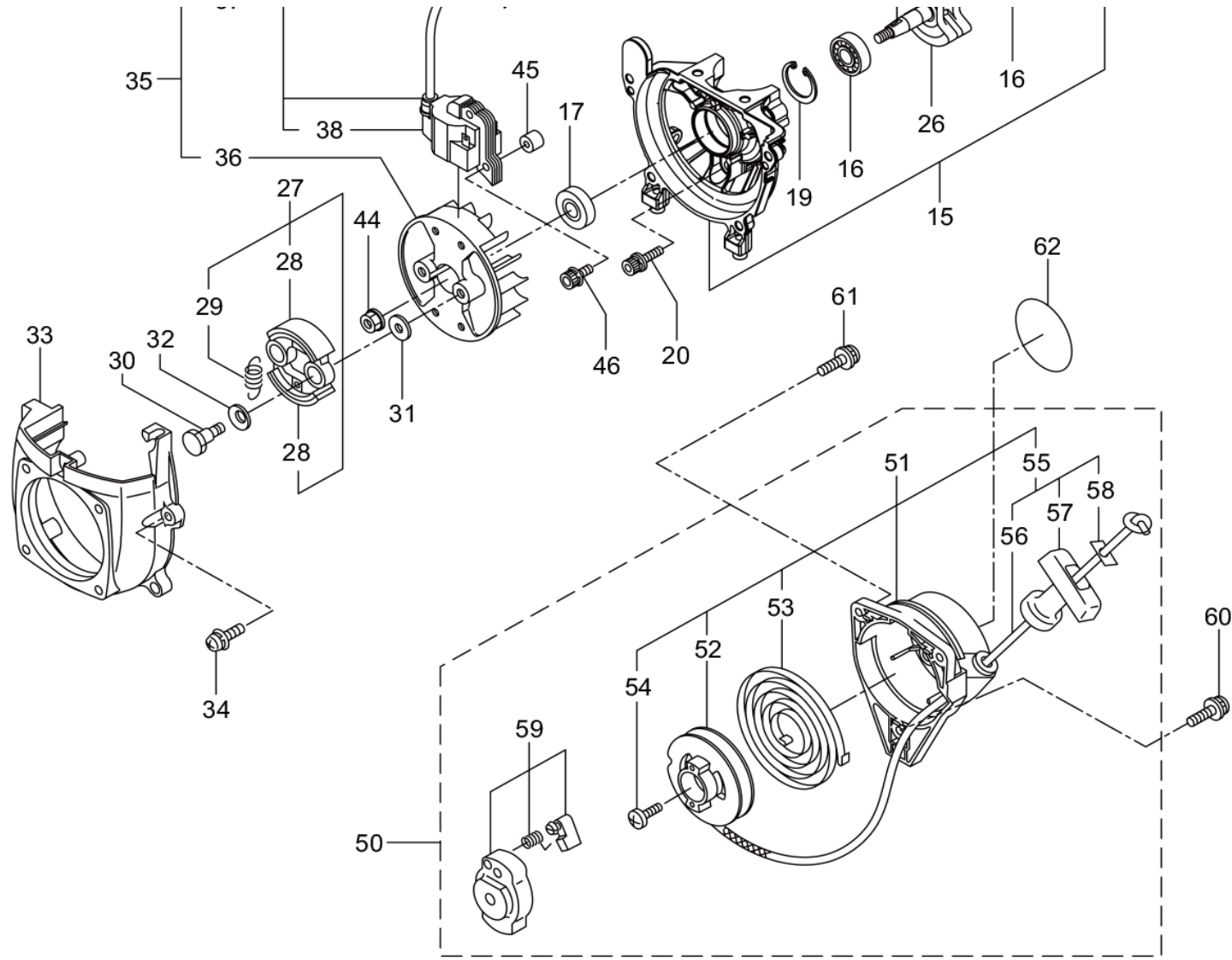
Status	Position	Parts Number	Parts Name	Unit Quantity	Set Unit Quantity	Remarks	Price	Maker code
	1	237090	TRIMMER 24	1		Incl.2-61		
	2	407312	JOINT CASE	1				TP5-A007000

Status	Position	Parts Number	Parts Name	Unit Quantity	Set Unit Quantity	Remarks	Price	Maker code
	3	631779	JOINT	1				A224-110004
	4	407313	BEARING 6000ZZ	2				K353-060000
	5	631757	SNAP RING	2	5	RTW26		K282-026000
	6	407314	BEVEL GEAR	1				G023-500170
	7	407315	LID	1				TP1-A020000
	8	580766	GREASE NIPPLE	1		M6		
	9	631753	SCREW	2		M4x8		K016-040080
	10	407316	GEAR HOUSING	1				TP5-A006000
	11	407317	CRANKSHAFT	1				G024-000020
	12	407318	BEVEL GEAR	1				G023-500180
	13	631759	SNAP RING	1	5	STW28		K283-028000
	14	582443	BEARING 6000DDU	1		#6000 2RS		
	15	580766	GREASE NIPPLE	2		M6		
	16	631755	SNAP RING	1	5	ETW6		K280-006000
	17	407319	SHAFT	1				TP2-A001000
	18	407320	LID B	1				TP1-A017000
	19	407321	CAP SCREW	1		M6x16		K082-06016T
	20	631749	SPRING WASHER	1	10	M6		K210-060000
	21	582436	WASHER	1		M6		K201-060000
	22	407322	BEARING BTM2512	1				R049-000900
	23	631753	SCREW	2		M4x8		K016-040080
	24	407323	BEARING 10BTM1410	2				R049-000800
	25	407324	C-SHAPED STOP RING	1				K287-010000
	26	407325	BEVEL GEAR	1				G023-500160
	27	407326	BLADE 600	2				TP4-A330600
	28	407327	SUPPORT S600	1				TP1-A038000
	29	237226	BLADE GUARD	1				
	30	580764	U-NUT	6	5	M6		
	31	631765	SCREW	3		L17		A040-001009
	32	631764	SCREW	2		L19		A040-002009
	33	407328	SCREW	1		L26		G040-005000
	34	991913	WASHER	6	10			008-250
	35	407329	RECEIVER	1				TP5-A008000
	36	631771	BEARING 608 2RS	1		#608 2RS		K354-006080
	37	407330	HANDLE	1				TP1-A040000
	38	407331	BOLT	4	5	M5x14		K078-05014T

Status	Position	Parts Number	Parts Name	Unit Quantity	Set Unit Quantity	Remarks	Price	Maker code
	39	631778	CAP SCREW	1		M5x25		K078-05025T
	40	631777	CAP SCREW	1		M5x12		K073-050121
	41	407332	FELT	1				TP1-A019000
	42	407333	PLATE	1				TP1-A023000
	43	407334	BOLT	1		M5x16		K078-05016T
	44	407335	BLADE COVER	1				G028-206601
	45	407336	CAP SCREW	1		M6x12		K082-06012T
	46	407337	KNOB	1				TP1-A025000
	47	407338	WASHER	2				K203-100000
	48	407339	SPRING	1				G002-000290
	49	631770	SCREW	1		M6x12		K054-060120
	50	631749	SPRING WASHER	1	10	M6		K210-060000
	51	582436	WASHER	1		M6		K201-060000
	52	407340	SLIDE PLATE	1				TP1-A022000
	53	407341	BOLT	1		M6x25		K054-060250
	54	407342	LEVER	1				TP1-A028000
	55	407343	BUSHING	1				TP1-A027000
	56	407344	SPRING	1				G003-000090
	57	646471	WASHER	1				K207-060162
	58	407345	BOLT	1		M5x8		K081-05008T
	59	407347	SPRING	1				TP1-A030000
	60	407348	WASHER	2				K229-10000S
	61	407349	LABEL	1				G052-001810

3. AHT2630D ENGINE





- 7 -

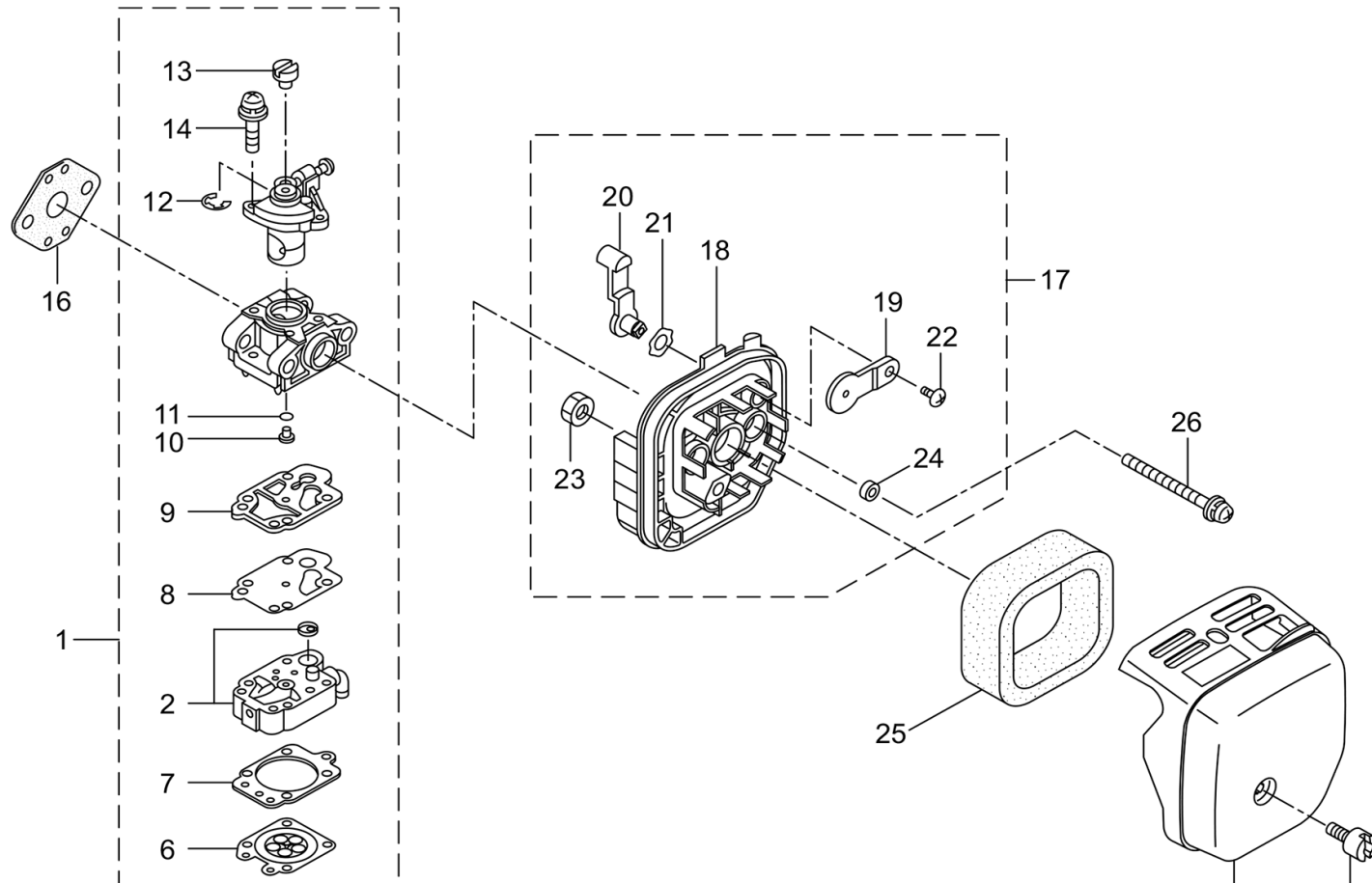
1

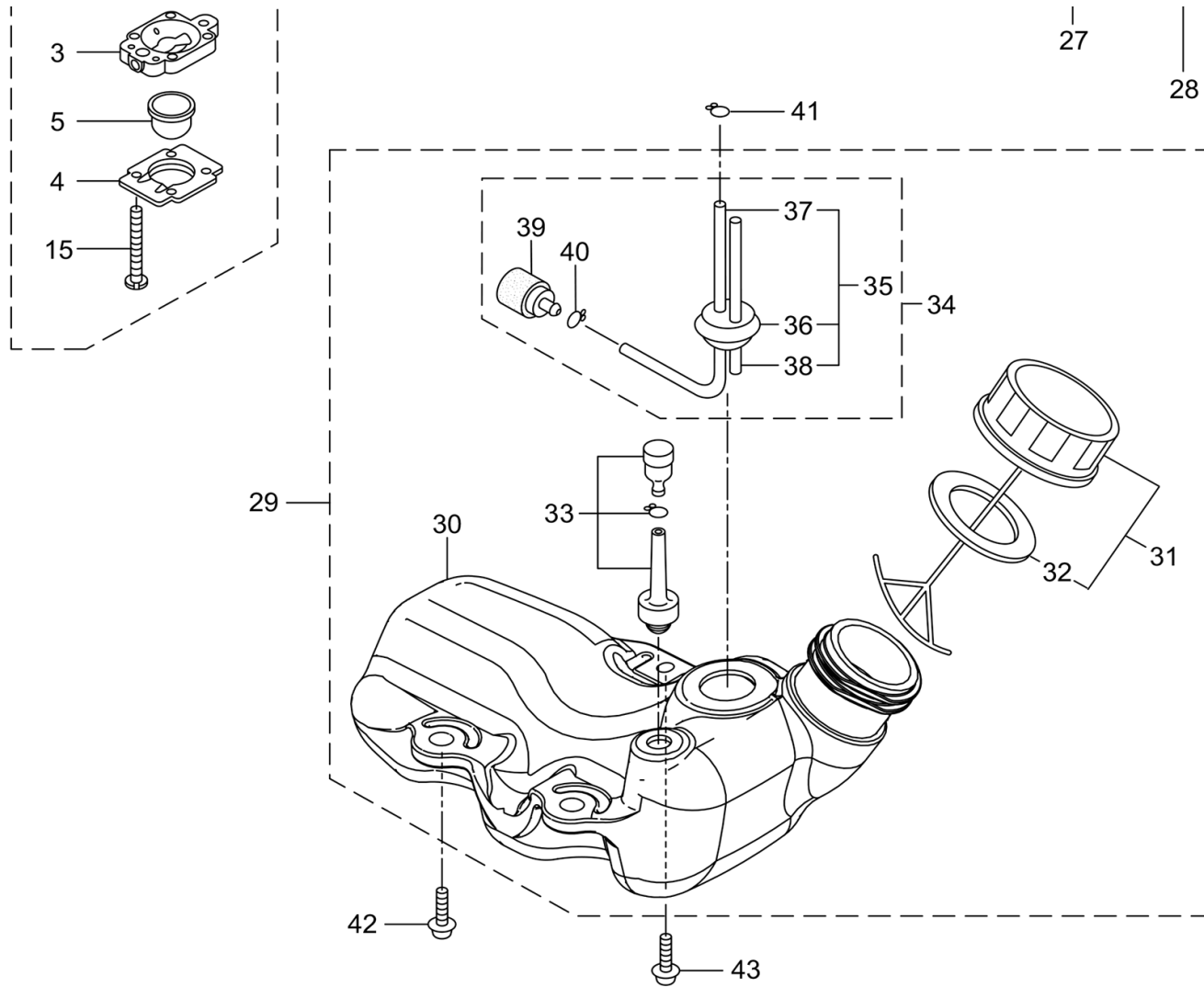
Status	Position	Parts Number	Parts Name	Unit Quantity	Set Unit Quantity	Remarks	Price	Maker code
	1	859839	EE262/01(AHT2630D)	1				

Status	Position	Parts Number	Parts Name	Unit Quantity	Set Unit Quantity	Remarks	Price	Maker code
	2	273153	CYLINDER	1				
	3	282330	GASKET	1	5			
	4	261250	CAP SCREW	4	5	M5x20		
	5	282579	INSULATOR	1				
	6	267049	GASKET	1	5			
	7	269826	SCREW	2	5	M5x25		
	8	276315	MUFFLER	1				
	9	266402	CAP SCREW	2	5	M5x55		
	10	273147	GASKET	1				
	11	246083	UNDER COVER	1				
	12	269827	SCREW	1	5	M5x16		
	13	276319	TOP COVER	1				
	14	280144	TAPPING SCREW	1	5			
	15	273673	CRANKCASE	1				
	16	280488	BEARING 6001C3	2		PPL 6001		
	17	261492	OIL SEAL	1		ISCD12287		
	18	261386	OIL SEAL	1		ISCD12227		
	19	055185	SNAP RING #28	1	5	#28		
	20	261612	CAP SCREW	3		M5x30		
	21	273155	PISTON	1				
	22	261496	PISTON RING	2		(2)Required		
	23	261497	PISTON PIN	1				
	24	261037	BEARING NEEDLE KBK8X11X11.8X1	1		KBK8x11x11.8x1		
	25	261576	CLIP PISTON	2				
	26	277939	CRANK SHAFT	1				
	27	269168	CLUTCH ASSY	1		Incl.28,29		
	28	269169	CLUTCH SHOE	2		(2)required		
	29	269173	SPRING	1				
	30	269647	CLUTCH BOLT	2				
	31	269175	WASHER	2	5	6.1x15x1.6		
	32	261777	WAVE WASHER	2	5			
	33	283386	FAN COVER	1				
	34	269831	SCREW	4	5	M5x20		
	35	282692	MAGETO ASSY	1		Incl.36-42		

Status	Position	Parts Number	Parts Name	Unit Quantity	Set Unit Quantity	Remarks	Price	Maker code
	36	261356	ROTOR	1				
	37	282693	IGNITION COIL ASSY	1		Incl.38-42		
	38	267401	COIL	1				
	39	282694	SPARK PLUG WIRE ASSY	1		Incl.40-42		
	40	261074	PLUG BOOT	1				
	41	261075	CONNECTOR	1				
	42	282695	SPARK PLUG WIRE	1				
	43	261076	WOODRUFF KEY 3X10	1	5	3x10		
	44	261417	NUT ROTOR M8	1	5	M8		
	45	280381	SPACER	2	5			
	46	261256	BOLT	2	5	M4x25		
	47	288264	SPARK PLUG	1		BPMR8Y		
	48	267492	LEAD	1		130L		
	49	282880	WIRE LEAD	1				
	50	288684	RECOIL STARTER ASSY	1		Incl.51-59		
	51	288685	STARTER ASSY	1		Incl.52-58		
	52	288967	REEL	1				
	53	288968	SPIRAL SPRING	1				
	54	262922	SCREW	1				
	55	288969	ROPE ASSY	1		Incl.56-58		
	56	288970	STARTER ROPE	1				
	57	261725	STARTER GRIP	1				
	58	283511	ROPE STOPPER	1				
	59	288971	STARTER PULLEY ASSY	1				
	60	269833	SCREW	1	5	M4x16		
	61	280489	SCREW	2	5	M4x20		
	62	276312	LABEL	1				
	63	284587	LABEL	1				
	64	286122	LABEL	1		MARUYAMA		

4. AHT2630D CARBURETOR, FUEL TANK





- 11 -

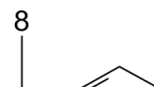
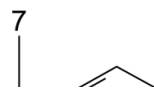
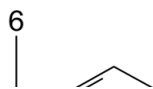
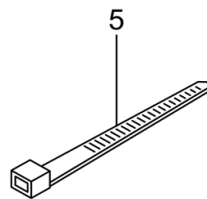
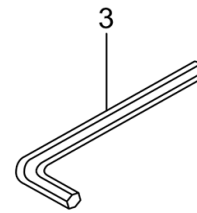
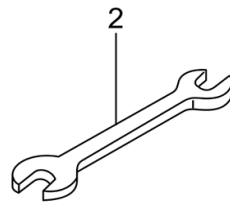
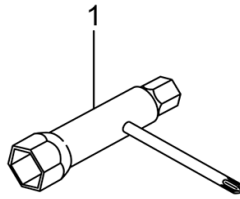
1

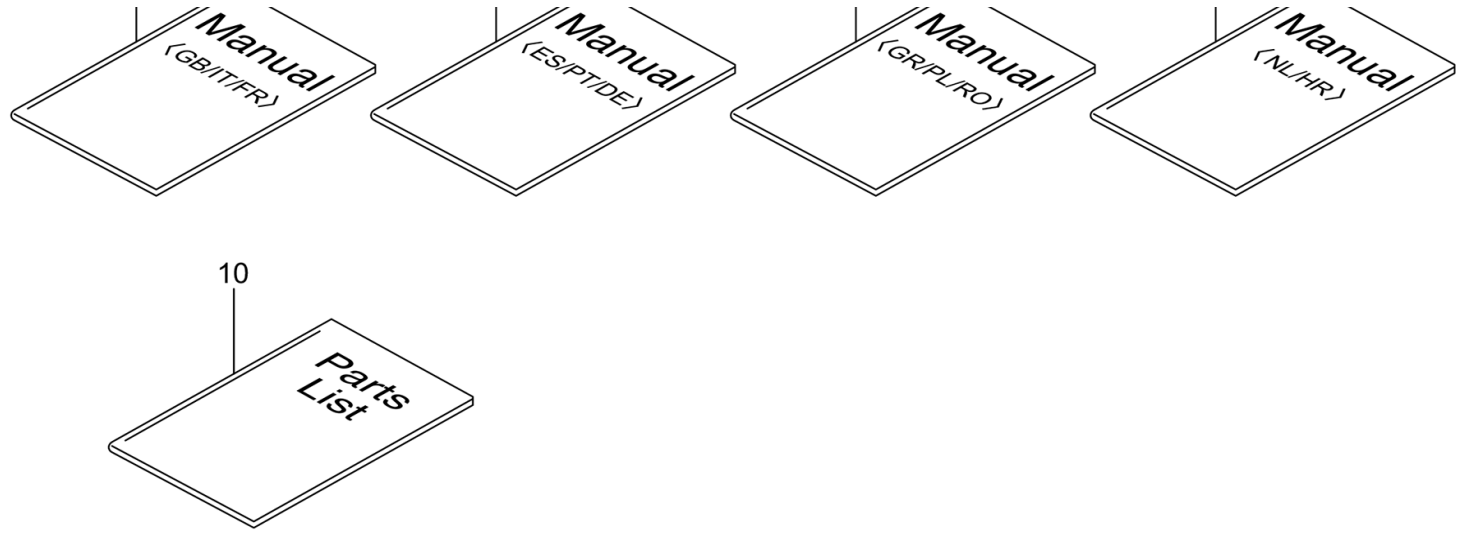
Status	Position	Parts Number	Parts Name	Unit Quantity	Set Unit Quantity	Remarks	Price	Maker code
	1	276328	CARBURETOR	1		Incl.2-15		
	2	281597	BODY	1				

Status	Position	Parts Number	Parts Name	Unit Quantity	Set Unit Quantity	Remarks	Price	Maker code
	3	262991	PURGE BODY	1				
	4	262992	COVER	1				
	5	261874	PRIMER	1				
	6	283905	DIAPHRAGM METERRING	1				
	7	262993	GASKET	1				
	8	262994	DIAPHRAGM	1				
	9	282576	GASKET	1				
	10	285030	MAIN JET	1				
	11	261871	O-RING	1				
	12	261876	RING	1				
	13	261658	SWIVEL	1				
	14	264682	SCREW	2				
	15	262996	SCREW	4	5			
	16	261864	GASKET	1	5			
Δ	17	289048	CASE	1		Incl.18-24		
	18	269050	CASE BODY	1				
	19	289019	MACHINED DISC	1				
	20	284803	LEVER	1				
	21	284816	WASHER	1	5	6.4x11x0.15		
	22	269032	SCREW	1	5			
	23	126993	NUT	1	5	M5		
	24	269051	SLEEVE	2				
	25	269030	ELEMENT	1				
	26	281777	SCREW	2	5	M5x55		
Δ	27	269580	CLEANER COVER	1				
	28	269031	CAP SCREW	1	5	M5x12		
	29	276310	TANK ASSY	1		Incl.30-40		
	30	273467	FUEL TANK	1				
	31	275306	CHEMICAL TANK CAP	1		Incl.32		
	32	274875	PACKING	1				
	33	261696	BREATHER ASSY	1				
	34	265752	FUEL PIPE	1		Incl.35-40		
	35	264031	FUEL PIPE ASSY	1		Incl.36-38		
	36	261115	GROMMET	1				
	37	261690	FUEL PIPE	1		160L		

Status	Position	Parts Number	Parts Name	Unit Quantity	Set Unit Quantity	Remarks	Price	Maker code
	38	263038	RETURN PIPE	1		3x6x85L		
	39	277887	FILTER ASSY	1				
	40	261117	CLIP	1				
	41	261117	CLIP	1				
	42	269828	SCREW	2	5	M5x16		
	43	281208	SCREW	1	5	M5x16		

5. AHT2630D ACCESSORIES





- 13 -

1

Status	Position	Parts Number	Parts Name	Unit Quantity	Set Unit Quantity	Remarks	Price	Maker code
	1	210418	BOX SPANNER	1		13x19x(+)		
	2	022865	DOUBLE-ENDED SPANNER	1		8x10		

Status	Position	Parts Number	Parts Name	Unit Quantity	Set Unit Quantity	Remarks	Price	Maker code
	3	219432	WRENCH	1		4mm		
	4	234954	COLGATE TUBE	1		60L		
	5	234955	BAND	1		3.4x145L		
	6	238138	INSTRUCTION MANUAL	1		GB/IT/FR		
	7	238139	INSTRUCTION MANUAL	1		ES/PT/DE		
	8	238140	INSTRUCTION MANUAL	1		GR/PL/RO		
	9	238141	INSTRUCTION MANUAL	1		NL/HR		
	10	524180	PARTS LIST	1		AHT2630D		