

# PARTS LIST

PD50

## CONTENTS

1. FRAME, GEARCASE .....	1
2. ACCESSORIES .....	5
3. ENGINE .....	7
4. CARBURETOR, FUEL TANK .....	11

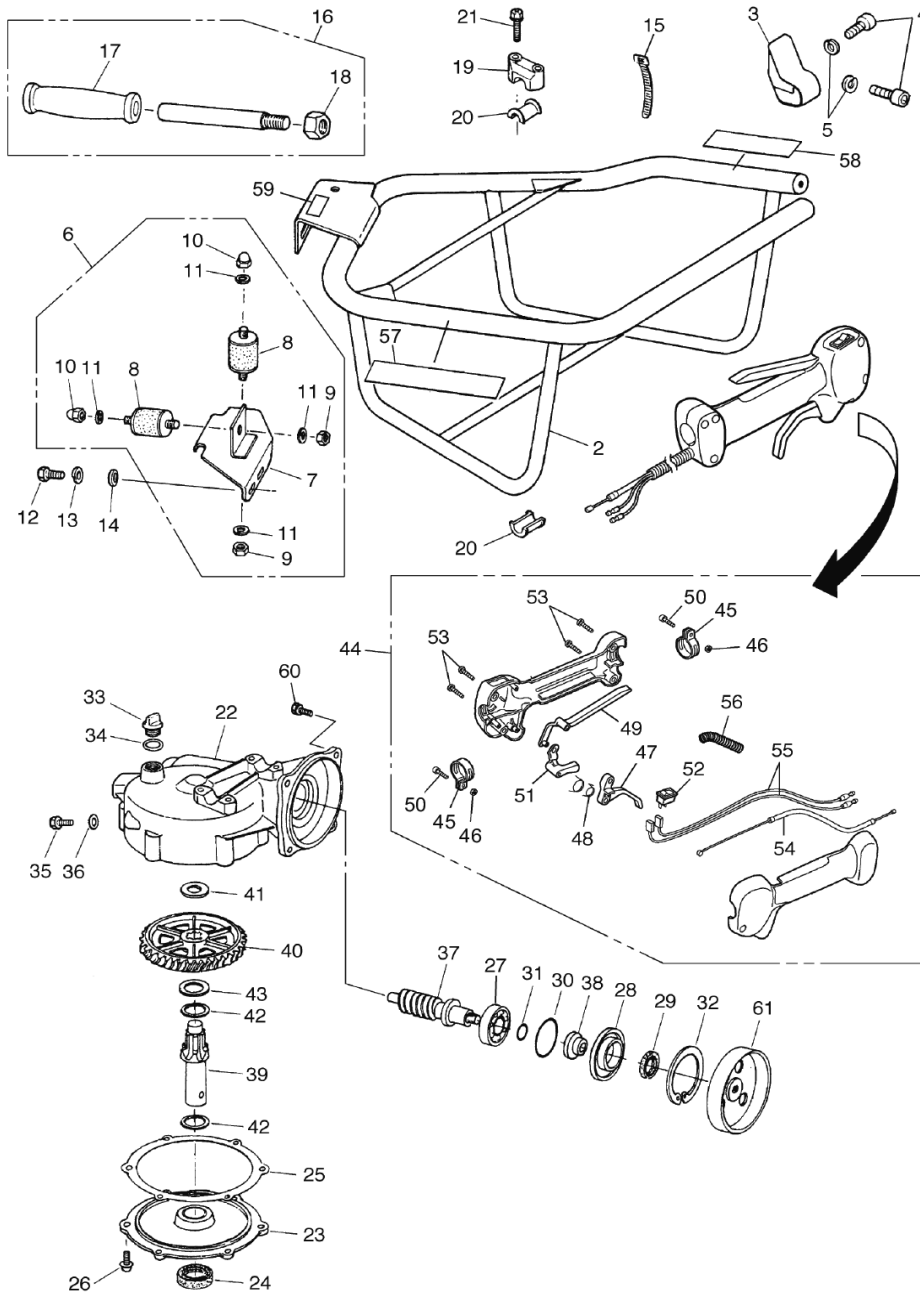
**CAIMAN**

2020. 07.

P/N 525051

PD50

1. FRAME, GEARCASE



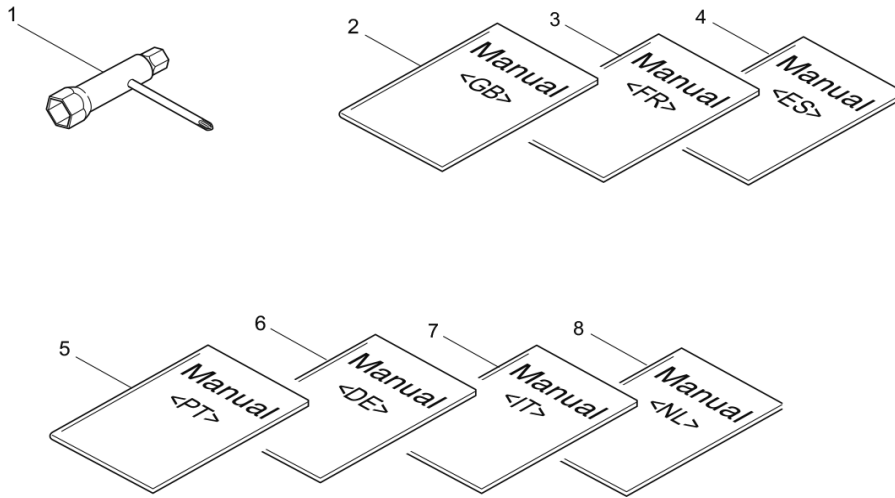
- 1 -

1

Status	Position	Parts Number	Parts Name	Unit Quantity	Set Unit Quantity	Specification	Remarks	Maker code
	1	364844	PD 50 (EU01)	1				
	2	230000	FRAME	1				
	3	230001	BRACKET FRAME	1				
	4	087925		2		M10X25	M10x25	
	5	126231	WASHER LOCK	2	5	M10 2J^ウ	M10	
	6	229993	BRACKET ASSY	1			Incl.7-11	
	7	229994		1				

Status	Position	Parts Number	Parts Name	Unit Quantity	Set Unit Quantity	Specification	Remarks	Maker code
	8	229995	BUFFER	2				
	9	081030	NUT	2	5	M6	M6	
	10	229996		2		M6 3ｶﾞﾀ	M6	
	11	126568	SPRING WASHER	4	5	M6 2ｼﾞﾝ	M6	
	12	229997	BOLT	2		M6X20	M6x20	
	13	126568	SPRING WASHER	2	5	M6 2ｼﾞﾝ	M6	
	14	229999	WASHER	2		6.1X14XT2.3		
	15	230002	BAND	1				
	16	230003	HANDLE COMP.	1			Incl.17,18	
	17	230004	GRIP	1				
	18	081069	NUT	1	5	M14X1.5	M14	
	19	230005	HOLDER	2				
	20	230006	SPACER	4				
	21	092556	BOLT	4	5	M6X30 ｱｯﾁ	M6x30	
	22	230008	GEAR CASE COMPLETE	1				
	23	230009	COVER COMPLETE	1				
	24	230010	OIL SEAL	1				
	25	230011	GASKET	1				
	26	092001	SCREW	6		M6X20(SMK)	M6x20	
	27	230012	BEARING	1				
	28	230013	RETAINER	1				
	29	230014	OIL SEAL	1				
	30	230015	O-RING	1				
	31	230016	O-RING	1				
	32	056967	C-SHAPED RING 62	1		ﾌﾞﾗｲﾄﾞ62	#62	
	33	230017	PLUG	1				
	34	230018	O-RING	1				
	35	230019	BOLT	1		M6X10	M6x10	
	36	230020	GASKET	1				
	37	230021	WORM	1				
	38	230022	COLLAR	1				
	39	230023	SHAFT	1				
	40	230024	WHEEL	1				
	41	230025	WASHER	1				
	42	230026	WASHER	2				
	43	230027	SIM	1				
	44	230654	HANDLE ASSY	1			Incl.45-56	
	45	230042		2				
	46	230662	NUT	2		M5	M5	
	47	230657	LEVER	1				
	48	230658	SPRING	1				
	49	230659	LEVER-S	1				
	50	230043		2		M5X20	M5x20	
	51	230660	LEVER	1				
	52	230037	SWITCH	1				
	53	230038		4		ﾄﾙｸｽ		
	54	230039	CABLE COMP	1				
	55	230661		2				
	56	230041		1		ｺﾞﾐ7		
	57	242028		1		PD50	PD50	
	58	229951	LABEL	1		ｵｰｶﾞﾓｸ/CEﾀｲｲ	CAUTION	
	59	228043	LABEL	1		112DBA		
	60	092552	BOLT	4	5	M6X20 ｱｯﾁ	M6x20	
	61	229856	CLUTCH DRUM	1		M12X1.5-78/ｵｰｶﾞ		

PD50  
2. ACCESSORIES



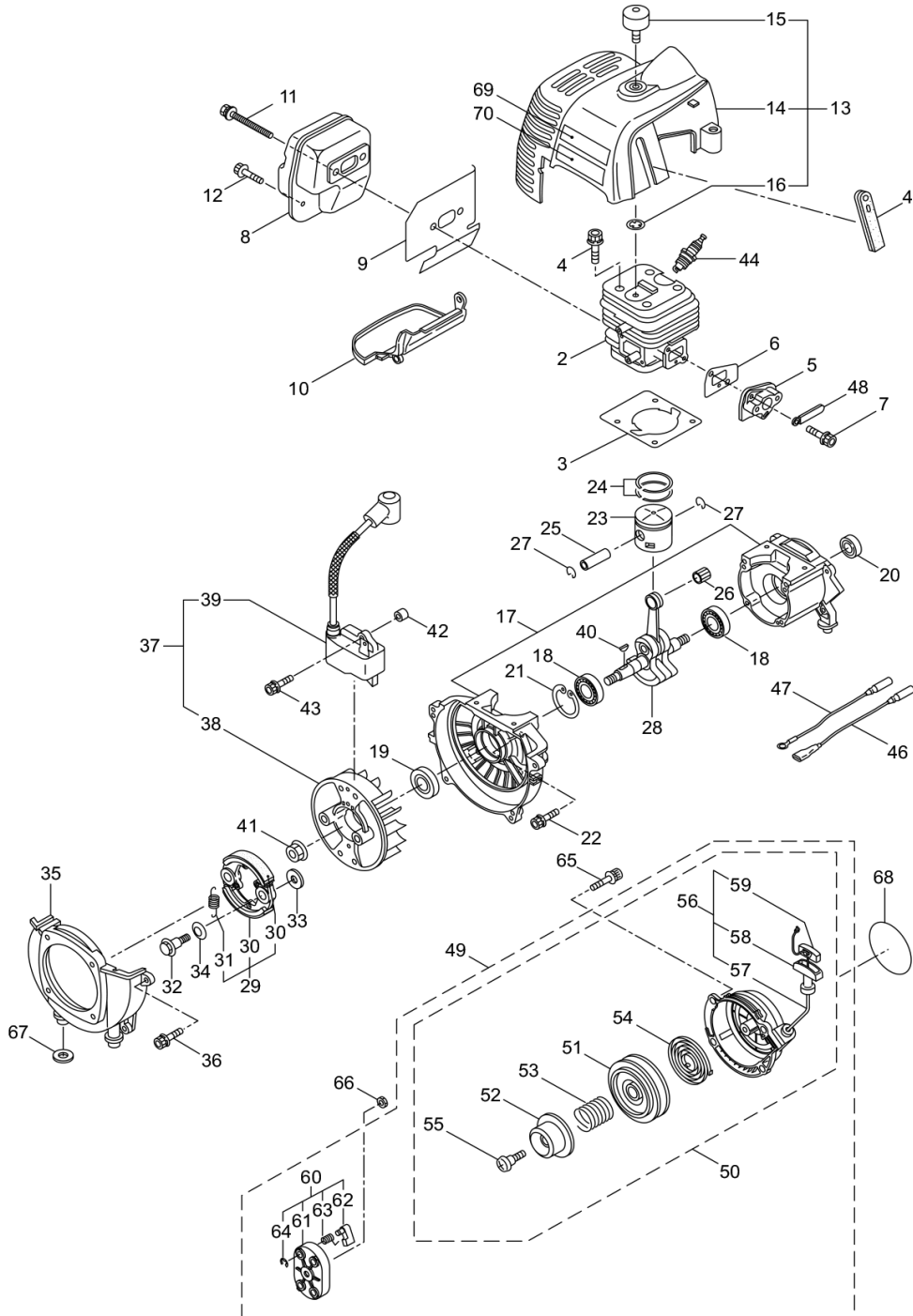
- 5 -

1

Status	Position	Parts Number	Parts Name	Unit Quantity	Set Unit Quantity	Specification	Remarks	Maker code
	1	210418	BOX SPANNER	1		13X19X(+) <sup>ト</sup> キ <sup>ハ</sup>	13x19x(+)	
	2	242029		1		PD50	GB	
	3	242030		1		PD50	FR	
	4	242031		1		PD50	ES	
	5	242032		1		PD50	PT	
	6	242033		1		PD50	DE	
	7	242034		1		PD50	IT	

Status	Position	Parts Number	Parts Name	Unit Quantity	Set Unit Quantity	Specification	Remarks	Maker code
	8	242035		1		PD50	NL	

PD50  
3. ENGINE



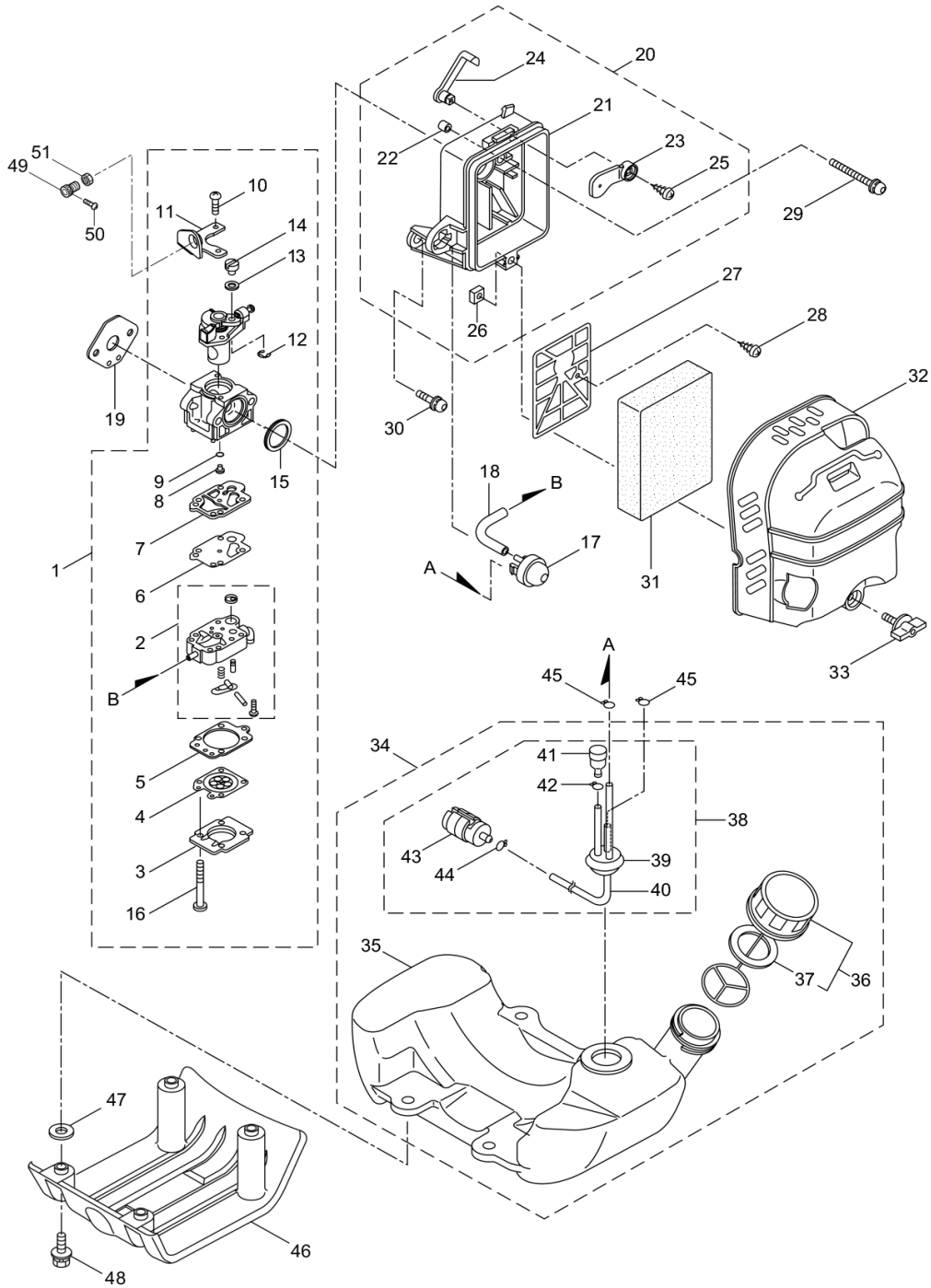
- 7 -

1

Status	Position	Parts Number	Parts Name	Unit Quantity	Set Unit Quantity	Specification	Remarks	Maker code
	1	875350		1			CE500/05	
	2	288125	SYLINDER COMP	1		CE500 ｶﾞｼﾞｯﾄ		
	3	288171	GASKET	1		50CC/T1.0		
	4	261246	CAP SCREW	4	5	M5X25	M5x25	

Status	Position	Parts Number	Parts Name	Unit Quantity	Set Unit Quantity	Specification	Remarks	Maker code
	5	285778	INSURATOR	1			New gasket required	
	6	285779	GASKET	1				
	7	265924	CAP SCREW	2	5	M5X25WSW+㊦	M5x25	
	8	288276	MAFFLER COMP	1				
	9	285783	GASKET	1				
	10	285784	UNDER COVER	1		㊦		
	11	266713	CAP SCREW	2		M5X60㊦㊦	M5x60	
	12	283315	CAP SCREW	1		M5X12W-12	M5x12W-12	
	13	286891	TOP COVER	1			Incl.14-16	
	14	285786	TOP COVER	1		㊦㊦		
	15	285843	KNOB BOLT	1				
	16	286362	WASHER	1	5	M6	M6	
	17	288200	CRANKCASE	1				
	18	262658	BEARING 6202 C3	2		6202C3**	#6202C3	
	19	246472	OIL SEAL	1		TB2 15 35 7		
	20	246471	OIL SEAL	1		TB 15 25 7		
	21	012380	SNAP RING	1		㊦㊦㊦35	#35	
	22	261612	CAP SCREW	4		M5X30	M5x30	
	23	246091	PISTON	1				
	24	282941	PISTON RING	2		NE500	(2)Required	
	25	262749	PISTON PIN	1		7.5X11X33.5		
	26	262659	NEEDLEBEARING KTV111414EGX01B2	1		KTV111414EG01B2	KTV111414EG01B2	
	27	262479	CLIP PISTON	2				
	28	285797	SHAFT COMPLETE	1		CE420		
	29	286905	CLUTCH ASSY	1			Incl.30,31	
	30	286906	CLUTCH SHOE	2			(2)Required	
	31	286907	SPRING CLUTCH	1				
	32	246377	CLUTCH BOLT	2		M8X1.25 (㊦)㊦㊦	M8x1.25	
	33	262683	WASHER	2	5	8X22XT1.2	8x22xt1.2	
	34	262682	WAVE WASHER	2	5			
	35	282285	FAN COVER	1		NE420		
	36	261250	CAP SCREW	4	5	M5X20	M5x20	
	37	246513		1			Incl.38,39	
	38	246514		1				
	39	279547	IGNITION COIL ASSY	1				
	40	261076	WOODRUFF KEY 3X10	1	5	㊦㊦㊦ 3X10	3x10	
	41	262731	NUT	1		M10X17XT8㊦㊦21	M10	
	42	280381	SPACER	2	5			
	43	261256	BOLT	2	5	M4X25	M4x25	
	44	288264	SPARK PLUG	1		NGK BPMR8Y	BPMR8Y	
	45	286988	GROMMET	1				
	46	283735	WIRE COIL	1		15㊦㊦5HCBH		
	47	284541	LEAD	1		135M4HCBH		
	48	264588	CLAMP	1	5			
	49	285809	RECOIL STARTER ASSY	1			Incl.50-64	
	50	285810	RECOIL STARTER ASSY	1		CE420㊦㊦㊦㊦㊦㊦	Incl.51-59	
	51	286291	REEL	1		A54108100500		
	52	286292	CAM PLATE	1		A54308110100		
	53	286293	CAMPER SPRING	1		A52408110000		
	54	280995	SPIRAL SPRING	1				
	55	286295	SET SCREW	1		A607116A0010		
	56	286296	STARTER ROPE ASSY	1		A201267R0300	Incl.57-59	
	57	286297	STARTER ROPE	1		3.8X1000	3.8x1000	
	58	262633	STARTER KNOB	1		㊦		
	59	262981	CAP	1		㊦		
	60	285679	STARTER PULLEY ASSY	1			Incl.61-64	
	61	285680	STARTER PULLEY	1				
	62	285681	RATCHET	2				
	63	285682	RETURN SPRING	2				
	64	262638	E-RING	2				
	65	268940	SCREW	4		M5X18WSW-12	M5x18	
	66	285736	NUT	1		M8 6㊦㊦X4	M8	
	67	285735	RUBBER PACKING	4	5	17X8X2		
	68	246090	RECOIL LABEL	1		66/CE500		
	69	265694	LABEL	1		CE㊦㊦㊦		
	70	246302	LABEL	1		CAIMAN	CAIMAN	

PD50  
4. CARBURETOR, FUEL TANK



- 11 -

1

Status	Position	Parts Number	Parts Name	Unit Quantity	Set Unit Quantity	Specification	Remarks	Maker code
	1	289479	CARBURETOR ASSY	1		WYK-533	Incl.2-16	
	2	283124	CARBURETOR BODY	1		WB5-7437		
	3	263726	COVER PLATE	1		WB21-158		
	4	283905	DIAPHRAGM METERRING	1		WB95-614		
	5	263727	GASKET	1		WB92-192		
	6	262994	DIAPHRAGM	1		WB95-99		
	7	282576	GASKET	1		WB92-415		

Status	Position	Parts Number	Parts Name	Unit Quantity	Set Unit Quantity	Specification	Remarks	Maker code
	8	246486	JET	1				
	9	261871	O-RING	1		WB16-104		
	10	261875	SCREW	2		WB96-323		
	11	264677	BRACKET	1		WB167-143		
	12	261876	RING	1		WB16-71		
	13	264678	WASHER	1	5	WB136-221		
	14	261658	SWIVEL	1		WB52-34		
	15	261657	PACKING	1		WB16-171		
	16	263737	SCREW	4		WB96-325		
	17	282299	PRIMER	1				
	18	282512	PIPE	1				
	19	282301	GASKET	1				
×	20	246464	CASE ASSY	1		42/50ヨリ-カワ1	Incl.21-26	
	21	282303	HOUSING BODY	1				
	22	282484	SLEEVE	3				
×	23	246465	VALVE	1		バル1		
	24	282305	LEVER	1				
	25	269032	SCREW	1	5	タツビ°ンネシ° 3.5X8		
	26	269423	NUT	1	5	シカケナツM5		
	27	282481	PLATE	1				
	28	269032	SCREW	1	5	タツビ°ンネシ° 3.5X8		
	29	261814	CAP SCREW	2	5	M5X50WSWホ°	M5x50	
	30	264807	CAP SCREW	1	5	M5X16WSWホ°	M5x16	
	31	282306	ELEMENT	1				
	32	285814	CLEANER COVER	1		加		
	33	279350	KNOB	1				
	34	286893	TANK ASSY	1		A40B88C180D97	Incl.35-44	
	35	286067	TANK	1				
	36	275306	FUEL TANK CAP ASSY	1			Incl.37	
	37	274875	PACKING	1		KRYNAC4975F		
	38	286794	FUEL PIPE ASSY	1			Incl.39-44	
	39	268065	GROMMET	1		3フ		
	40	262649	FUEL PIPE	1		3X5X180L(加)		
	41	261590	BREATHER SUB ASSY	1				
	42	261117	CLIP	1				
△	43	267328	FUEL FILTER ASSY	1		125-532		
	44	261117	CLIP	1				
	45	261117	CLIP	2				
	46	285819	STAND	1		加		
	47	285735	RUBBER PACKING	4	5	17X8X2		
	48	281714	CAP SCREW	4		M5X20WSW-12	M5x20	
	49	230044	SCREW	1				
	50	230045	SCREW	1				
	51	127218	NUT	1	10	M6 3フ1	M6	