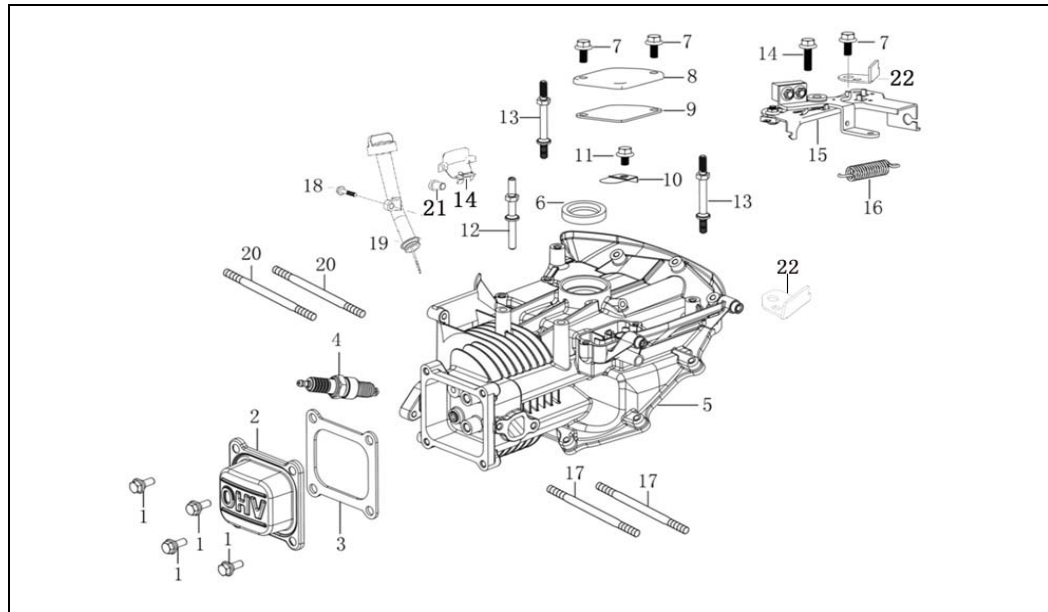
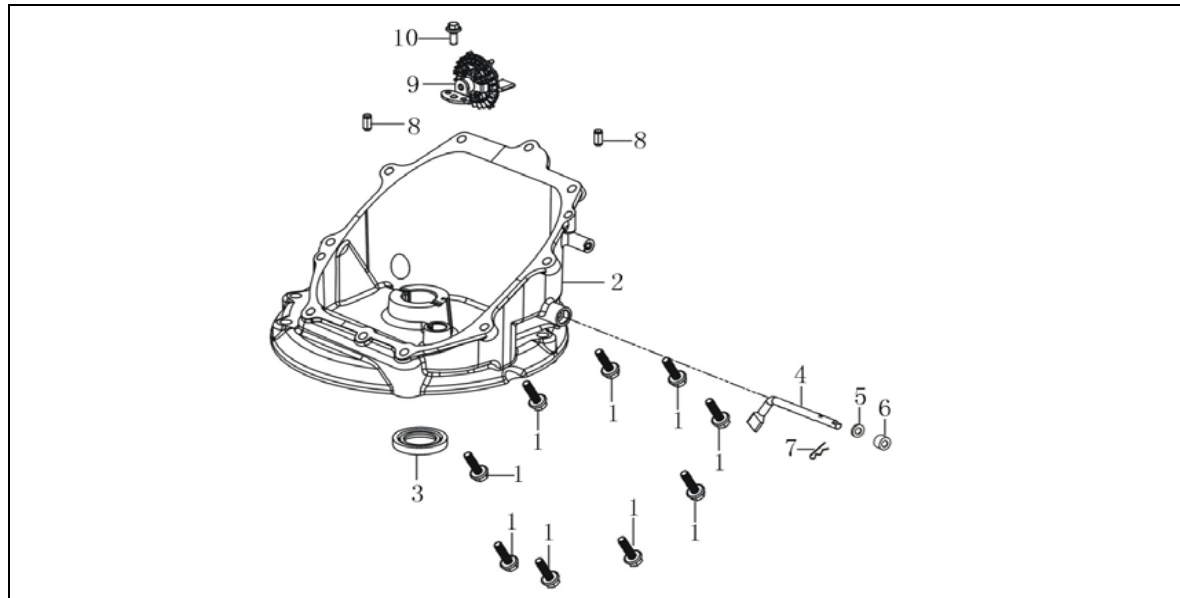


### CRANK CASE

No.	Part No.	Description	Reqd. QTY
1	U065-FA001	Hexagon shaft shoulder bolt	4
2	U065-FE002	Cylinder head cover	1
3	U065-FE003	Gasket for cylinder head cover	1
4	U065-FA004	Spark plug	1
5	U065-FE001	Crankcase body	1
6	U065-FA016	Oil seal	1
7	U065-FA097	Hexagon bolt with flange	3
8	U065-FE084	CAP, BREATHER CHAMBER	1
9	U065-FE085	PACKING, BREATHER CHAMBER	1
10	U065-FA017	Leaf valve	1
11	U065-FE086	Hexagon bolt with flange	1
12	U065-FE054	Stay stud	1
13	U065-FE052	Stay stud	2
14	U065-FE130	Side plate	1

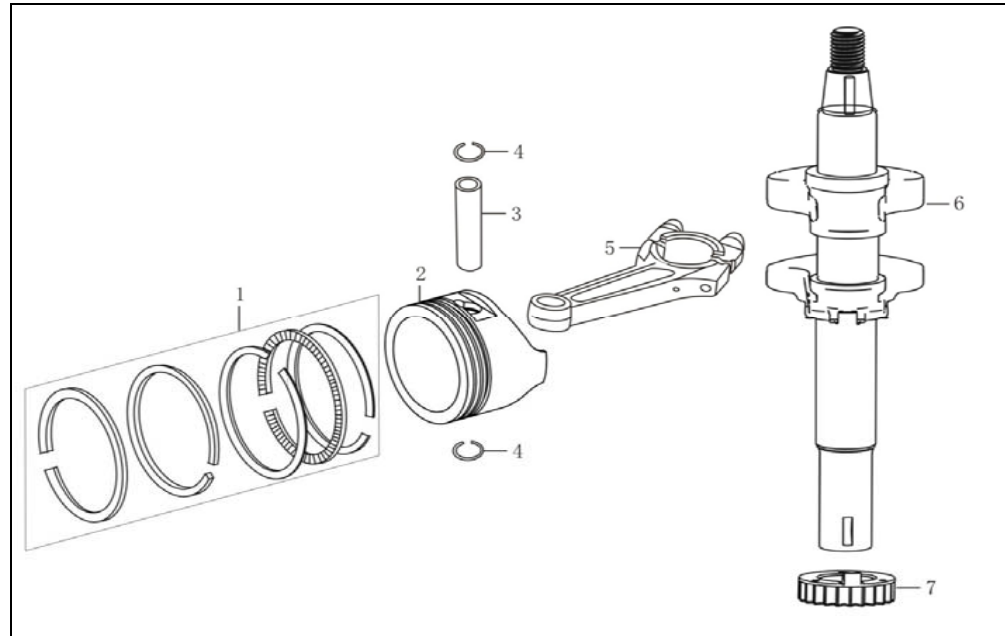


No.	Part No.	Description	Reqd. QTY.
15	U065-FE131	Engine brake	1
16	U065-FE088	Tension spring	1
17	U065-FE089	Stud	2
18	U065-FA044	Hexagon bolt with flange	1
19	U065-FE132	Oil rule combination	1
20	U065-FE087	Stud	2
21	U065-FE133	Bushing	1
22	U065-FE134	Side plate	1



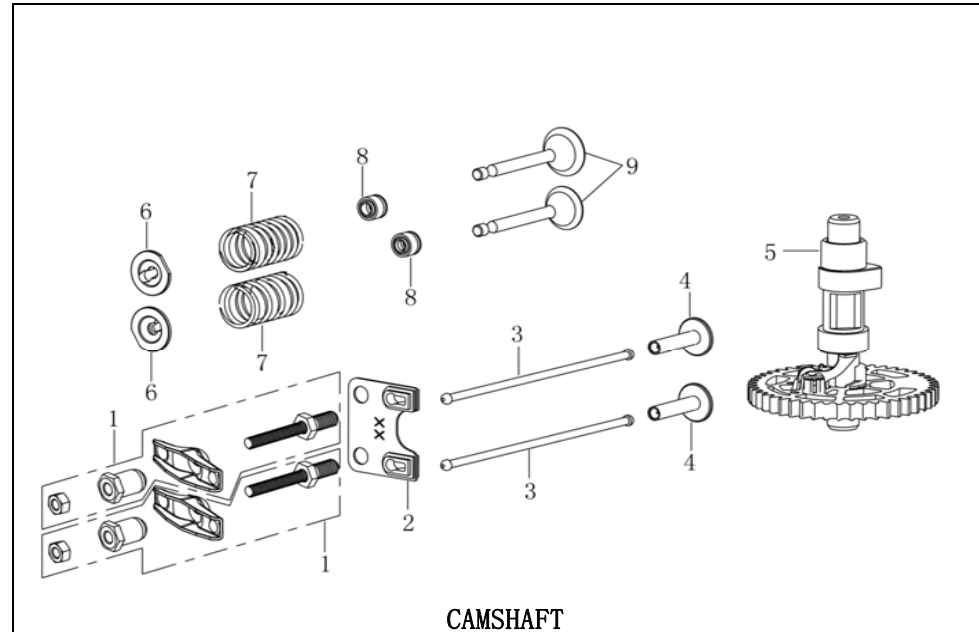
**Crankcase cover**

No.	Part No.	Part No.	Description	Reqd. QTY.
1	380140103-0004	U065-FE091	Hexagon bolt with flange	9
2	110820198-0001	U065-FE092	Crankcase cover	1
3	380650347-0001	U065-FA033	Oil seal	1
4	171630031-0001	U065-FE093	Speed regulating arm	1
5	380450527-0001	U065-FA027	Flat washer	1
6	380650338-0001	U065-FA028	Oil seal	1
7	381350004-0001	U065-FA029	Pin clip	1
8	380600241-0001	U065-FE094	ocation pin	2
9	171750039-0001	U065-FE095	Components of governor gear	1
10	380140167-0002	U065-FE016	Hexagon bolt with flange	1



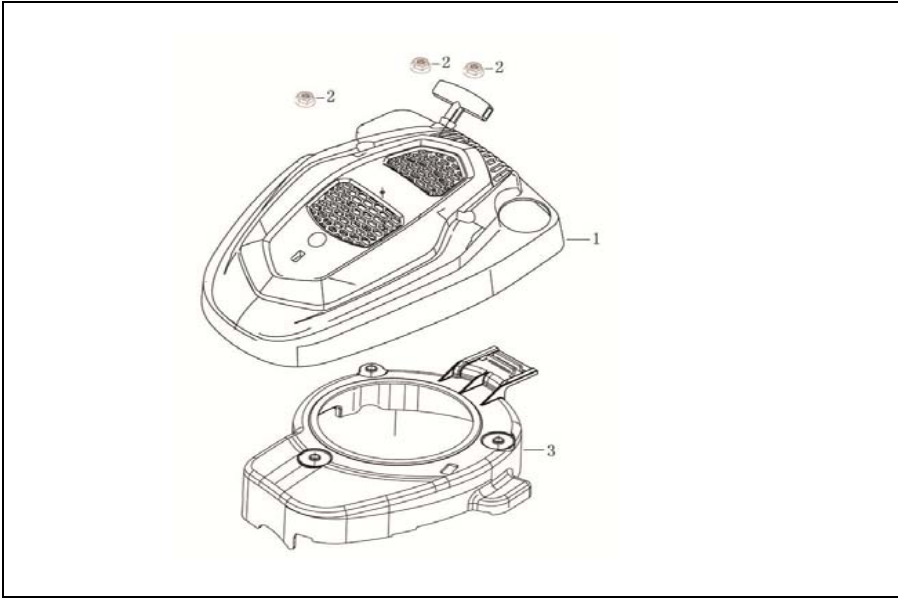
**CRANKSHAFT/PISTON**

No.	Part No.	Description	Reqd. QTY.
1	U065-FE096	Piston ring combination	1
2	U065-FE097	Piston	1
3	U065-FA047	Piston pin	1
4	U065-FA048	Steel cable baffle ring	2
5	U065-FE098	Connecting rod	1
6	U065-FE099	crankshaft	1
7	U065-FE100	Timing driving wheel	1



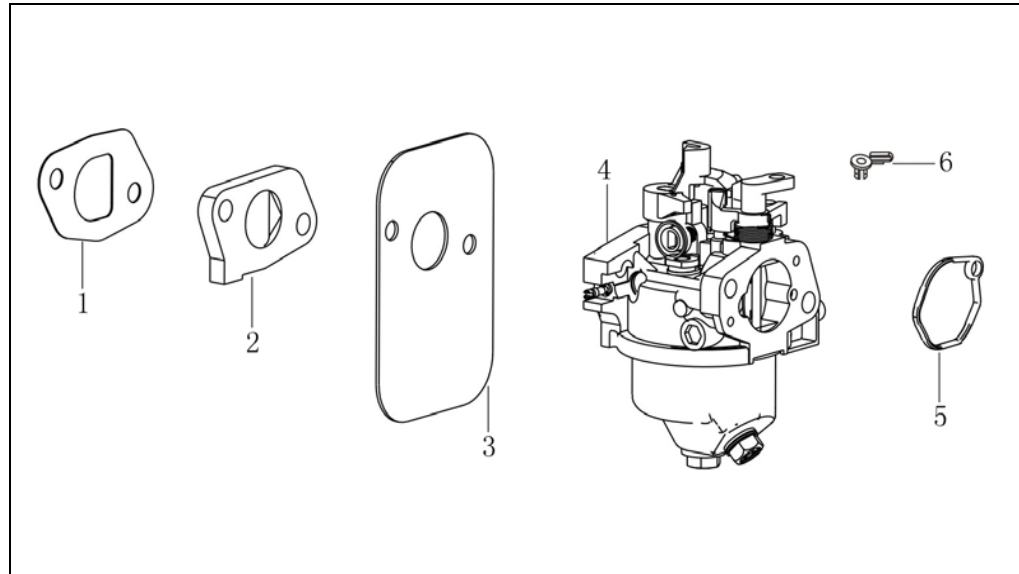
**CAMSHAFT**

No.	Part No.	Description	Reqd. QTY.
1	U065-FE004	Valve rocker combination	2
2	U065-FE101	Plate, push rod guide	1
3	U065-FA058	Push rod	2
4	U065-FE103	Lifter, Valve	2
5	U065-FE104	Camshaft assy	1
6	U065-FA054	Retainer, valve spring	2
7	U065-FE007	Inner spring of valve	2
8	U065-FE102	Valve oil seal	2
9	U065-FA056	Valve Kit	1



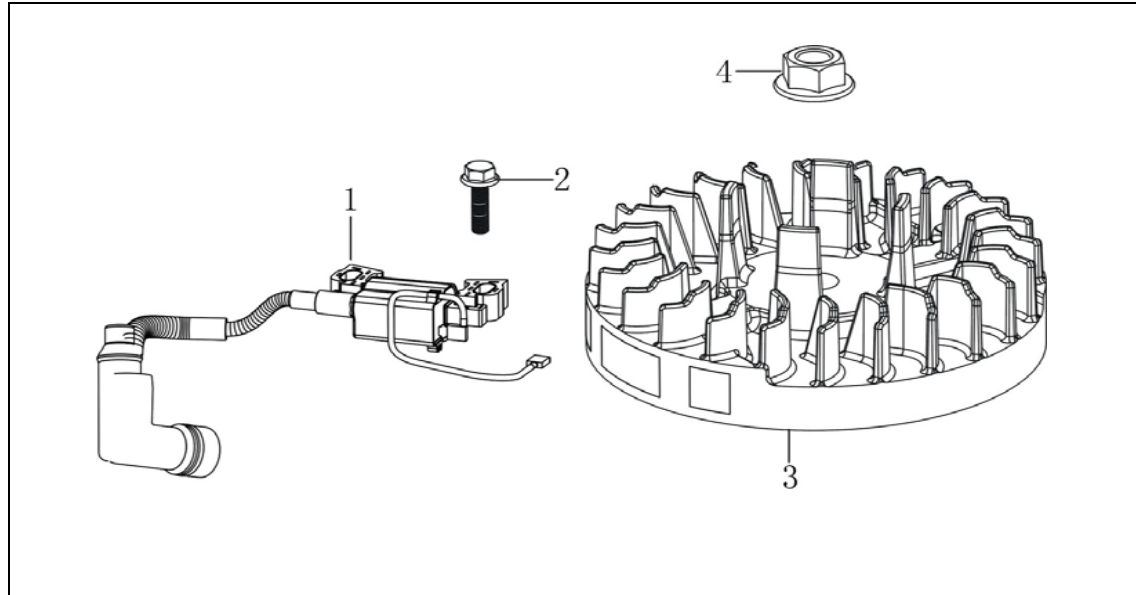
**STARTER**

No.	Part No.	Description	Reqd. QTY.
1	U065-FE135	Manual starting assembly	1
2	U065-FA065	Hexagon nut with flange	3
3	U065-FE107	Fan cover comp.	1



**CARBURETOR**

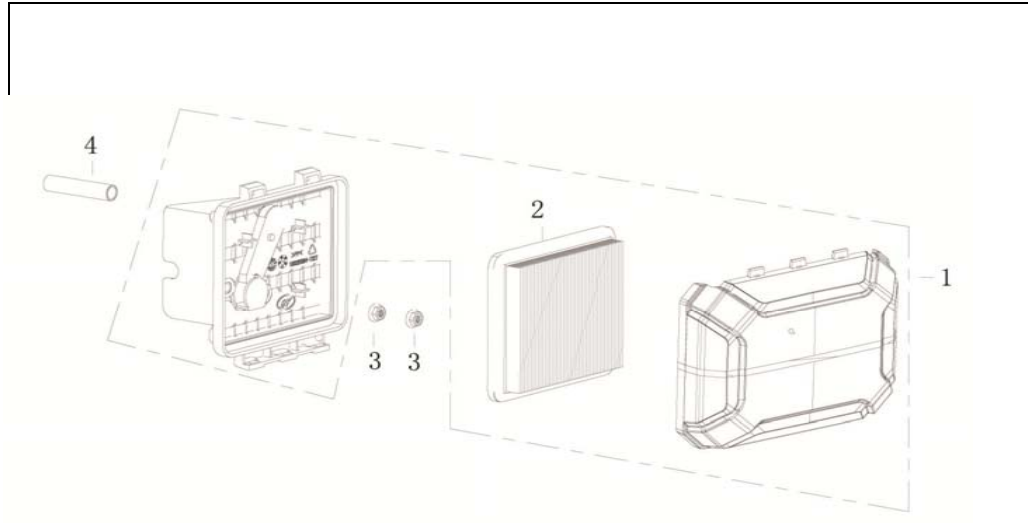
No.	Part No.	Description	Reqd. QTY.
1	U065-FA074	Carburetor gasket	1
2	U065-FE108	Heat insulating pad for carburetor	1
3	U065-FE061	Heat insulating plate for carburetor	1
4	U065-FE109	Carburetor	1
5	U070-FA039	Carburetor gasket	1
6	U065-FA073	Locker of choke valve pull rob	1



**FLYWHEEL/IGNITION COMP**

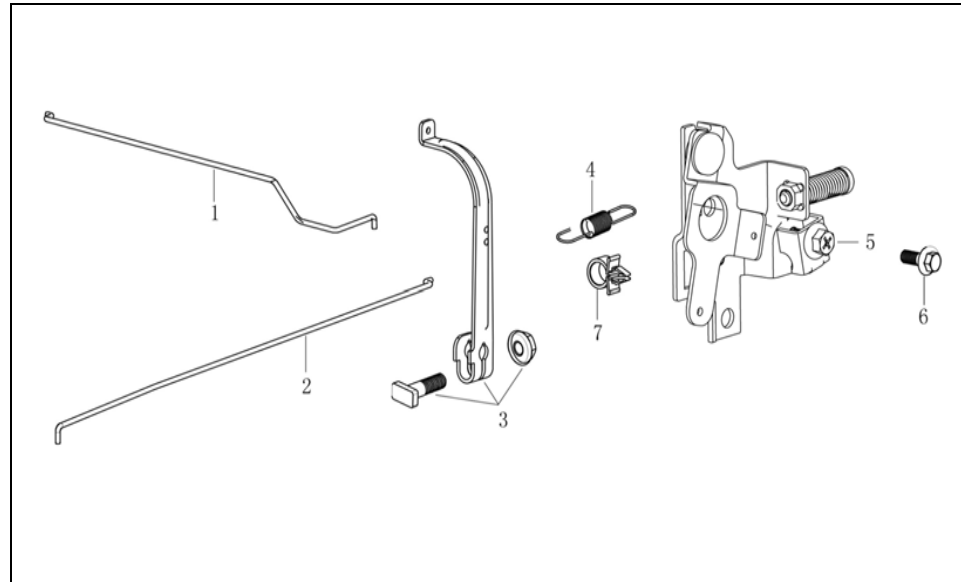
No.	Part No.	Part No.	Description	Reqd. QTY.
1	270920421-0001	U065-FE110	COIL ASSY., IGNITION	1
2	380140103-0004	U065-FE091	Hexagon bolt with flange	1
3	270020232-0002	U065-FE136	FLYWHEEL COMP	1
4	380370051-0001	U065-FA085	Hexagon nut with flange	1





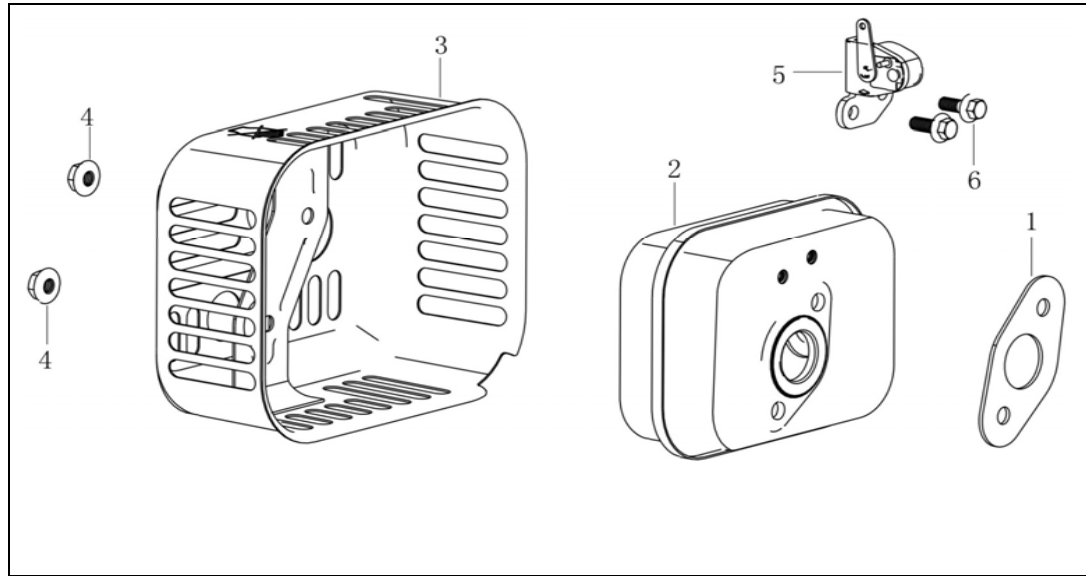
**AIR CLEANER**

No.	Part No.	Description	Reqd. QTY.
1	U065-FE113	Air filter	1
2	U065-FA087	Air filter element	1
3	U065-FA065	Hexagon nut with flange	2
4	U065-FE114	Breather tube	1



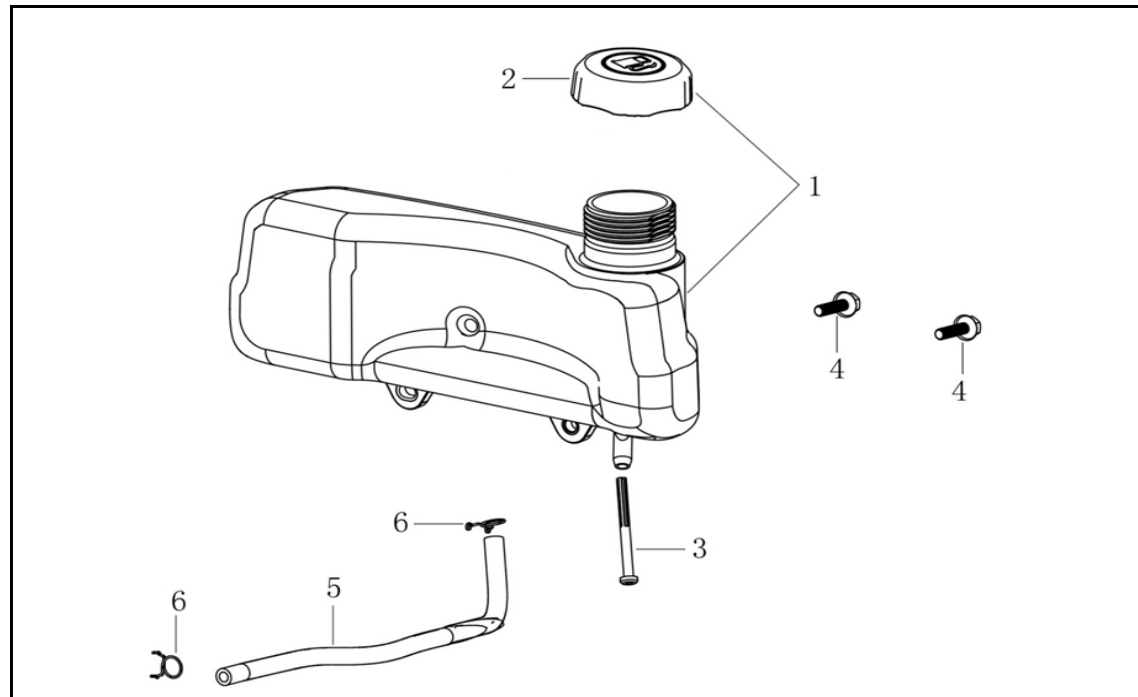
**CONTROL**

No.	Part No.	Description	Reqd. QTY.
1	U065-FE066	Choke valve pull rod	1
2	U065-FE115	Throttle rod	1
3	U065-FE036	Speed regulating bracket	1
4	U065-FE137	Governing spring	1
5	U065-FE138	Throttle handle combination	1
6	U065-FE016	Hexagon bolt with flange	1
7	U065-FA113	Location wire nail	1



**MUFFLER**

No.	Part No.	Description	Reqd. QTY.
1	U065-FE077	Muffler gasket	1
2	U065-FE118	Muffler	1
3	U065-FE119	Muffler guard shield	1
4	U065-FA100	Hexagon nut with flange	2
5	U065-FE065	Control components of choke valve	1
6	U065-FE016	Hexagon bolt with flange	2



### FUEL TANK

No.	Part No.	Description	Reqd. QTY.
1	U065-FE139	Tank	1
2	U065-FA106	Tank cover	1
3	U065-FE140	Fuel filter	1
4	U065-FA035	Hexagon bolt with flange	2
5	U070-FA057	Oil tube	1
6	U065-FA115	Pipe clip	2