

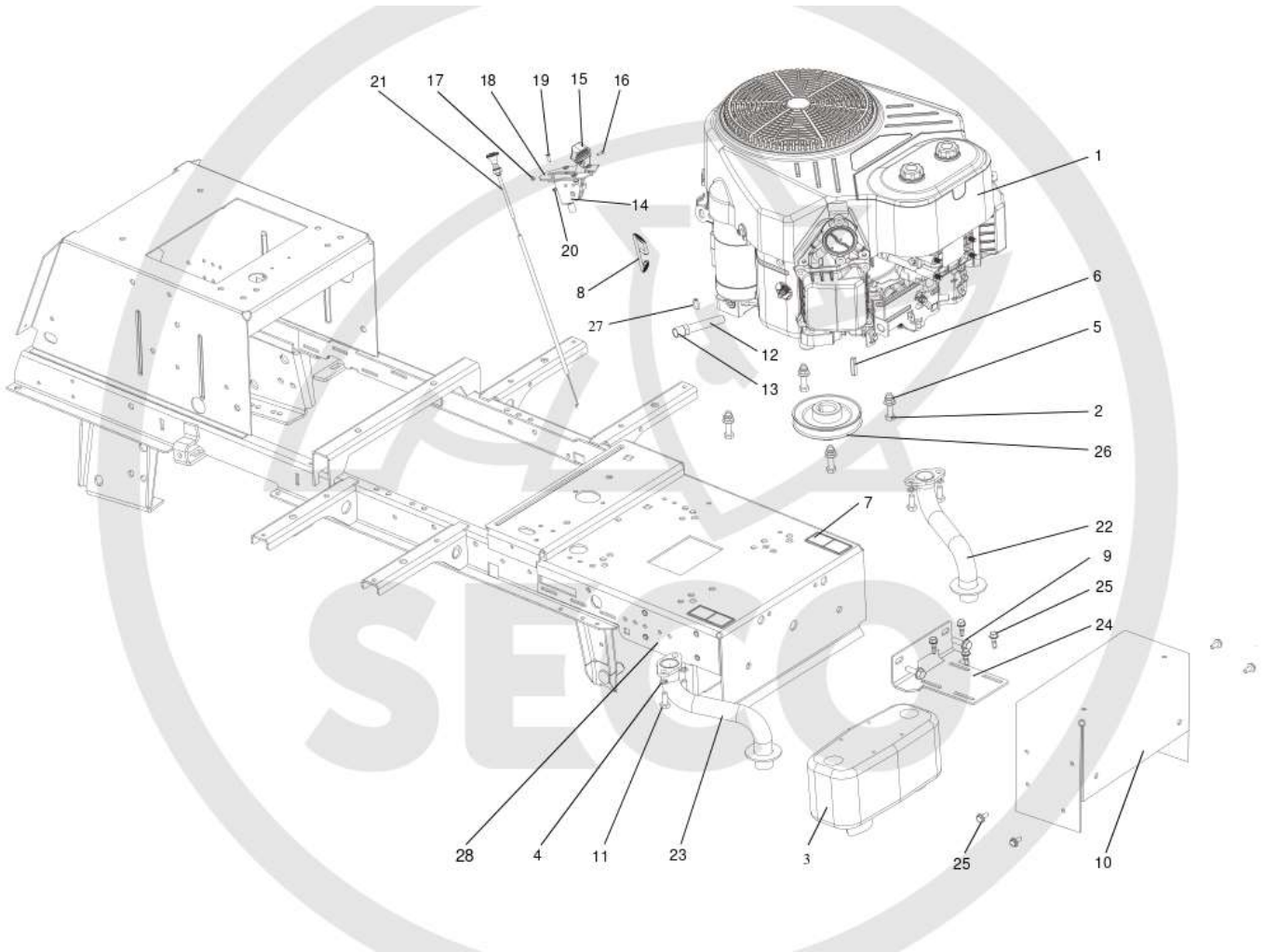
Obrázek není k  
dispozici



Model: KUJ1E-23-0001

Group: KUJ01-21-0012

ENGINE 22 HP CAIMAN UJ 4X4

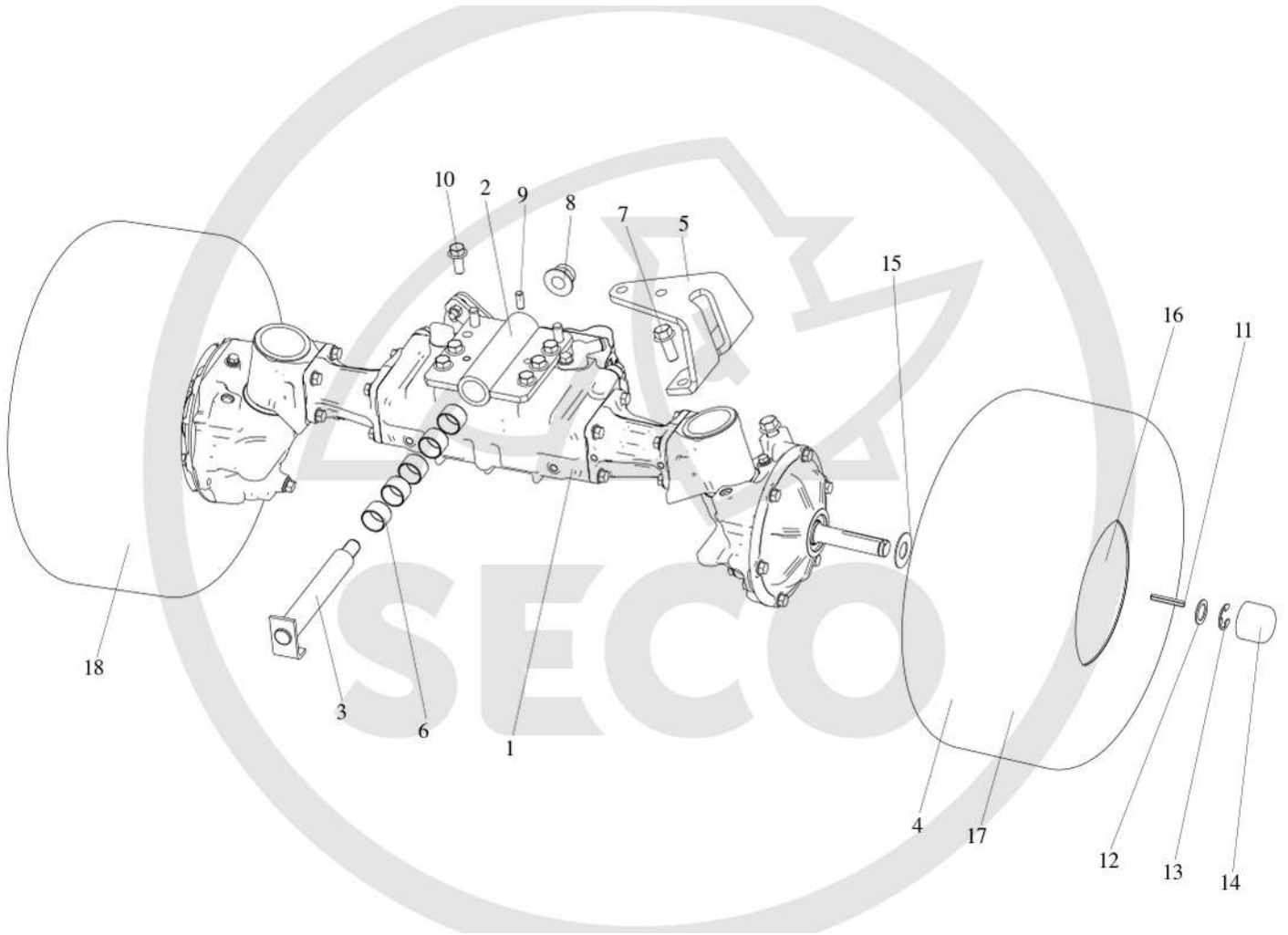


ID	Name	Item code	No.	UOM	Price
1	Engine 22HP Caiman CGE708cc	N482349031	1	KS	EUR /
2	Screw M 8X40	N309503544	4	KS	EUR /
3	Exhaust Nelson 24500 N-20 V-twin	N443900129	1	KS	EUR /
4	Washer 8	N311214502	4	KS	EUR /
5	Nut M 8 DIN 6926 8 Zinc	N532150290	4	KS	EUR /
6	Key 0-9231-213	N311726101	1	KS	EUR /
7	Label 0-8732-337	N283292223	2	KS	EUR /
8	HOOK 0-9242-240	N532980071	1	KS	EUR /
9	Screw M 8x25 DIN 7500 D	N309578540	2	KS	EUR /
10	Exhaust cover UJ V2	S532085422123	1	KS	EUR /
11	Screw M8X20	N309503518	4	KS	EUR /
12	Hose with cap	N532151253	1	KS	EUR /
13	Reducer to engine	N532151254	1	KS	EUR /
14	Throttle lever 9-8071-221 GAR-001	N000443006	1	KS	EUR /
15	Throttle lever 0-8060-244 black	N443900148	1	KS	EUR /
16	Screw M 4X14 021131.25	N309231535	1	KS	EUR /
17	Nut M4	N311129514	1	KS	EUR /
18	Reinforcement	S532080302873	1	KS	EUR /
19	Screw M 5X16	N309251515	4	KS	EUR /
20	Nut M5	N311129515	4	KS	EUR /
21	Choke MK01 9-8074-277	N443612011	1	KS	EUR /
22	Tube left 22/UJ 4x4	S532927442523	1	KS	EUR /
23	Tube right 22/UJ 4x4	S532927442533	1	KS	EUR /
24	Exhaust holder UJ 4x4	S532113402503	1	KS	EUR /
25	SCREW M 6X16 DIN 7500D BN 3326	N309578517	8	KS	EUR /
26	Engine pulley 9-3325-206 K664	N532151526	1	KS	EUR /
27	Hose clip 9W1 16-25 EURO	N548241028	1	KS	EUR /
28	Chassis compl. UJ/2016 4x4	S532912962853	1	KS	EUR /

Model: KUJ1E-23-0001

Group: KUJ03-22-0003

Front axle UJ 4x4



ID	Name	Item code	No.	UOM	Price
1	Axle front KXH 10N	N532991057	1	KS	EUR /
2	Axle holder complete	S532916262253	1	KS	EUR /
3	Pin complete	S532993122783	1	KS	EUR /
4	Wheel front 16x6.50-8 350 MAG	N532940167	2	KS	EUR /
5	Steering lever UJ 4x4	S532080422023	1	KS	EUR /
6	Bearing bushing WSM-2528-25W300	N323721015	5	KS	EUR /
7	Screw M 12x30 KL100 RIPP V.Dacrom	N309578552	2	KS	EUR /
8	Nut M 16 DIN 6926	N311129527	1	KS	EUR /
9	Pin 8X20 A	N311515079	2	KS	EUR /
10	Screw M10X25KL100 Ripp. V. DACROM	N309578529	6	KS	EUR /
11	Key 0-9231-223	N311726098	2	KS	EUR /
12	Washer	S532092207583	2	KS	EUR /
13	Lock ring E-75 3/4	N311732023	2	KS	EUR /
14	Cover 32X25 Vinyl-Flex	N532150753	2	KS	EUR /
15	Washer	S532192208673	2	KS	EUR /
16	Wheel disc 5.50AX8H2 OTRSK21.06	N325111027	2	KS	EUR /
17	Tyre front 16x6.50-8 350 MAG Turf	N274161031	2	KS	EUR /

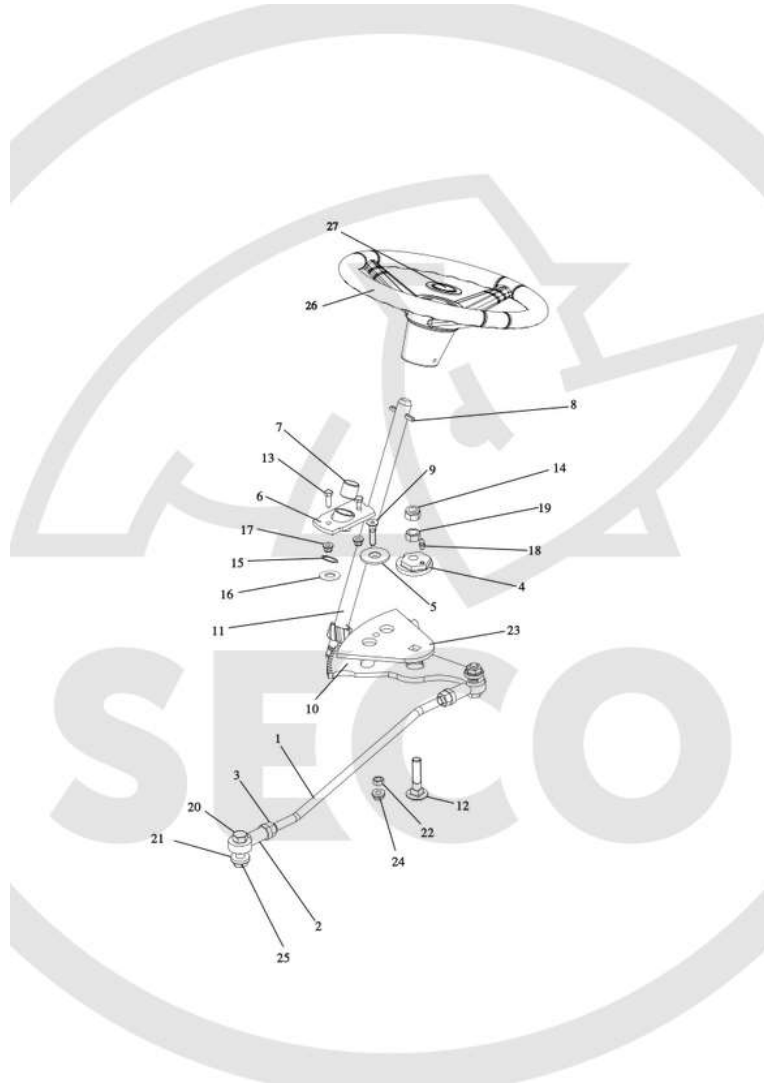
Model:

KUJ1E-23-0001

Group:

KUJ05-16-0001

Steering UJ-4x4

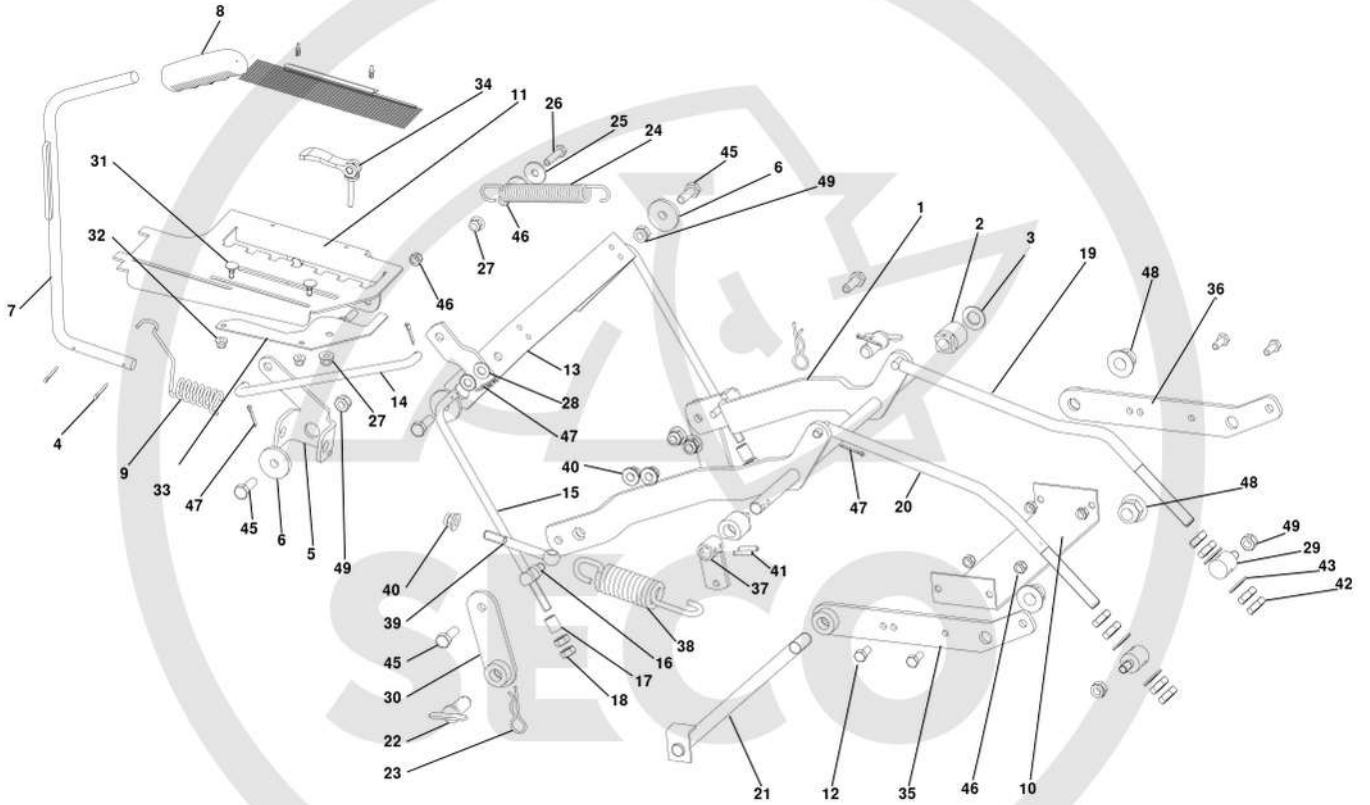


ID	Name	Item code	No.	UOM	Price
1	Steering connecting rod	N532151525	1	KS	EUR /
2	Joint head PHS 12 CN	N442073028	2	KS	EUR /
3	Nut M 12	N311150505	2	KS	EUR /
4	Eccentric	S532080272033	1	KS	EUR /
5	Spacer	S532195202593	1	KS	EUR /
6	Bearing	S532938542103	1	KS	EUR /
7	Bushing 1920 KU	N323721002	1	KS	EUR /
8	Spring pin 6x45	N315238031	1	KS	EUR /
9	Screw M 8x35 DIN 7991 10.9 Zinc	N309578534	1	KS	EUR /
10	Toothed Segment	S532033322453	1	KS	EUR /
11	Pinion compl.	S532930252043	1	KS	EUR /
12	Screw M 12X55.8.8 A3L ISO 8677	N309019522	1	KS	EUR /
13	Screw M 6X20	N309503548	2	KS	EUR /
14	Nut M 12	N311129505	1	KS	EUR /
15	Lock ring 19	N311733607	1	KS	EUR /
16	Washer	S532092202053	1	KS	EUR /
17	Nut M 6 DIN 6926	N311129525	2	KS	EUR /
18	Lubricating head MK 6x1	N425111004	1	KS	EUR /
19	Nut M 12	N311150505	1	KS	EUR /
20	Screw M12X40	N309503505	2	KS	EUR /
21	Washer 12	N311214504	2	KS	EUR /
22	Nut M 8	N311150503	1	KS	EUR /
23	WASHER	S532113326353	1	KS	EUR /
24	Nut M8 DIN 6923 8 Zinc. toothed	N311129520	1	KS	EUR /
25	Nut M 12 DIN 6923 8 Zinc. toothed	N311129521	2	KS	EUR /
26	Steering wheel 0-8020-201 UJ2014	N443821011	1	KS	EUR /
27	Steering-wheel cover 0-8516-201	N532151344	1	KS	EUR /

Model: KUJ1E-23-0001

Group: KUJ06-21-0002

Mowing lifting UJ



katalóg 0-9091-237  
pro katalóg 0-9091-232 odmazat ucite pozice



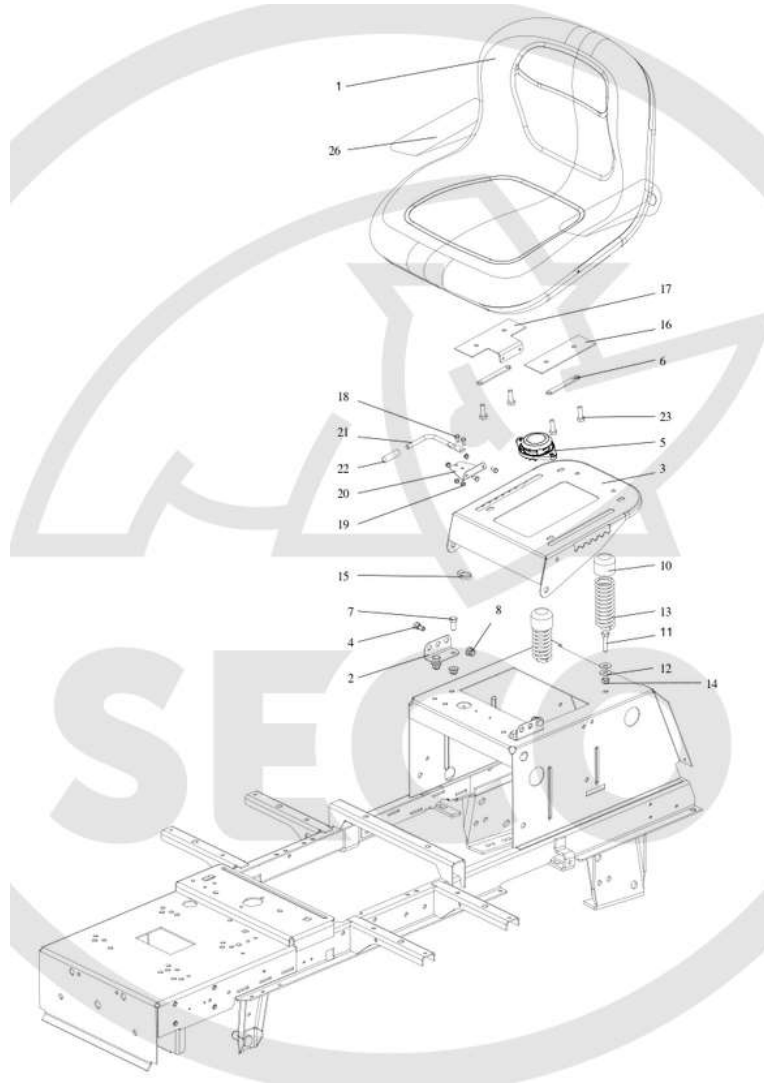
ID	Name	Item code	No.	UOM	Price
1	Lifting arms UJ	S532980508293	1	KS	EUR /
2	Case 0-9462-203	N722643024	2	KS	EUR /
3	Washer 17	N311210507	1	KS	EUR /
4	Spindle 3.2x25	N311338517	2	KS	EUR /
5	Lever holder	S532113415563	1	KS	EUR /
6	WASHER	S532092212293	3	KS	EUR /
7	Lifting lever	S532980412183	1	KS	EUR /
8	Handrail 0-8832-202	N532151357	1	KS	EUR /
9	Spring 0-9746-504 lifting	N315231265	1	KS	EUR /
10	Holder	S532080503673	1	KS	EUR /
11	Lifting segment 1to1	S532113422253	1	KS	EUR /
12	Screw M8X20	N309503518	4	KS	EUR /
13	Lifting holder	S532913413323	1	KS	EUR /
14	Lifting rod 0-8041-201 UJ	N532151358	1	KS	EUR /
15	Lifting rod 0-8041-346	N532151359	2	KS	EUR /
	Pin	S532090162083	2	KS	EUR /
17	Spacer	S532095213823	2	KS	EUR /
18	Nut M 10	N311150506	4	KS	EUR /
19	Lifting tie-rod L	S532980422503	1	KS	EUR /
20	Lifting tie-rod R	S532980422493	1	KS	EUR /
21	Lifting shaft UJ	S532938122583	1	KS	EUR /
22	Pin complete	S532993462343	2	KS	EUR /
23	Flexible spindle 0-9245-999	N315238003	2	KS	EUR /
24	Spring 0-9746-460	N315231193	1	KS	EUR /
25	Washer 9 Zinc	N311212517	2	KS	EUR /
26	Screw M 8X35	N309503543	3	KS	EUR /
27	Nut M 8 DIN 6926 8 Zinc	N532150290	2	KS	EUR /
28	Washer 10.5	N311210504	4	KS	EUR /
29	Screw	S532090162063	2	KS	EUR /
30	Lifting arm	S532980322193	2	KS	EUR /
31	Screw M6X16	N309019507	2	KS	EUR /
32	Nut M 6 DIN 6926	N311129525	2	KS	EUR /
33	Lifting backstop 1TO1	S532013322083	1	KS	EUR /
34	Excentric lever 04232-211108x30	N532151360	1	KS	EUR /
35	Lifting arm R	S532980508313	1	KS	EUR /
36	Lifting arm L	S532980508303	1	KS	EUR /
37	Lifting arm spring	S532980365413	1	KS	EUR /
38	Spring 0-9746-507 Lifting	N315231269	1	KS	EUR /
39	Screw M 10x90 DIN 444-4.6	N309510001	1	KS	EUR /
40	Nut M 10 DIN 6926 Zinc	N311129523	5	KS	EUR /
41	Spring pin 6x26 ISO 8748	N315238059	3	KS	EUR /
42	Nut M 14	N311120542	8	KS	EUR /
43	Washer 15	N311210511	4	KS	EUR /

44	Not used in this performance	NK00000000	2 KS	EUR /
45	Screw M 10X30	N309503510	5 KS	EUR /
46	Nut M 8	N311129501	7 KS	EUR /
47	Spindle 3.2x20	N311338516	6 KS	EUR /
48	Nut M 16 DIN 6926	N311129527	3 KS	EUR /
49	Nut M 10	N311129502	5 KS	EUR /

Model: KUJ1E-23-0001

Group: KUJ11-22-0003

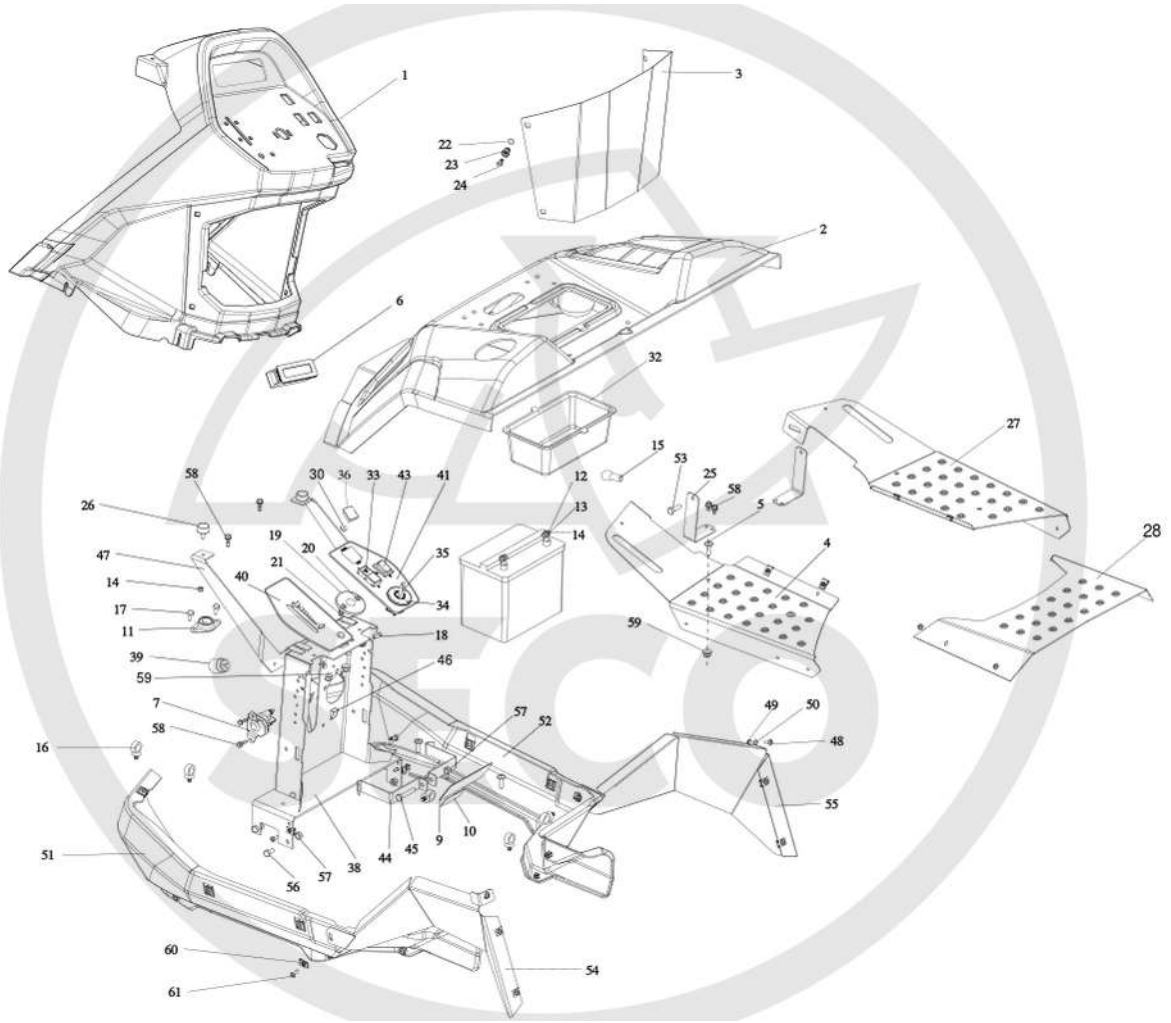
Hood nr.1 MILSCO XB180 UJ



ID	Name	Item code	No.	UOM	Price
1	Seat SP 480 Milsco	N532150988	1	KS	EUR /
2	Carrier holder	S532113402403B	2	KS	EUR /
3	Seat carrier	S532018474683	1	KS	EUR /
4	Carrier screw 0-9016-427	N309599012	2	KS	EUR /
5	Seat switch DELTA 6500-02	N532150990	1	KS	EUR /
6	Distance washer	S532092322053	2	KS	EUR /
7	Screw M 8X25 DIN 6921 8.8 Zinc	N309578011	4	KS	EUR /
8	Nut M 8 DIN 6926 8 Zinc	N532150290	6	KS	EUR /
9	Not used in this performance	NK00000000	4	KS	EUR /
10	Cover 38/A PVC Black	N532150208	2	KS	EUR /
11	Screw M 8X25	N309503512	2	KS	EUR /
12	Washer 9 Zinc	N311212517	4	KS	EUR /
13	Spring 0-9746-441	N315231274	2	KS	EUR /
14	Nut M 8	N311129501	2	KS	EUR /
15	Clip WSBH 1-0-1	N532150211	1	KS	EUR /
16	Seat holder	S532113302013	1	KS	EUR /
17	Seat holder	S532113402073	1	KS	EUR /
18	Screw M 5x10	N309203545	4	KS	EUR /
19	Nut M5	N311129515	4	KS	EUR /
20	Seat spring	S532097402283	1	KS	EUR /
21	Seat tie rod 0-8043-310	N532151356	1	KS	EUR /
22	Cover 8X40 Vinyl-Flex black	N532150209	1	KS	EUR /
23	Screw M 8x25 DIN 7500 D	N309578540	4	KS	EUR /
24	Not used in this performance	NK00000000	2	KS	EUR /
25	Not used in this performance	NK00000000	2	KS	EUR /
26	Arm rests C 7494 BS	N532150989	1	SD	EUR /

Model: KIJ1E-23-0001  
Group: KIJ15-23-0010

Dashboard 1T01 UJ



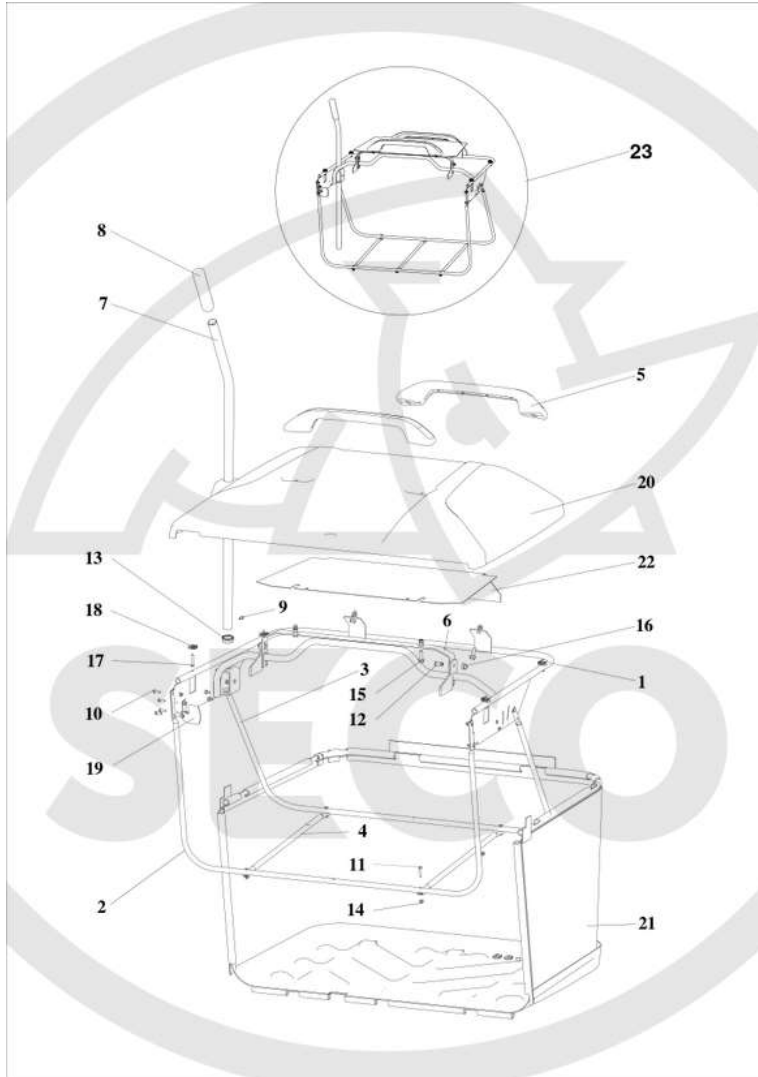
ID	Name	Item code	No.	UOM	Price
1	Dashboard 0-8048-362 1TO1 excl.	N532151873	1	KS	EUR /
2	Double fender 9-1847-326 1to1	N532151833	1	KS	EUR /
1	Battery cover 1to1	S532085472493	1	KS	EUR /
4	Foot-floor left/3 1to1	S532018472273	1	KS	EUR /
5	Screw M 8x25 ISO 7380-2	N309578565	4	KS	EUR /
6	Display KS004162 2023	N443433016	1	KS	EUR /
7	Solenoid Trombetta 764-1221-210	N532151619	1	KS	EUR /
8	Not used in this performance	NK00000000	1	KS	EUR /
9	Label 0-8732-336	N283292228	1	KS	EUR /
10	Label. 0-8732-864	N283292718	1	KS	EUR /
11	Ball BEARING FL M12	N324196022	1	KS	EUR /
12	Screw M 6X20	N309503548	2	KS	EUR /
13	Washer 6.4	N311210502	2	KS	EUR /
14	Nut M 6	N311129513	4	KS	EUR /
15	Cover 273 125 020 050	N273125006	2	KS	EUR /
16	Clip WSBH 1-0-1	N532150211	9	KS	EUR /
17	Screw M 8X25	N309503512	2	KS	EUR /
18	Screw M 5x12 DIN 7500D BN3326	N309578544	1	KS	EUR /
19	Steering wheel bushing 0-1652-226	N321841069	1	KS	EUR /
20	Screw M 6X25 DIN7991 10.9 Zinc	N309578503	2	KS	EUR /
21	Nut M 6 DIN 6926	N311129525	2	KS	EUR /
22	Ring 10x1,8 NBR SH 80	N273111104	4	KS	EUR /
23	Seating D7-201-802-010	N532150903	4	KS	EUR /
24	Pin D7-201-711-010	N532150904	4	KS	EUR /
25	Foot-floor holder 1TO1 2022	S532113413153	2	KS	EUR /
26	Silentblock backstop M6x18-25x12	N273192074	2	KS	EUR /
27	Foot-floor right/3 1to1	S532018472293	1	KS	EUR /
28	Foot-floor middle/3 1TO1	S532018472303	1	KS	EUR /
29	Not used in this performance	NK00000000	1	KS	EUR /
30	Ring 26x2	N273111038	1	KS	EUR /
31	Not used in this performance	NK00000000	1	KS	EUR /
32	Case 0-8642-236	N532151194	1	KS	EUR /
33	Switch VDD2S001 9ZZCR 100	N345329023	1	KS	EUR /
34	Switch box Delta 6900-47 P	N443861007	1	KS	EUR /
35	Starting key DELTA 688P-001	N443900137	1	SD	EUR /
36	Blind flange VL 35X25X1-3 black	N321841085	1	KS	EUR /
37	Not used in this performance	NK00000000	1	KS	EUR /
38	Steering column UJ	S532916422013	1	KS	EUR /
39	Buzzer PF 27 A 29 EP	N443312021	1	KS	EUR /
40	Label 1-8732-848 panel V2	N283293604	1	KS	EUR /
41	Sticker 1-8732-838 Dash-board R	N283293596	1	KS	EUR /
42	Not used in this performance	NK00000000	1	KS	EUR /
43	Switch 1932.3413	N345329025	1	KS	EUR /

44	BATTERY HOLDER	S532113425353	2	KS	EUR /
45	Screw M8x45	N309503559	1	KS	EUR /
46	Blind flange G 20X15 (europlast)	N321841093	2	KS	EUR /
47	Panel reinforcement 1TO1	S532113422263	1	KS	EUR /
48	Screw M 5x16 ISO 7380 8.8	N309578532	2	KS	EUR /
49	Nut M 5 DIN 6926 Zinc	N311129524	2	KS	EUR /
50	Washer 5.3	N311212511	2	KS	EUR /
51	Cover, upper L 0-8547-251 1TO1	N532151834	1	KS	EUR /
52	Cover, upper L 0-8547-251 1TO1	N532151835	1	KS	EUR /
53	Screw M8x20 DIN 7500D BN 3326	N309578009	2	KS	EUR /
54	Fender, rear L 1TO1	S532113422283	1	KS	EUR /
55	Fender, rear R 1TO1	S532113422293	1	KS	EUR /
56	Screw M 8X16	N309503517	6	KS	EUR /
57	Nut M 8	N311129501	7	KS	EUR /
58	Screw M 6x12 DIN 7500 BN 3326	N309578546	8	KS	EUR /
59	Nut M 8 DIN 6926 8 Zinc	N532150290	6	KS	EUR /
60	Shell Nut M5 8366220000	N311101002	18	KS	EUR /
61	Screw M 5x16 ISO 7380-2 black Zn	N309578566	18	KS	EUR /

Model:  
Group:

KUJ1E-23-0001  
KUJ16-23-0003

Grasscollector UJ 380L



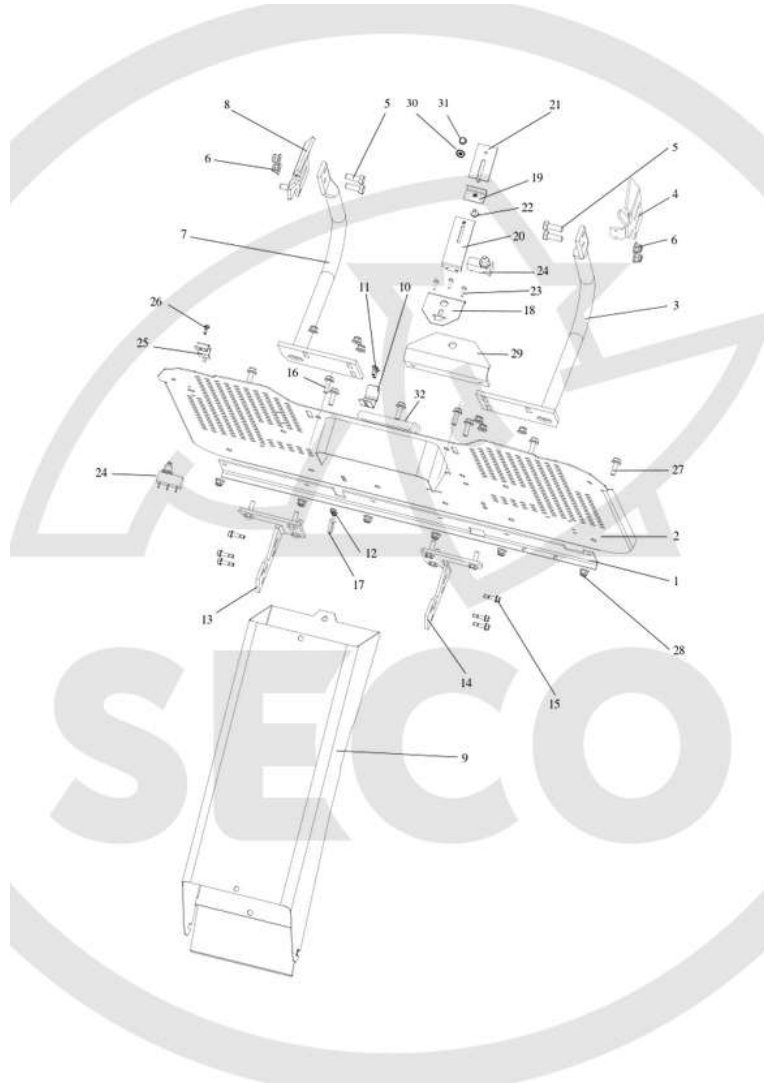


ID	Name	Item code	No.	UOM	Price
1	Frame upper UJ 1to1	S532974472833	1	KS	EUR /
2	Tube, front 1to1	S532074442383	1	KS	EUR /
3	Tube, rear 1to1	S532074442393	1	KS	EUR /
4	TRUBKA SPOJOVACÍ 380L 1TO1	S532074262153	3	KS	EUR /
5	Handle compl. 9-1346-243	N532151743	2	KS	EUR /
6	Reinforcement	S532015408543	1	KS	EUR /
7	Lever Dumping	S532074202013	1	KS	EUR /
8	Handle 0-8832-203	N532151744	1	KS	EUR /
9	Screw M 6x10 DIN 7500 D	N309578545	1	KS	EUR /
10	Screw M 5X16	N309203539	10	KS	EUR /
11	Bolt M 5X25	N309203557	6	KS	EUR /
12	Screw M 8X20 BN 1206	N309578535	2	KS	EUR /
13	Stopper, round 25MMx1 3 MM 111039	N532151505	1	KS	EUR /
14	Nut M 5 DIN 6926 Zinc	N311129524	16	KS	EUR /
15	Screw M 8X25 KL 100 RIPP V Zinc	N309503005	4	KS	EUR /
16	Nut M 8 DIN 6926 8 Zinc	N532150290	2	KS	EUR /
17	Screw M 5x30 DIN 6921 RIPP	N309578564	4	KS	EUR /
18	Shell Nut M5 8366220000	N311101002	4	KS	EUR /
19	Grass box-spring Snapper	S532097402233	1	KS	EUR /
20	Grass box lid 9-7447-298 1TO12022	N532151872	1	KS	EUR /
21	Grass bag 9-7432-228/380L 1TO1	N532151740	1	KS	EUR /
22	Shield, grass-box 1to1	S532085412133	1	KS	EUR /
23	Grass box frame UJ 380 I 1TO1	S532986022363	1	KS	EUR /

Model: KUJ1E-23-0001

Group: KUJ17-23-0001

Grassbox plate + tunnel UJ 102

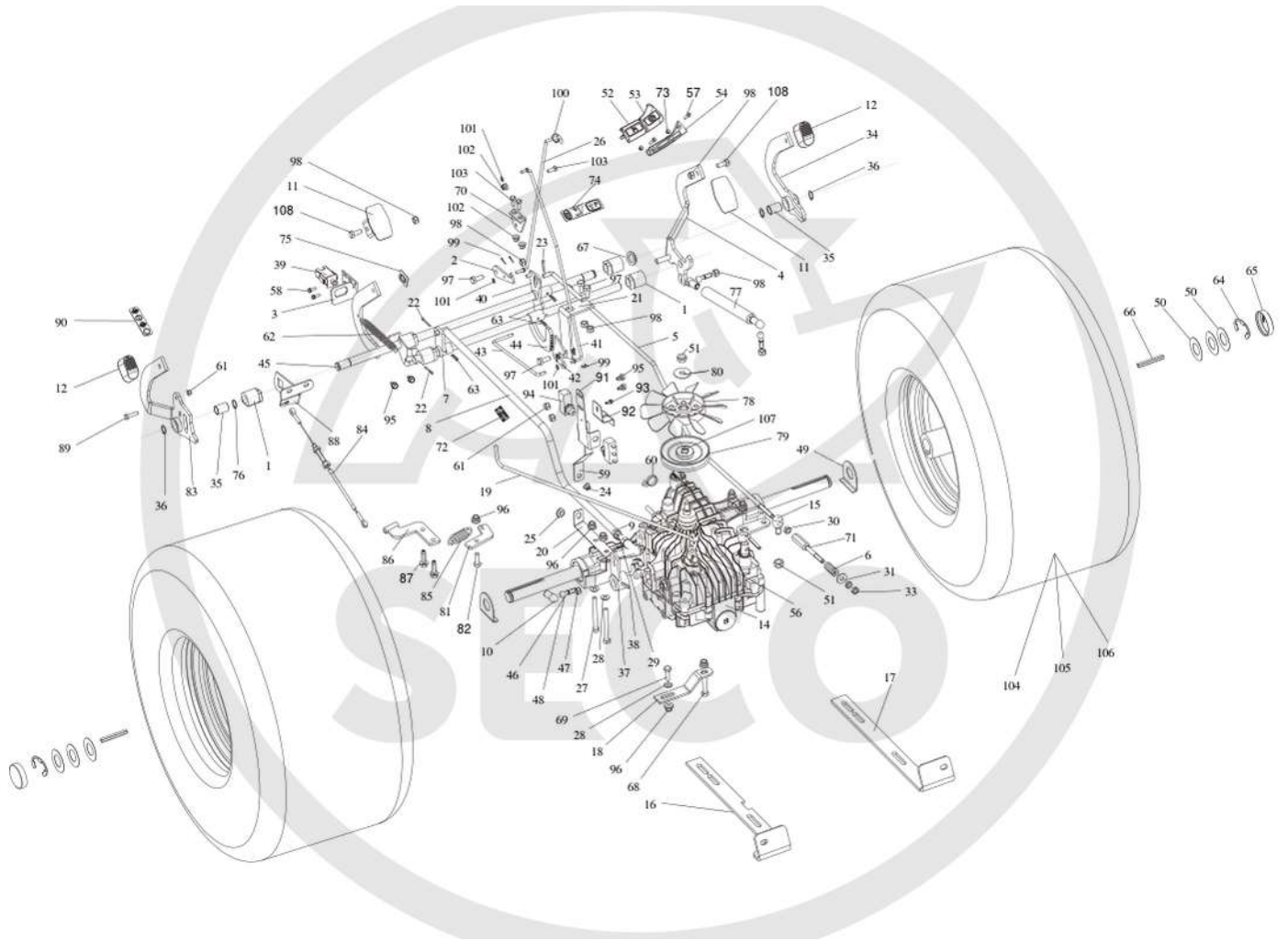


ID	Name	Item code	No.	UOM	Price
1	Reinforcement	S532113403233	1	KS	EUR /
2	Board compl. 1to1	S532974422483	1	KS	EUR /
3	Holder left UJ	S532974432523	1	KS	EUR /
4	Holder left UJ	S532913362033	1	KS	EUR /
5	Screw M 10X30	N309503510	4	KS	EUR /
6	Nut M 10 DIN 6926 Zinc	N311129523	4	KS	EUR /
7	Holder right UJ	S532974432513	1	KS	EUR /
8	Holder right UJ	S532913362043	1	KS	EUR /
9	Discharge tunnel UJ102	S532974472723	1	KS	EUR /
10	Spring	S532097464993	1	KS	EUR /
11	Screw M 5X16 Zinc	N309019514	2	KS	EUR /
12	Nut M 5 DIN 6923 8 Zn toothed	N311129532	2	KS	EUR /
13	Plate holder right	S532913405713	1	KS	EUR /
14	Plate holder left	S532913405723	1	KS	EUR /
15	SCREW M 6X16 DIN 7500D BN 3326	N309578517	6	KS	EUR /
16	Screw M8x25 DIN 6921 with teeth	N309578555	2	KS	EUR /
17	Clip WSBH 1-0-1	N532150211	3	KS	EUR /
18	Plug plate	S532114302043	1	KS	EUR /
19	Holder	S532113408353	1	KS	EUR /
20	Plug plate	S532014417343	1	KS	EUR /
21	Plug plate	S532014417353	1	KS	EUR /
22	Screw M 6x10 KL 100 RIPP Zinc	N309503579	1	KS	EUR /
23	Screw M 6x10 DIN 7500 D	N309578545	3	KS	EUR /
24	Microswitch MKH 12 D 13-S1	N345359004	2	KS	EUR /
25	Switch cover	S532085415813	1	KS	EUR /
26	Screw M 5x12 DIN 7500D BN3326	N309578544	1	KS	EUR /
27	Screw M 8X25 DIN 6921 8.8 Zinc	N309578011	6	KS	EUR /
28	Nut M 8 DIN 6926 8 Zinc	N532150290	12	KS	EUR /
29	Tow hitch	S532113402453	1	KS	EUR /
30	Control head 0-8060-201	N532151790	1	KS	EUR /
31	Screw M6X16	N309503508	1	KS	EUR /
32	Edging with steel fibre 22-6784-1	N273232022	0	M	EUR /

Model: KIJ1E-23-0001

Group: KIJ18-23-0004

Drive and brake control UJ



ID	Name	Item code	No.	UOM	Price
1	Case 0-9462-203	N722643024	5	KS	EUR /
1	Latch	S532037322233	1	KS	EUR /
3	Switch holder	S532113402693	1	KS	EUR /
4	Travel lever UJ	S532980442663	1	KS	EUR /
5	Brake rod 0-8041-202 K62	N532151369	1	KS	EUR /
6	Spring TLZ 250.150.0530 Zinc	N315231240	1	KS	EUR /
7	Arm complete	S532980364823	1	KS	EUR /
8	Travel lever	S532980422023	1	KS	EUR /
9	Nut M 10	N311150506	1	KS	EUR /
10	Ball bushing 16DIN71805B ZnBN489	N442073005	1	KS	EUR /
11	Foot pedal plastic 0-8051-202	N532151568	2	KS	EUR /
12	Pedal cover 0-8832-234	N273151013	2	KS	EUR /
13	Not used in this performance	NK00000000	1	KS	EUR /
14	Transmission K664 E Tuff Torq	N532991058	1	KS	EUR /
15	Screw	S532090164473	1	KS	EUR /
16	Plate holder left	S532113408693	1	KS	EUR /
17	Plate holder right	S532113408703	1	KS	EUR /
18	Gear-box holder K46/K62 UJ	S532113412043	1	KS	EUR /
19	Bypass rod 0-8041-204	N532151370	1	KS	EUR /
20	Bypass holder K62	S532113402063	1	KS	EUR /
21	Safety pin holder	S532113408673	1	KS	EUR /
22	Spindle 3.2x25	N311338517	5	KS	EUR /
23	Spindle 3.2x20	N311338516	1	KS	EUR /
24	Nut M 10 DIN 6926 Zinc	N311129523	1	KS	EUR /
25	Rubber sleeve 9x2	N273121014	1	KS	EUR /
26	Latch tie rod 0-8042-210 1to1	N532151747	1	KS	EUR /
27	Screw M 8x85	N309501573	4	KS	EUR /
28	Washer 8.4	N311210503	5	KS	EUR /
29	Washer 10.5	N311210504	1	KS	EUR /
30	Nut M 8	N311150503	1	KS	EUR /
31	Washer 8.4	N311210503	1	KS	EUR /
32	Not used in this performance	NK00000000	1	KS	EUR /
33	Nut M 8	N311120520	2	KS	EUR /
34	Reverse pedal UJ	S532980463483	1	KS	EUR /
35	Bushing 1625 KU	N323721006	2	KS	EUR /
36	Ring 16	N311733006	4	KS	EUR /
37	LEVER - COMPLETE	S532929462053	1	KS	EUR /
38	Spring pin 6X40	N315238049	1	KS	EUR /
39	Seat switch Delta 6440-04	N000532079	1	KS	EUR /
40	Brake foot complete	S532980365403	1	KS	EUR /
41	Cruise-control tie rod 0-8042-211	N532151748	1	KS	EUR /
42	Cruise control latch	S532037322253	1	KS	EUR /
43	Rod of Cruise-control resetting	N532151724	1	KS	EUR /

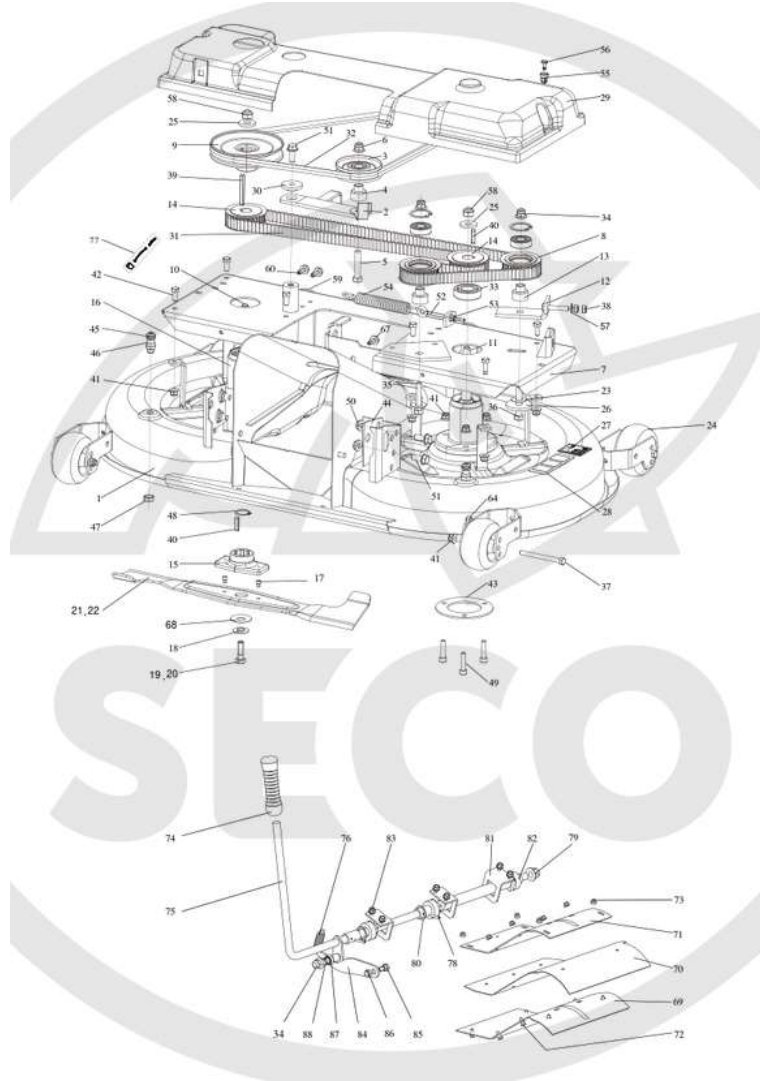
44	Cruise control ratchet	S532937362103	1	KS	EUR /
45	Brake pedal UJ	S532980442653	1	KS	EUR /
46	Zinc Angle Joint 16Din	N442073003	1	KS	EUR /
47	Nut M 10 DIN 6923 8 Zinc. toothed	N311129516	1	KS	EUR /
48	SAFETY U - STRAP 16 DIN 71805 S Z	N442073006	1	KS	EUR /
49	Washer	S532092208553	2	KS	EUR /
50	Washer	S532092208083	10	KS	EUR /
51	Nut M 10	N311129502	2	KS	EUR /
52	Cruise-control lever 0-8066-205	N443900162	1	KS	EUR /
53	Parking lever 0-8066-206 1to1	N443900160	1	KS	EUR /
54	Lever holder,cc.&brake 0-8066-207	N443900161	1	KS	EUR /
55	Not used in this performance	NK00000000	1	KS	EUR /
56	Washer 6.4	N311210502	1	KS	EUR /
57	Screw M 5x25 DIN7991 10.9 Zinc	N309578510	2	KS	EUR /
58	Screw M 5x12 DIN 7500D BN3326	N309578544	2	KS	EUR /
59	Reset spring	S532097412053	1	KS	EUR /
60	Clip WSBH 1-0-1	N532150211	1	KS	EUR /
61	Nut M 6	N311129513	2	KS	EUR /
62	Spring 0-9746-445	N315231161	1	KS	EUR /
63	Spring pin 5x22 ISO 8748	N315238058	3	KS	EUR /
64	Lock ring SE-98 1	N311732024	2	KS	EUR /
65	Cap 0-8025-201 49x25	N532151655	2	KS	EUR /
66	Key 0-9231-224	N311726100	2	KS	EUR /
67	Washer 17	N311210507	2	KS	EUR /
68	Bolt M5x35	N309503556	1	KS	EUR /
69	Screw M 8X25 DIN 6921 8.8 Zinc	N309578011	1	KS	EUR /
70	Ratchet holder	S532113408683	1	KS	EUR /
71	Screw 0-8011-246 K62	N309599043	1	KS	EUR /
72	Label 0-8732-311	N283292192	1	KS	EUR /
73	Nut M 5 DIN 6926 Zinc	N311129524	2	KS	EUR /
74	Label 0-8732-208 Travel	N283293028	1	KS	EUR /
75	Label 1-8732-363 Brake	N283293029	1	KS	EUR /
76	Washer 16X22X1 DIN 988 L 07	N311219496	2	KS	EUR /
77	Travel damper K22 621 100 006	N532151429	1	KS	EUR /
78	Fan P/N 5069481-01	N532150414	1	KS	EUR /
79	Travel pulley	S532933252883	1	KS	EUR /
80	Washer 11	N311212507	1	KS	EUR /
81	Foot complete	S532980365163	1	KS	EUR /
82	Screw M 8X25	N309503512	1	KS	EUR /
83	Diff-lock pedal UJ	S532980462163	1	KS	EUR /
84	Cable connection diff-lock	N443900154	1	KS	EUR /
85	Spring 0-9746-493 Diff.lock	N315231239	1	KS	EUR /
86	Holder	S532913462813	1	KS	EUR /
87	Screw M8X30 DIN 7500D BN 3326	N309578518	2	KS	EUR /
88	Diff-lock & cable holder UJ	S532113402443	1	KS	EUR /

89	Screw M 6X25	N309503551	1	KS	EUR /
90	Label 1-8732-401 diff-lock UJ	N283293164	1	KS	EUR /
91	Switch holder UJ	S532014402173	1	KS	EUR /
92	Neutral-switch cover	S532014412013	1	KS	EUR /
93	Screw M 4X8 D 7500 D	N309578507	1	KS	EUR /
94	Microswitch MKH 12 D 13-S1	N345359004	2	KS	EUR /
95	Screw M 6x10 DIN 7500 D	N309578545	4	KS	EUR /
96	Nut M 8 DIN 6926 8 Zinc	N532150290	7	KS	EUR /
97	Screw M8X20	N309503518	4	KS	EUR /
98	Nut M 8	N311129501	8	KS	EUR /
99	Spindle 1.6x12	N311338513	8	KS	EUR /
100	Lock ring 14	N311733004	2	KS	EUR /
101	Washer 5.3	N311210501	8	KS	EUR /
102	Nut M 6 DIN 6926	N311129525	3	KS	EUR /
103	Screw M 6X20	N309503548	2	KS	EUR /
104	Wheel rear 20x10.00-8 350 MAG	N532940168	2	KS	EUR /
105	Wheel disc rear 7.00lx8H2 OTR SK2	N325111025	2	KS	EUR /
106	Tyre rear 20x10-8 350 MAG Turf	N274161032	2	KS	EUR /
107	Ring 26x2	N273111038	1	KS	EUR /
108	Screw M 8X20	N309543506	2	KS	EUR /

Model: KIJ1E-23-0001

Group: KIJ20-22-0005

Mowing unit UJ102





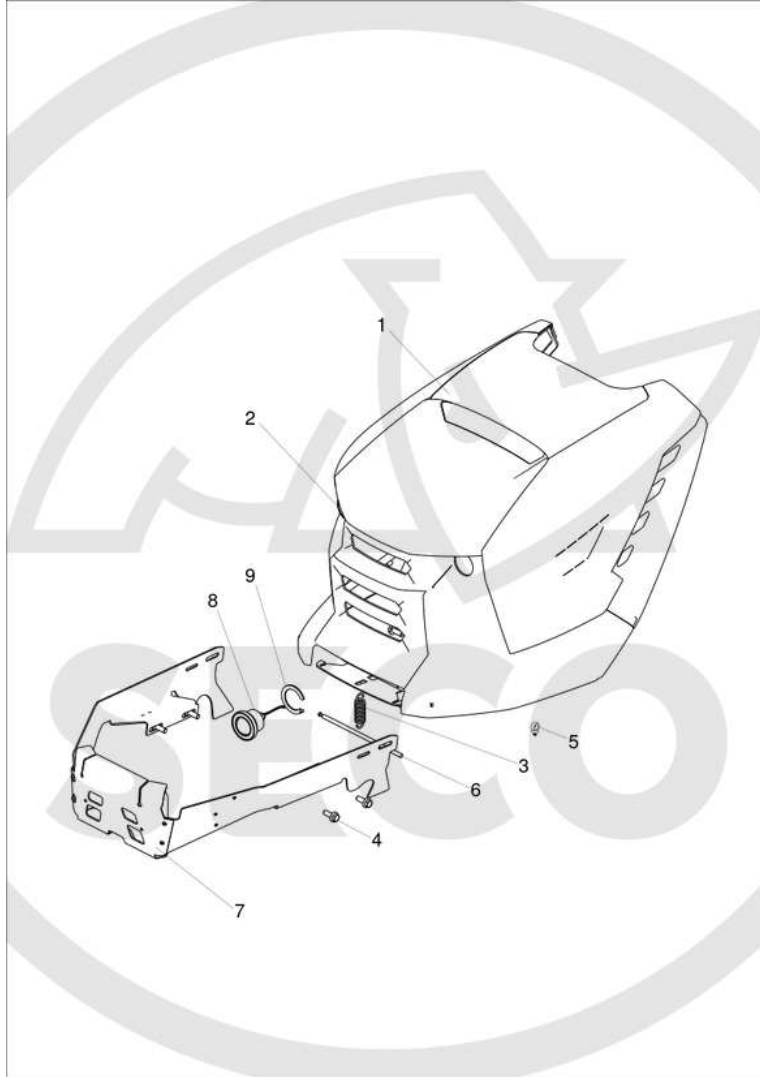
ID	Name	Item code	No.	UOM	Price
1	Blades cover compl. plug UJ	S532950472393	1	KS	EUR /
2	Holder compl.	S532913424393	1	KS	EUR /
3	Pulley Compensa C-00237/2	N532150784	1	KS	EUR /
4	Pulley spacer	S532094212013	1	KS	EUR /
5	Screw M 10X55	N309203525	1	KS	EUR /
6	Nut M 10 DIN 6926 Zinc	N311129523	3	KS	EUR /
7	Main board	S532985423963	1	KS	EUR /
8	Pulley 28 Z 9-3371-312	N532150836	2	KS	EUR /
9	Pulley compl. 9-3325-234	N532150165	1	KS	EUR /
10	Shaft	S532038128033	1	KS	EUR /
11	Shaft	S532038128023	1	KS	EUR /
12	Foot compl.	S532914412013	1	KS	EUR /
13	Pulley spacer	S532094212013	2	KS	EUR /
14	Pulley 9-3371-277	N532150860	2	KS	EUR /
15	Flange	S532098212403	2	KS	EUR /
16	Flange	S532038523833	2	KS	EUR /
17	Shear Stud 0-9311-736 ( 100 PCs )	N532980077	4	KS	EUR /
18	Washer	S532092207493	2	KS	EUR /
19	Screw 0-9011-283 M10 Left	N309599008	1	KS	EUR /
20	Screw 0-9011-287 M10	N309599017	1	KS	EUR /
21	Rotary blade left (102)	S532050422103	1	KS	EUR /
22	Rotary blade right (102)	S532050422113	1	KS	EUR /
23	Washer	S532092202133	5	KS	EUR /
24	Cutting wheel Etop 100-8,2	N532940128	4	KS	EUR /
25	Washer	S532092207273	2	KS	EUR /
26	Washer	S532092207533	1	KS	EUR /
27	Label 0-8732-559 Noise 100 dB	N283292437	1	KS	EUR /
28	Decal-safety 0-8730-510	N283292121	2	KS	EUR /
29	Pulley cover 0-8547-206 102	N532151373	1	KS	EUR /
30	WASHER	S532092212293	1	KS	EUR /
31	Two-sided toothed belt 1760	N272211006	1	KS	EUR /
32	V-belt B 17x1425 Li BBT	N272731239	1	KS	EUR /
33	Bearing 6205 2 RS C 66IB	N324162099	4	KS	EUR /
34	Nut M 10 DIN 6926 Zinc	N311129523	2	KS	EUR /
35	Screw M 10X55	N309203525	1	KS	EUR /
36	Screw M 10X60	N309503577	1	KS	EUR /
37	Screw M 8X90	N309501567	4	KS	EUR /
38	Nut M 8	N311150503	2	KS	EUR /
39	Tongue 6E7x6x63	N311726086	1	KS	EUR /
40	Key 6E7X6X28	N311726091	3	KS	EUR /
41	Nut M 8 DIN 6926 8 Zinc	N532150290	16	KS	EUR /
42	Screw M8X20	N309503518	6	KS	EUR /
43	Cutting reinforcement	S532098203373	2	KS	EUR /

44	Cutting foot	S532014417363	2	KS	EUR /
45	Quick fastener 0-9026-246	N532150533	2	KS	EUR /
46	Ring 10.78X2.62 NBR 70-SH	N273111057	2	KS	EUR /
47	Nut M 12	N311120511	2	KS	EUR /
48	Lock ring 25	N311733014	2	KS	EUR /
49	Screw M 8X35	N309503543	6	KS	EUR /
50	Nut M10 RIPP KL 10 BN 2798	N311129522	4	KS	EUR /
51	Screw M10X25KL100 Ripp. V. DACROM	N309578529	5	KS	EUR /
52	Screw M 6x80 with eye BN1006 Zinc	N309578523	1	KS	EUR /
53	Nut M 6 DIN 6926	N311129525	1	KS	EUR /
54	Spring 0-9746-460	N315231193	1	KS	EUR /
55	Seating D7-201-802-010	N532150903	2	KS	EUR /
56	Pin D7-201-711-010	N532150904	2	KS	EUR /
57	Washer 9 Zinc	N311212517	1	KS	EUR /
58	Nut M 12	N311129505	2	KS	EUR /
59	Backstop	S532114322063	2	KS	EUR /
60	SCREW M 6X16 DIN 7500D BN 3326	N309578517	4	KS	EUR /
61	Not used in this performance	NK00000000	1	KS	EUR /
62	Not used in this performance	NK00000000	1	KS	EUR /
63	Not used in this performance	NK00000000	1	KS	EUR /
64	Not used in this performance	NK00000000	1	KS	EUR /
65	Not used in this performance	NK00000000	1	KS	EUR /
66	Not used in this performance	NK00000000	1	KS	EUR /
67	Screw M 8x16 DIN 7500 D BN3326	N309578520	2	KS	EUR /
68	Washer BN 806-40x16.3x2x3.1	N311219503	2	KS	EUR /
69	Plug UJ	S532980422523	1	KS	EUR /
70	Shield 0-9632-206 UJ T1	N273192062	1	KS	EUR /
71	Holder	S532113412143	1	KS	EUR /
72	Screw M 5X12	N309203548	8	KS	EUR /
73	Nut M 5 DIN 6926 Zinc	N311129524	8	KS	EUR /
74	Handle 511-035-14 (32x114) black	N532151195	1	KS	EUR /
75	Plug lever UJ	S532980412013	1	KS	EUR /
76	Spring 0-9746-506 2.25	N315231267	1	KS	EUR /
77	Label 1-8732-485 plug control UJ	N283293263	1	KS	EUR /
78	Spring pin 4x28	N315238008	2	KS	EUR /
79	Nut M 12 DIN 6926	N311129526	1	KS	EUR /
80	Washer 22x30x1 DIN 988	N311219529	2	KS	EUR /
81	Plug holder	S532113402743	3	KS	EUR /
82	Bushing 0-9462-201	N722643022	3	KS	EUR /
83	Screw M 6x12 DIN 7500 BN 3326	N309578546	6	KS	EUR /
84	Foot, plug locking UJ	S532013322063	1	KS	EUR /
85	Carrier screw 0-9016-427	N309599012	1	KS	EUR /
86	Nut M 8	N311129501	1	KS	EUR /
87	Bearing 61800 2RS	N324162101	1	KS	EUR /
88	Washer 10x14x2 BN 739	N311219528	1	KS	EUR /

Model: KUJ1E-23-0001

Group: KUJ21-23-0003

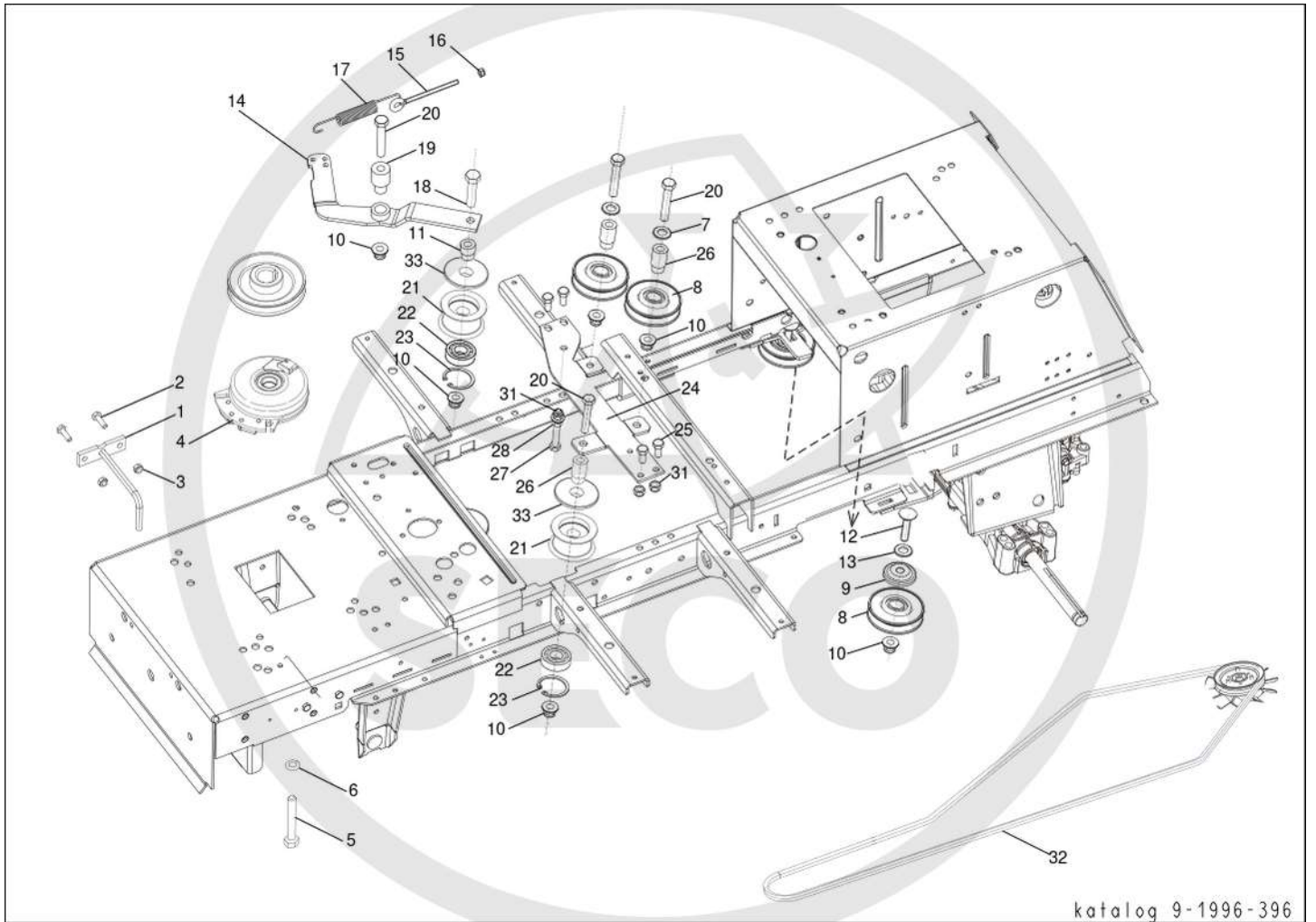
Engine hood UJ



ID	Name	Item code	No.	UOM	Price
1	Hood compl. 9-1849-495 1TO1 2022	N532151871	1	KS	EUR /
2	Lights connection KS004137 1to1	N341271222	1	KS	EUR /
3	Spring 0-9746-472	N315231203	1	KS	EUR /
4	Screw M 10x25 DIN 6921	N309578554	4	KS	EUR /
5	Clip WSBH 1-0-1	N532150211	3	KS	EUR /
6	Safety bar	S532013102143	1	KS	EUR /
7	Bumper design 1TO1 2022 UJ	S532918452203	1	KS	EUR /
8	Light, main KS004133	N341271220	2	KS	EUR /
9	Arrestment ring KS004132	N341271221	2	KS	EUR /

Model: KIJ1E-23-0001  
Group: KIJ22-22-0009

Elmg.Clutch and pulley

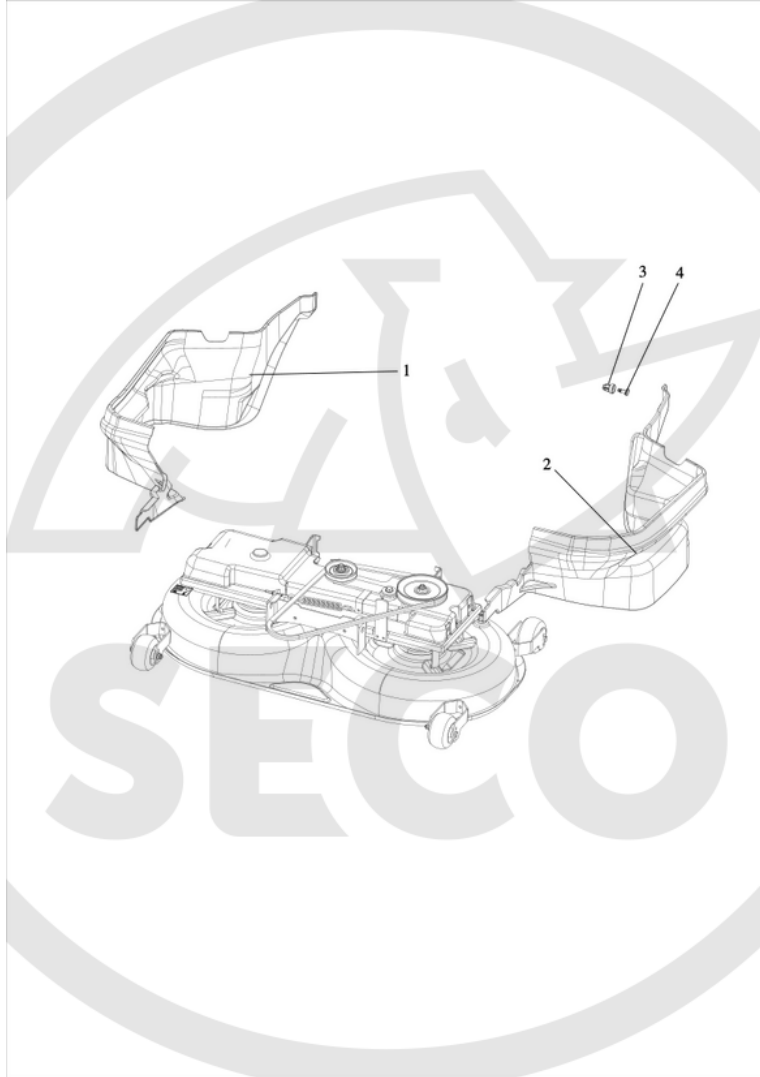


ID	Name	Item code	No.	UOM	Price
1	Clutch stopper	S532936362273	1	KS	EUR /
2	Screw M 6X20	N309503548	2	KS	EUR /
3	Nut M 6 DIN 6926	N311129525	2	KS	EUR /
4	Elmag. clutch I-5217-38	N532151196	1	KS	EUR /
5	Screw UNF 7/16"X3" 10.9 ZINK	N309579511	1	KS	EUR /
6	Washer NL 11 glued Dacromet	N311219516	1	KS	EUR /
7	Washer 10.5	N311210504	2	KS	EUR /
8	Pulley Compensa C-00237/1	N532150824	4	KS	EUR /
9	Cover C-00693 Compensa	N532151119	2	KS	EUR /
10	Nut M 10 DIN 6926 Zinc	N311129523	7	KS	EUR /
11	Tension pulley case	S532094214533	1	KS	EUR /
12	Screw M10X45 021319 Zinc	N309019531	2	KS	EUR /
13	Washer 13	N311210505	2	KS	EUR /
14	Travel-tension holder	S532913323073	1	KS	EUR /
15	Screw M 6x80 with eye BN1006 Zinc	N309578523	1	KS	EUR /
16	Nut M 6	N311129513	1	KS	EUR /
17	Spring 0-9746-497	N315231270	1	KS	EUR /
18	Screw M 10x45	N309203544	1	KS	EUR /
19	Bushing	S532094216023	1	KS	EUR /
20	Screw M 10X60	N309503577	4	KS	EUR /
21	Pulley tensioning 9-3325-296	N532151361	2	KS	EUR /
22	Bearing 6203 2 RS C 66 IB	N324162098	1	KS	EUR /
23	Lock ring 40	N311733079	1	KS	EUR /
24	Guide pulley holder	S532113422033	1	KS	EUR /
25	Screw M8X20	N309503518	4	KS	EUR /
26	Bushing	S532094214173	3	KS	EUR /
27	Screw M 8X65	N309501536	1	KS	EUR /
28	Nut M 8	N311150503	2	KS	EUR /
29	Not used in this performance	NK00000000	1	KS	EUR /
30	Not used in this performance	NK00000000	1	KS	EUR /
31	Nut M 8	N311129501	5	KS	EUR /
32	KLÍN. ŘEMEN VB 13X2690LI OPTIBELT	N272731257	1	KS	EUR /
33	Bearing cover 0-8022-201	N532151639	2	KS	EUR /

Model: KUJ1E-23-0001

Group: KUJ23-21-0003

Mowing unit no.2 UJ102/122



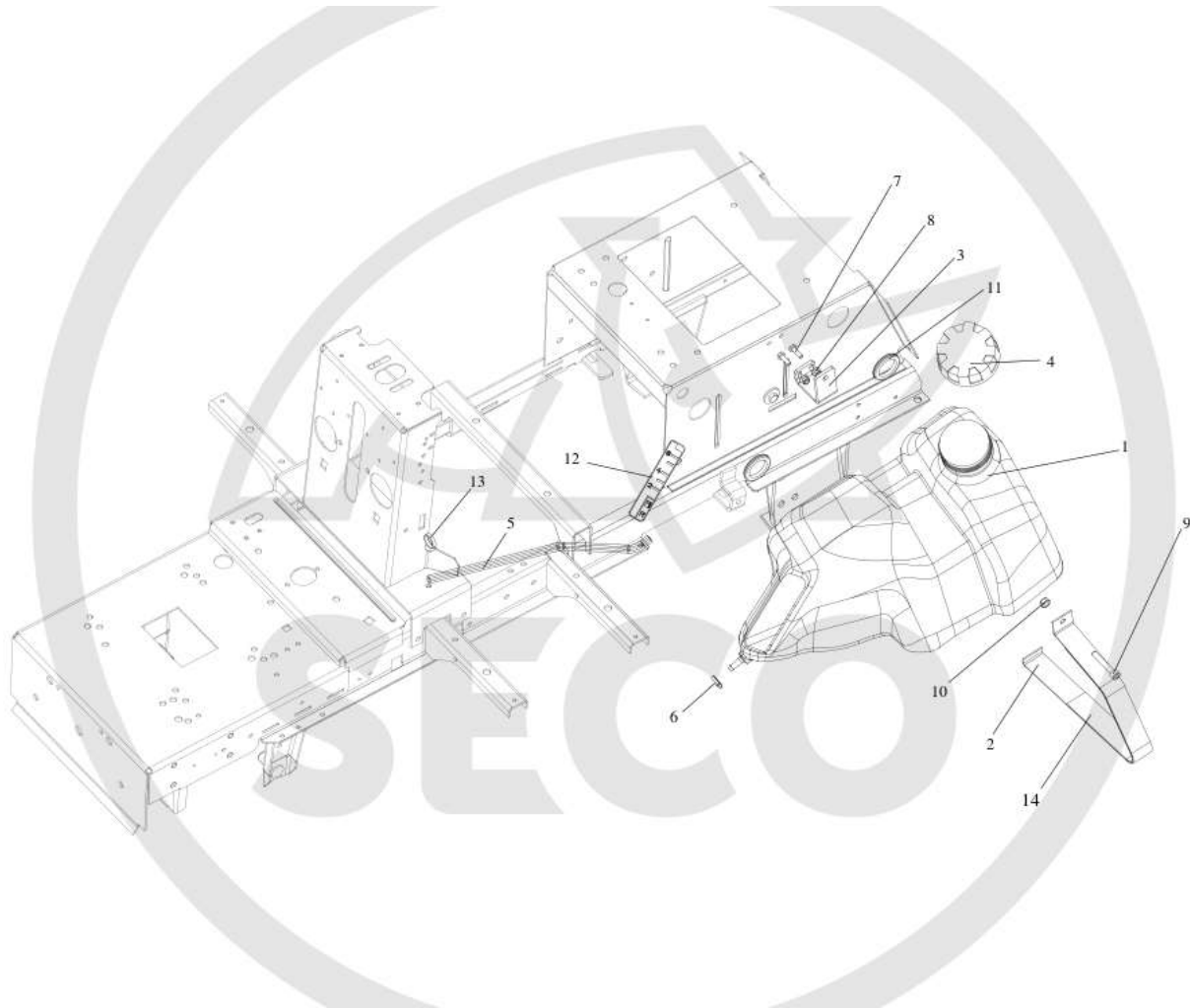


<b>ID</b>	<b>Name</b>	<b>Item code</b>	<b>No.</b>	<b>UOM</b>	<b>Price</b>
1	Belt cover 0-8547-274R UJ102	N532151848	1	KS	EUR /
2	Belt cover 0-8547-273L UJ102/122	N532151847	1	KS	EUR /
3	Seating D7-201-802-010	N532150903	10	KS	EUR /
4	Pin D7-201-711-010	N532150904	10	KS	EUR /



Model: KIJ1E-23-0001  
Group: KIJ25-23-0001

Fuel tank UJ

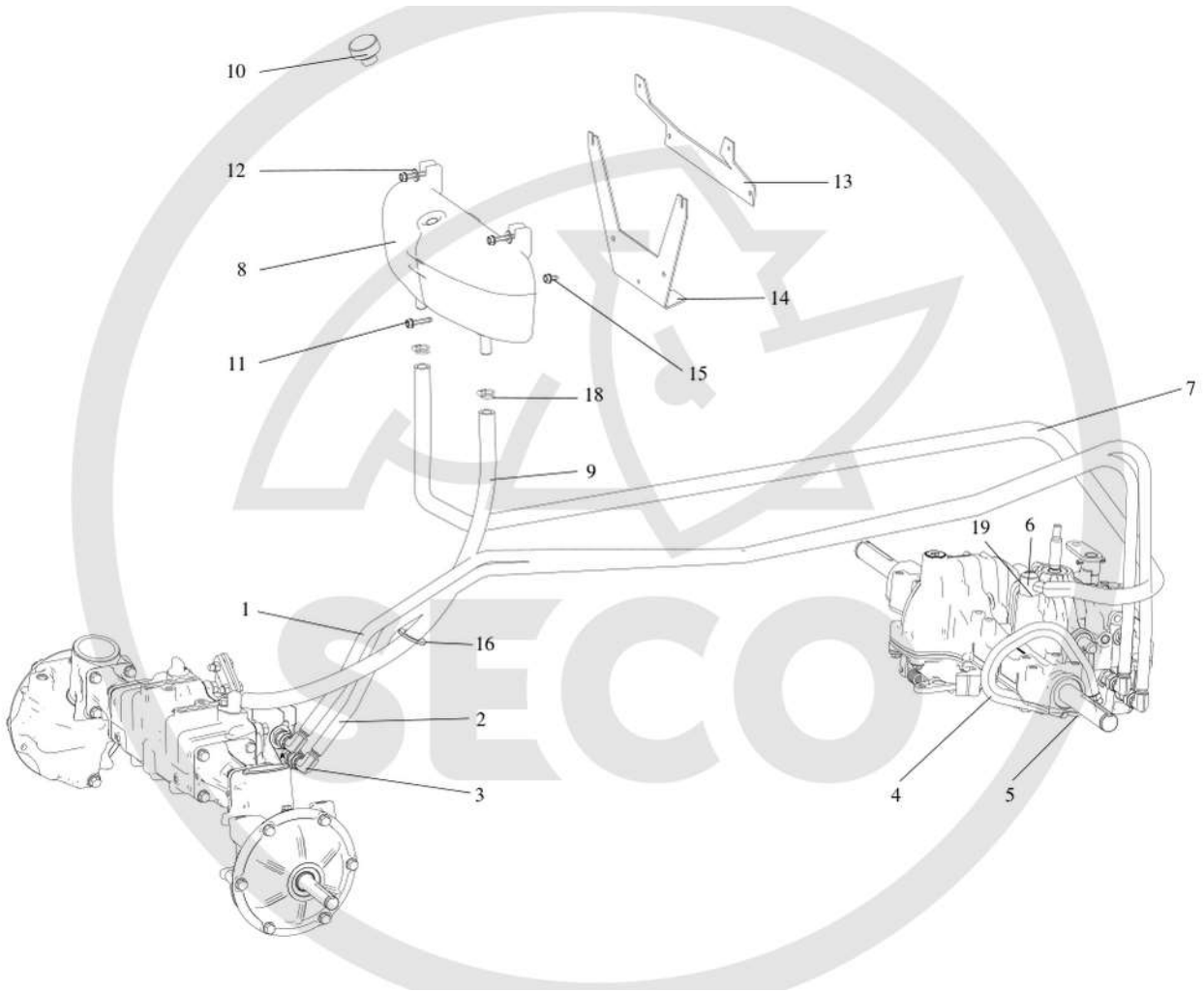


ID	Name	Item code	No.	UOM	Price
1	Fuel tank 0-2766-201 white/exh.UJ	N232130026	1	KS	EUR /
2	Tank holder UJ	S532013422073	1	KS	EUR /
3	HOLDER	S532013425133	1	KS	EUR /
4	Fuel tank Cap 9-2725-201	N321841017	1	KS	EUR /
5	Fuel hose for NJ, AJ, UJ	S532986018003	1	KS	EUR /
6	Clip UM 5008	N000532058	2	KS	EUR /
7	Screw M 6X20	N309503548	2	KS	EUR /
8	Nut M 6 DIN 6926	N311129525	2	KS	EUR /
9	Screw M 8x50 DIN 912 8.8 ZN	N309503574	1	KS	EUR /
10	Nut M 8	N311129501	1	KS	EUR /
11	Rubber sleeve 28.5x2	N273121038	2	KS	EUR /
12	Label 0-8732-223 Fuel quantity	N283293026	1	KS	EUR /
13	Clip WSBH 1-0-1	N532150211	2	KS	EUR /
14	Washer 0-8530-609	N273192018	1	KS	EUR /

Model: KIJ1E-23-0001

Group: KIJ19-22-0001

Hydraulic distribution UJ 4x4



ID	Name	Item code	No.	UOM	Price
1	Hose hydraulic 9-8236-220	N336631119	1	KS	EUR /
2	Hose hydraulic 9-8236-219	N336631120	1	KS	EUR /
3	Throat 3/4" x 3/8" UNF	N336681026	2	KS	EUR /
4	Hydraulic hose DN10-580	N336631108	1	KS	EUR /
5	Throat 9/16-18 UNF/M18x1.5DIN2353	N336681015	2	KS	EUR /
6	Throat compl. 9-8246-204	N532991064	1	KS	EUR /
7	Hose exp. UJ 4x4 rear	S532082202043	1	KS	EUR /
8	Exp.tank 0-2766-209 2.1L UJ 4x4	N532151523	1	KS	EUR /
9	Hose exp. UJ 4x4	S532082202023	1	KS	EUR /
10	Plug G 1/2" without gauge	N532151548	1	KS	EUR /
11	Screw M 6x40 DIN 7500 D	N309578553	3	KS	EUR /
12	Washer 6.6	N311212520	3	KS	EUR /
13	Tank holder UJ 4x4	S532013422133	1	KS	EUR /
14	Tank holder UJ 4x4	S532013402093	1	KS	EUR /
15	Screw M 6x12 DIN 7500 BN 3326	N309578546	2	KS	EUR /
16	Rubber sleeve 25x3	N273121040	1	KS	EUR /
17	Not used in this performance	NK00000000	1	KS	EUR /
18	Wire screw-in clip W19-22mm	N548241022	4	KS	EUR /
19	Ring 17.13X2.62 NBR 70SHA	N273111103	1	KS	EUR /