

CGE170cc

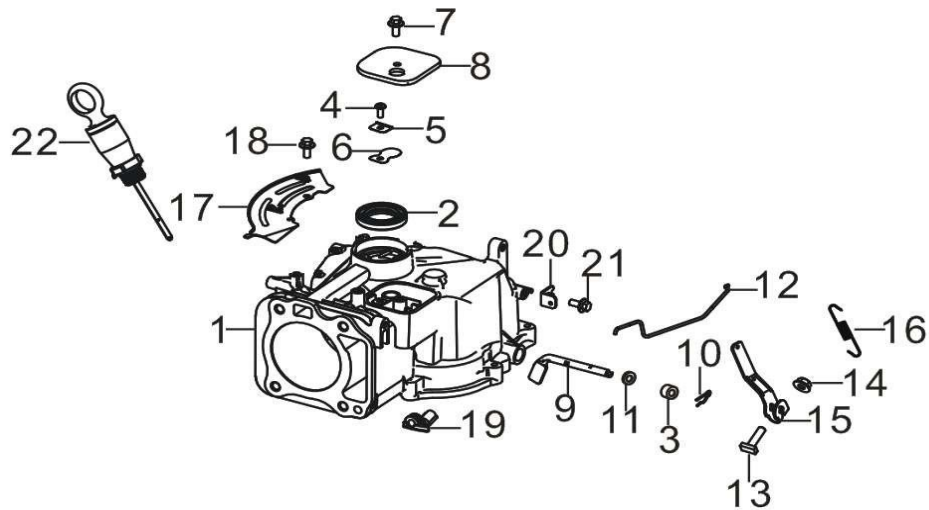


FIG.1 CRANKCASE. / GEAR ASSY, GOVERNOR.			
NO	ART	NAME	QTY
1	UV170-0001	CRANKCASE SUBASSEMBLY.	1
2	UV170-0002	SEAL, OIL	1
3	UV170-0003	SEAL, OIL	1
4	UV170-0004	SCREW	1
5	UV170-0005	PIECE, BREATH	1
6	UV170-0006	POSITION FIXING PLATE, PIECE, BREATH	1
7	UV170-0007	BOLT	1
8	UV170-0008	PLATE, BREATH GROOVE COVER	1
9	UV170-0009	ARM, GOVERNOR	1
10	UG930-00012	PIN	1
11	UV170-0011	WASHER, FLAT	1
12	UV170-0012	ROD, GOVERNEOR	1
13	UG390-00086	BOLT, GOVERNOR SUPPORT	1
14	UG390-00085	NUT	1
15	UV170-0015	SUPPORT SUBASSEMBLY, GOVERNOR	1
16	UV170-0016	SPRING, GOVERNOR	1
17	UV170-0017	SHIELD, CRANKCASE SIDE	1
18	UV170-0007	BOLT	1
19	UV170-0019	OIL RETURN PIECE	1
20	UV170-0020	PLATE SUBASSEMBLY, THROTTLE CONTROL BOTTOM	1
21	UV170-0007	BOLT	1
22	UV170-0022	DIPSTICK SUBASSEMBLY, OIL	1

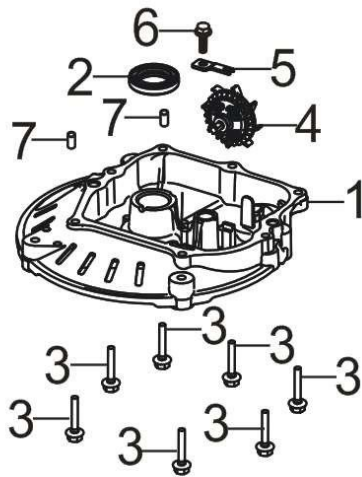


FIG.2 COVER SUBASSEMBLY, CRANKCASE			
NO	ART	NAME	QTY
1	UV170-0023	COVER, CRANKCASE	1
2	UV170-0024	SEAL, OIL	1
3	UV170-0025	BOLT	7
4	UV170-0026	GEAR ASSY, GOVERNOR	1
5	UV170-0027	PLATE, GOVERNOR SPINDLE COMPRESSION	1
6	UV170-0028	BOLT	1
7	UG930-00021	PIN	2

CGE170cc

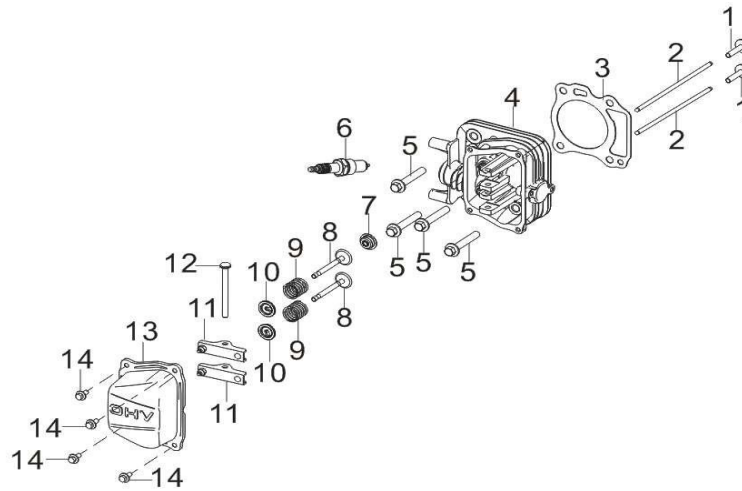


FIG.3 HEAD SUBASSEMBLY, CYLINDER / PLUG,SPARK			
NO	ART	NAME	QTY
1	UV170-0030	TAPPET, VALVE	2
2	UV170-0031	LIFTER, VALVE	2
3	UV170-0032	GASKET, CYLINDER HEAD	1
4	UV170-0033	HEAD SUBASSEMBLY, CYLINDER	1
5	UV170-0034	BOLT	4
6	UV170-0035	PLUG, SPARK	1
7	UV170-0036	GUIDE, SEAL	1
8	UV170-0037	VALVES SET	2
9	UV170-0038	SPRING, VALVE	2
10	UV170-0039	SEAT, VALVE SPRING	2
11	UV170-0040	ROCKER SUBASSEMBLY, VALVE	2
12	UV170-0041	SHAFT, VALVE ROCKER	1
13	UV170-0042	COVER, CYLINDER HEAD	1
14	UV170-0007	BOLT	4

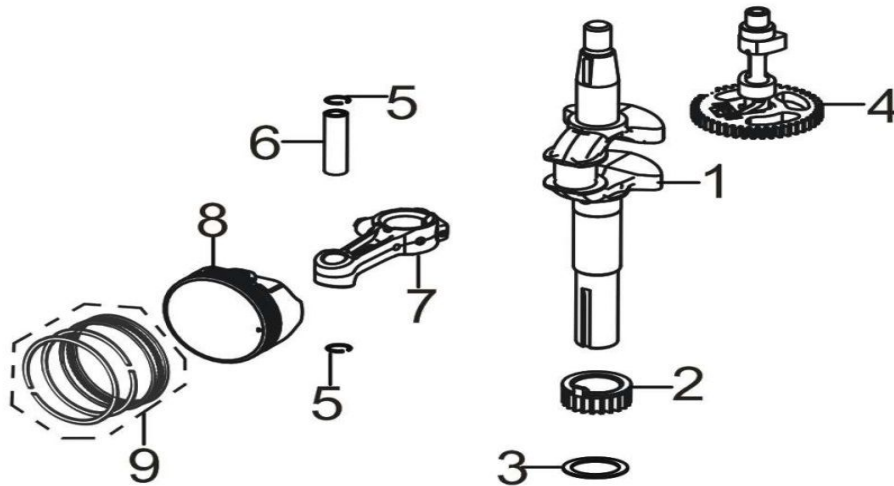


FIG.4 ROD,CRANKSHAFT CONNETING			
NO	ART	NAME	QTY
1	UV170-0044	CRANKSHAFT ASSY.	1
2	UV170-0045	GEAR, TIMING DRIVE	1
3	UV170-0046	WASHER, FLAT	1
4	UV170-0047	CAMSHAFT ASSY.	1
5	UV170-0048	CLIP, PISTON PIN	2
6	UV170-0049	PIN, PISTON	1
7	UV170-0050	ROD, CONNECTING	1
8	UV170-0051	PISTON	1
9	UV170-0052	RING ASSY, PISTON	1

CGE170cc

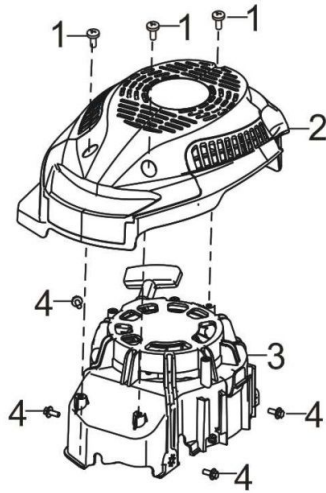
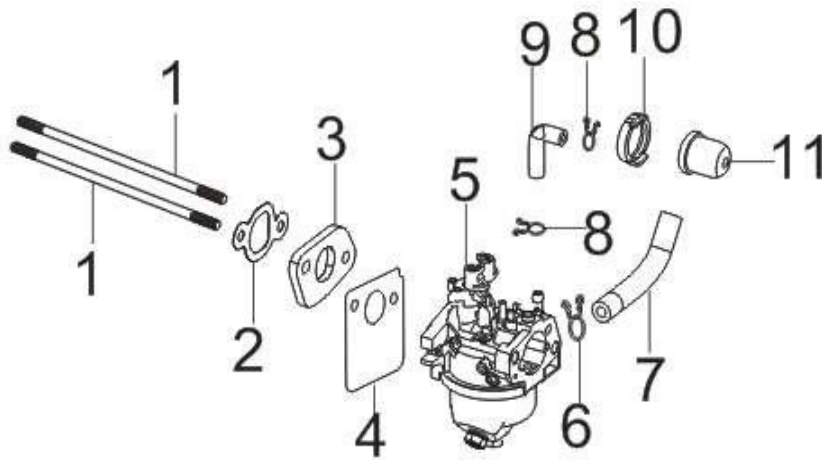


FIG.5 STARTER,RECOIL			
NO	ART	NAME	QTY
1	UV170-0053	SCREW	3
2	UV170-0054	HOUSING, ENGINE	1
3	UV170-0055	STARTER ASSY, RECOIL	1
4	UV170-0056	BOLT	4

**FIG.6 CARBURETOR ASSY**

NO	ART	NAME	QTY
1	UV170-0057	BOLT	1
2	UV170-0058	GASKET, INLET	1
3	UV170-0059	PLATE, CARBURETOR INSULATOR	1
4	UV170-0060	GASKET, INSULATOR PLATE	1
5	UV170-0061	CARBURETOR ASSY.	1
6	UV170-0062	CLAMP	1
7	UV170-0063	TUBE, FUEL	1
8	UV170-0064	CLAMP	2
9	UV170-0065	TUBE, STARTING RICHED VALVE	1
10	UV170-0066	SEAT, STARTING RICHED VALVE	1
11	UV170-0067	VALVE BODY, STARTING RICHED	1

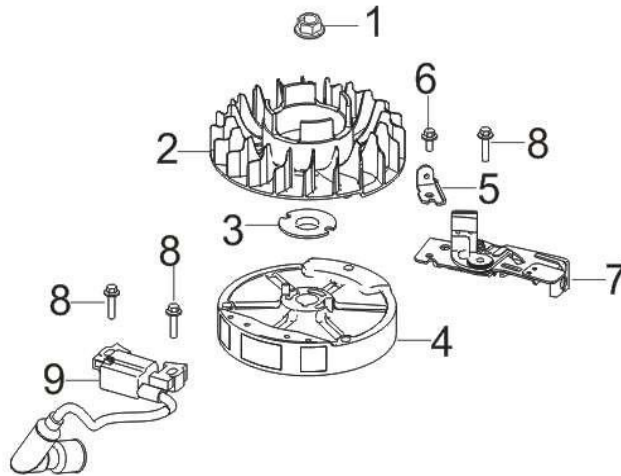


FIG.7 FLYWHEEL / IMPELLER / STARTER PULLEY / IGNITION COIL

NO	ART	NAME	QTY
1	UV170-0068	NUT, FLYWHEEL	1
2	UV170-0069	IMPELLER	1
3	UV170-0070	SEAT, STARTER CUP	1
4	UV170-0071	FLYWHEEL SUBASSEMBLY	1
5	UV170-0072	LUG, SHROUD	1
6	UV170-0073	BOLT	1
7	UV170-0074	BRAKE ASSY.	1
8	UV170-0056	BOLT	3
9	UV170-0076	COIL, IGNITION	1

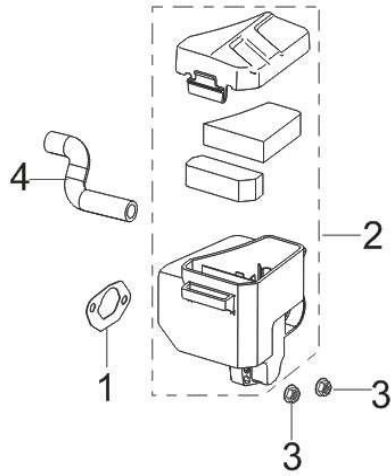
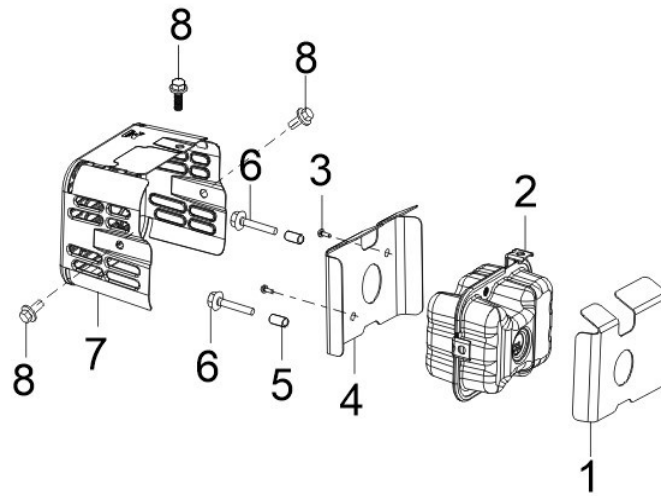


FIG.8 CLEANER, AIR			
NO	ART	NAME	QTY
1	UV170-0077	GASKET, AIR CLEANER	1
2	UV170-0078	CLEANER, AIR	1
3	UG390-00085	NUT	2
4	UV170-0080	TUBE, BREATHER	1

**FIG.13 MUFFLER ASSY.**

NO	ART	NAME	QTY
1	UV170-0081	PLATE, MUFFLER INSULATOR	1
2	UV170-0082	MUFFLER ASSY.	1
3	UV170-0083	SCREW	2
4	UV170-0084	PLATE, MUFFLER INSULATOR	1
5	UV170-0085	BUSHING	2
6	UV170-0025	BOLT	2
7	UV170-0087	COVER, MUFFLER OUTER	1
8	UG930-00006	BOLT	3

CGE170cc

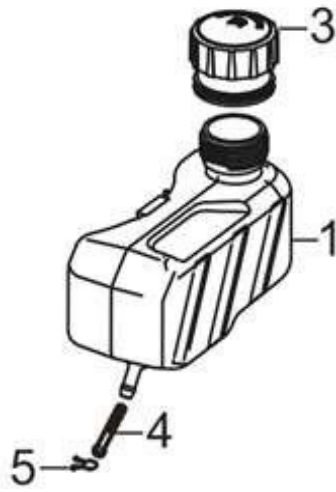


FIG.14 TANK ASSY, FUEL			
NO	ART	NAME	QTY
1	UV170-0089	TANK ASSY, FUEL	1
3	UV170-0090	COVER, FUEL TANK	1
4	UV170-0091	STRAINER, FUEL	1
5	UV170-0062	CLAMP	1