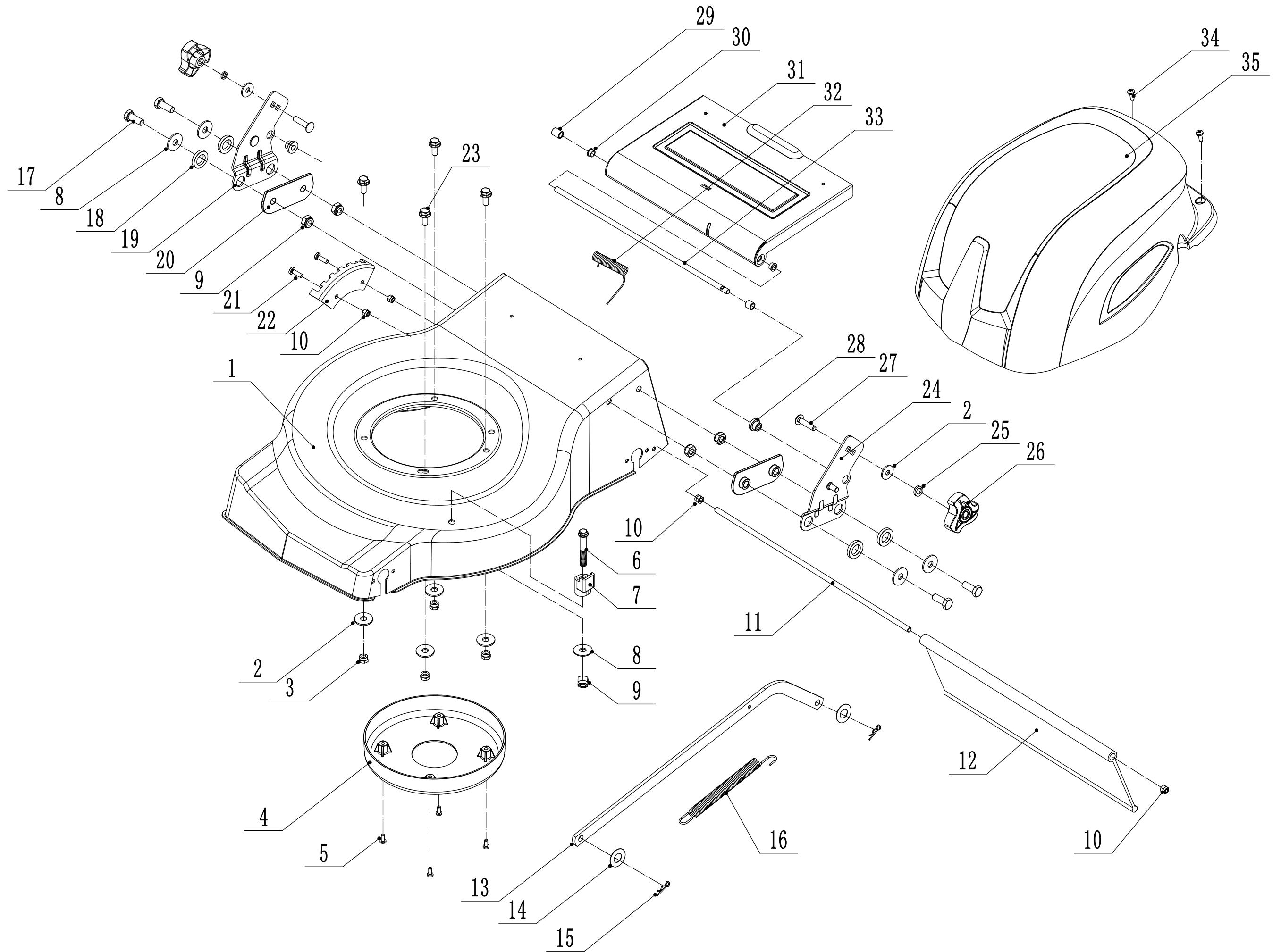
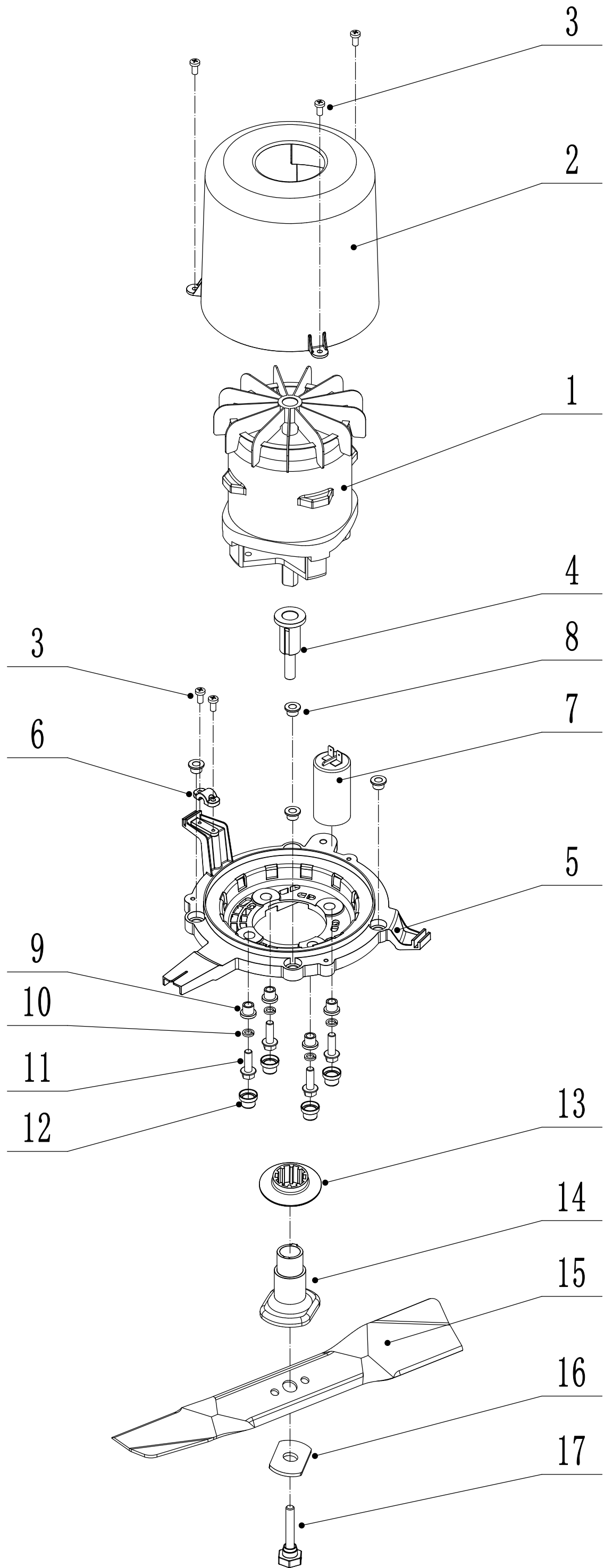


1 Main Body



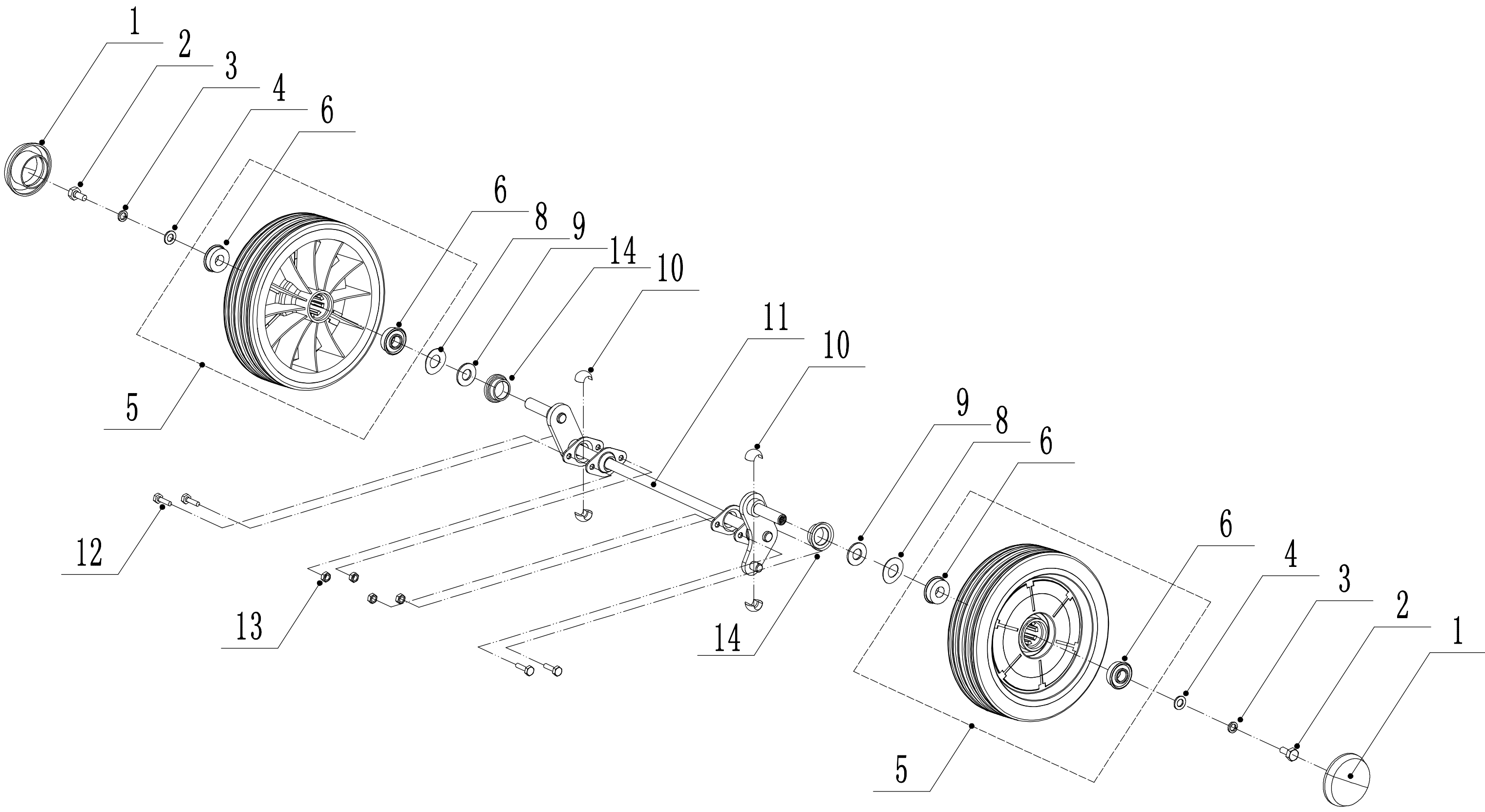
| Main body Spare parts price list | | | |
|---|-------------|----------------------------|------------|
| N | ART | NAME | QTY |
| 1 | U453-0047 | Chassis | 1 |
| 2 | U455-00061 | Flat Washer - M8 | 6 |
| 3 | U455-00007 | Lock Nut - M8 | 4 |
| 4 | U453-0001 | Shield | 1 |
| 5 | U453-0002 | St Pan Screw - St 4.8x19 | 4 |
| 6 | UZT85-00116 | Bolt - M10x45 | 1 |
| 7 | U453-0003 | Spring Bracket | 1 |
| 8 | UG700-00100 | Big Washer | 5 |
| 9 | U537-00111 | Lock Nut - M10 | 5 |
| 10 | U455-00013 | Lock Nut - M6 | 4 |
| 11 | U453-0004 | Pivot - Trailing Flap | 1 |
| 12 | U537-00117 | Trailing Flap | 1 |
| 13 | U453-0005 | Connecting Rod | 1 |
| 14 | U455-00029 | Flat Washer | 2 |
| 15 | U455-00032 | Check Ring | 2 |
| 16 | U453-0006 | Spring - Connecting Rod | 1 |
| 17 | UG806-00032 | Bolt - M10x25 | 4 |
| 18 | U453-0007 | Insulating Spacer | 4 |
| 19 | U453-0008 | Right Bracket | 1 |
| 20 | U453-0009 | Insulating Plate | 2 |
| 21 | U455-00072 | Cross Slot Screw - M6x14 | 2 |
| 22 | U453-0010 | Graduator | 1 |
| 23 | UR200-00058 | Bolt - M8x20 | 4 |
| 24 | U453-0011 | Left Bracket | 1 |
| 25 | U455-00053 | Spring Washer | 2 |
| 26 | UV180-00003 | Knob | 2 |
| 27 | U058-00014 | Square Bolt - M8x25 | 2 |
| 28 | U453-0012 | Bush - Rear Cover | 2 |
| 29 | U453-0013 | Spacer - Rear Cover | 2 |
| 30 | U453-0014 | Nylon Bush - Rear Cover | 2 |
| 31 | U453-0015 | Rear Cover | 1 |
| 32 | U453-0016 | Spring - Rear Cover | 1 |
| 33 | U453-0017 | Pivot - Rear Cover | 1 |
| 34 | U453-0018 | Cross Slot Screw - M5.5x19 | 2 |
| 35 | U453-0019 | Motor Cover | 1 |

2 Blade System



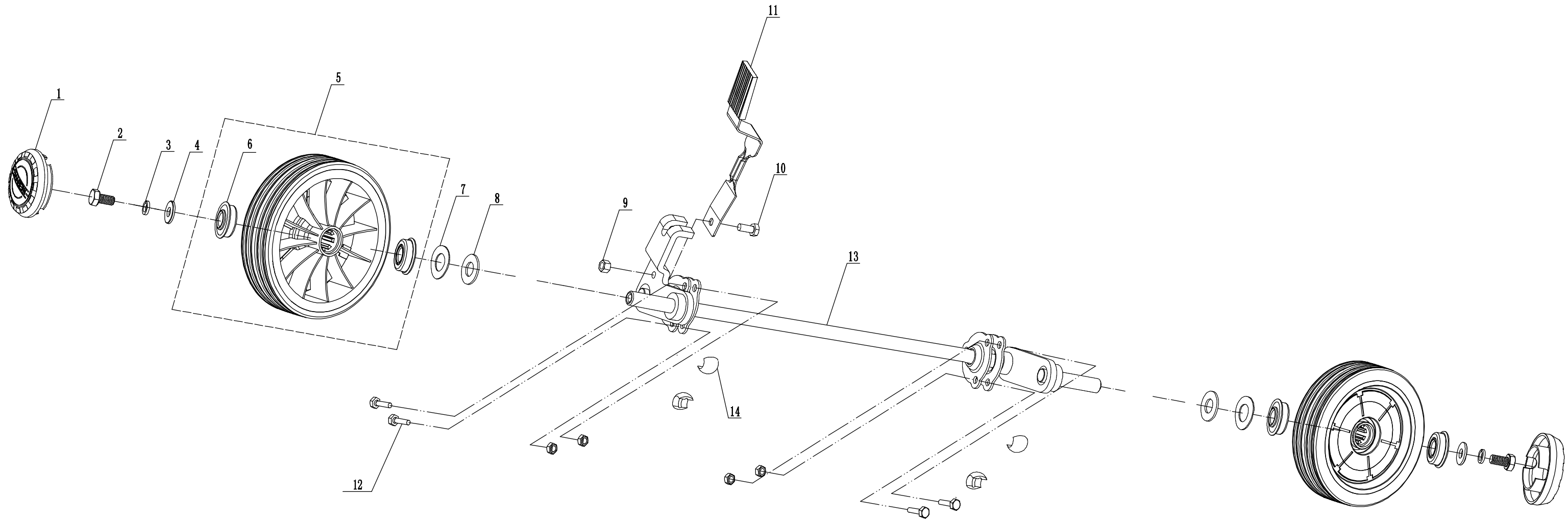
| Blade system system parts price list | | | |
|---|-------------|------------------------|------------|
| N | ART | Name | QTY |
| 1 | U453-0020 | Electric Engine | 1 |
| 2 | U453-0021 | Engine Sheild | 1 |
| 3 | UR390-00087 | St Screw - St 4.8x13 | 5 |
| 4 | U453-0022 | Spindle Sheath | 1 |
| 5 | U453-0023 | Engine Connecting Base | 1 |
| 6 | U453-0024 | Cable Holder | 1 |
| 7 | U453-0025 | Capacitor | 1 |
| 8 | U453-0026 | Spacer | 4 |
| 9 | U453-0027 | Spacer | 4 |
| 10 | U455-00053 | Spring Washer | 4 |
| 11 | UR200-00054 | Bolt - M8x25 | 4 |
| 12 | U453-0028 | Insulating Bush | 4 |
| 13 | U453-0029 | Protection Sleeve | 1 |
| 14 | U453-0030 | Adaptor | 1 |
| 15 | U453-0031 | 450 Blade (Electric) | 1 |
| 16 | U453-0032 | Spring Washer | 1 |
| 17 | U453-0033 | Central Bolt | 1 |

4 Front axle



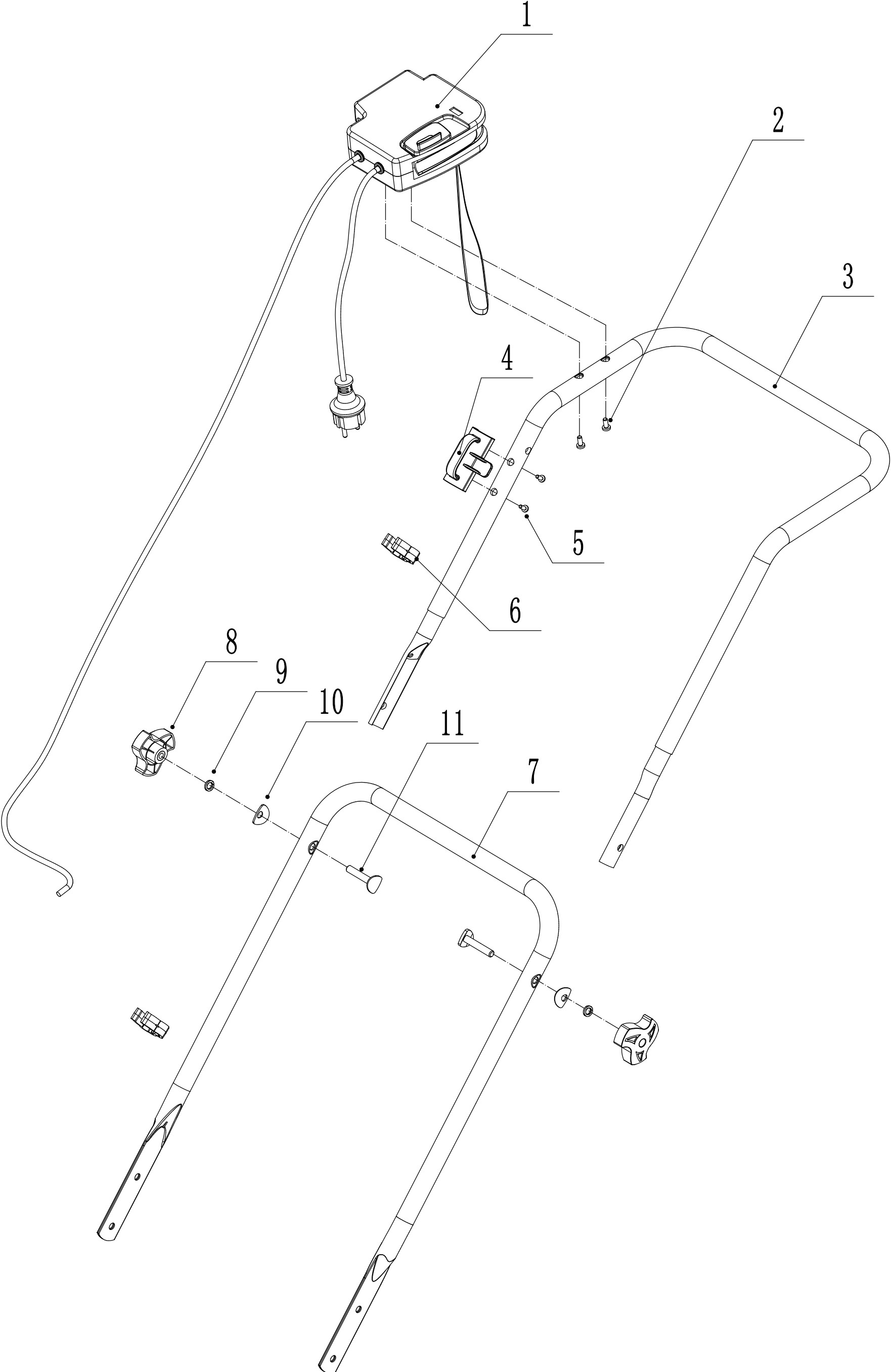
| Front axle Spare parts price list | | | |
|--|-------------|-----------------|------------|
| N | ART | NAME | QTY |
| 1 | U466-00012 | Wheel Cap | 2 |
| 2 | UG390-00079 | Bolt - M8x16 | 2 |
| 3 | U455-00053 | Spring Washer | 2 |
| 4 | U455-00061 | Flat Washer | 2 |
| 5 | U466-00013 | Wheel Assembly | 2 |
| 6 | U455-00056 | Bearing | 4 |
| 8 | U455-00057 | Spacer | 2 |
| 9 | U455-00058 | Washer | 2 |
| 10 | U455-00059 | Ball Bearing | 4 |
| 11 | U453-0034 | Front Axle | 1 |
| 12 | U455-00009 | Bolt - M6x12 | 4 |
| 13 | U455-00013 | Lock Nut - M6 | 4 |
| 14 | U47PI-00004 | waterproof ring | 2 |

4 Rear axle



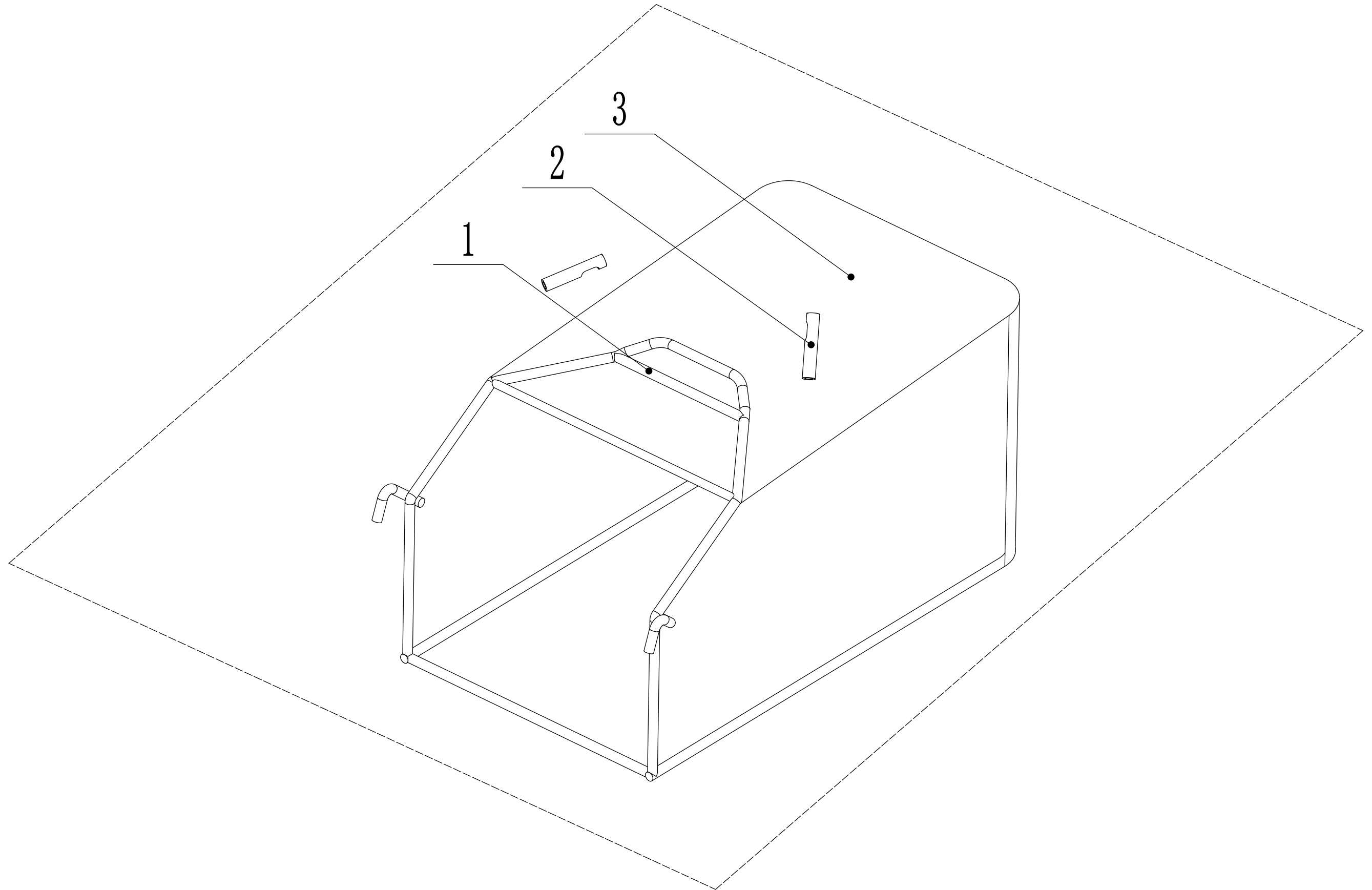
| Rear axle Spare parts price list | | | |
|---|-------------|------------------|------------|
| N | ART | NAME | QTY |
| 1 | U466-00012 | Wheel Cap | 2 |
| 2 | UG390-00079 | Bolt - M8x16 | 2 |
| 3 | U455-00053 | Spring Washer | 2 |
| 4 | U455-00061 | Flat Washer | 2 |
| 5 | U466-00013 | Wheel Assembly | 2 |
| 6 | U455-00056 | Bearing | 4 |
| 7 | U455-00057 | Spacer | 2 |
| 8 | U455-00058 | Washer | 2 |
| 9 | U455-00013 | Lock Nut - M6 | 4 |
| 10 | U455-00072 | Screw - M6x14 | 1 |
| 11 | U453-0035 | Adjustment Lever | 1 |
| 12 | U455-00009 | Bolt - M6x12 | 4 |
| 13 | U453-0036 | Rear Axle | 1 |
| 14 | U455-00059 | Ball Bearing | 4 |

5 Handle And Controls



| Handle and control Spare parts price list | | | |
|--|-------------|-------------------------|------------|
| N | ART | NAME | QTY |
| 1 | U453-0037 | Switch | 1 |
| 2 | U453-0002 | Screw - St 4.8x19 | 2 |
| 3 | U453-0038 | Upper Handle | 1 |
| 4 | U453-0039 | Cable Holder | 1 |
| 5 | U537-00013 | Screw - St 4.2x13 | 2 |
| 6 | U453-0040 | Cable Clip | 2 |
| 7 | U453-0041 | Lower Handle | 1 |
| 8 | UV180-00003 | Knob | 2 |
| 9 | U455-00053 | Spring Washer | 2 |
| 10 | U453-0042 | Washer | 2 |
| 11 | U453-0043 | Connecting Bolt - M8x45 | 2 |

6 Grass Catcher



| Grass Catcher Spare parts price list | | | |
|---|------------|---------------------|------------|
| N | ART | NAME | QTY |
| 1 | U453-0044 | Grass Catcher Frame | 1 |
| 2 | U453-0045 | Frame Sheath | 2 |
| 3 | U453-0046 | Grass Bag | 1 |