

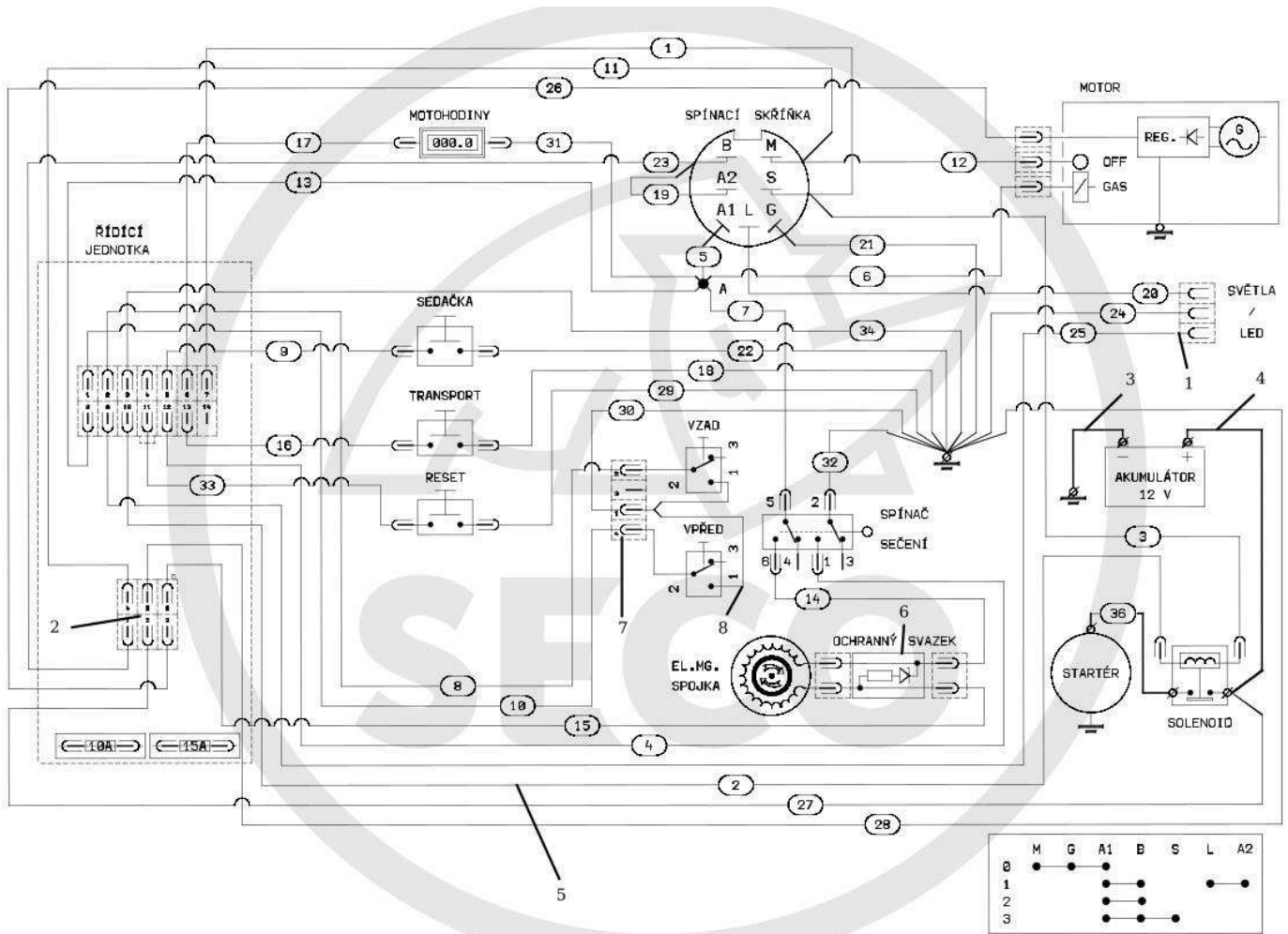
Obrázek není k
dispozici



Model: KSC2A-20-0001

Group: KSC13-15-0031

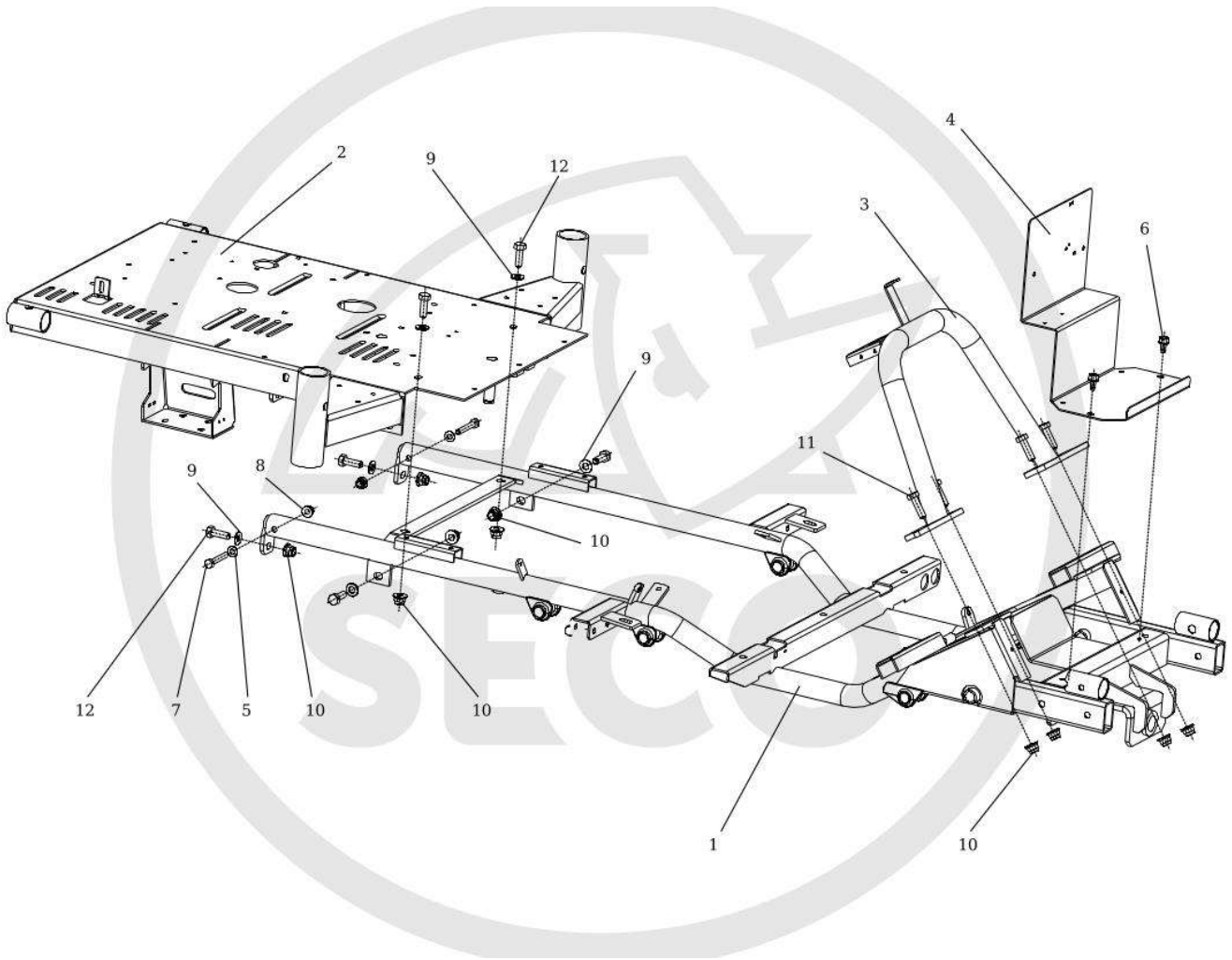
Croso wiring diagram



44	Screw M 4X14 021131.25	N309231535	1	KS	EUR /
45	Nut M4	N311129514	1	KS	EUR /
46	Screw M 5x16 ISO 7380 8.8	N309578532	2	KS	EUR /
47	Nut M 5 DIN 6926 Zinc	N311129524	2	KS	EUR /
48	Exhaust cover	S532085412033	1	KS	EUR /
49	Exhaust cover	S532085415653	1	KS	EUR /
50	Screw M6X16	N309503508	2	KS	EUR /
51	Nut M 8 DIN 6926 8 Zinc	N532150290	13	KS	EUR /
52	Screw M 8X25	N309503512	4	KS	EUR /

Model: KSC2A-20-0001
Group: KSC02-17-0001

Croso Frame

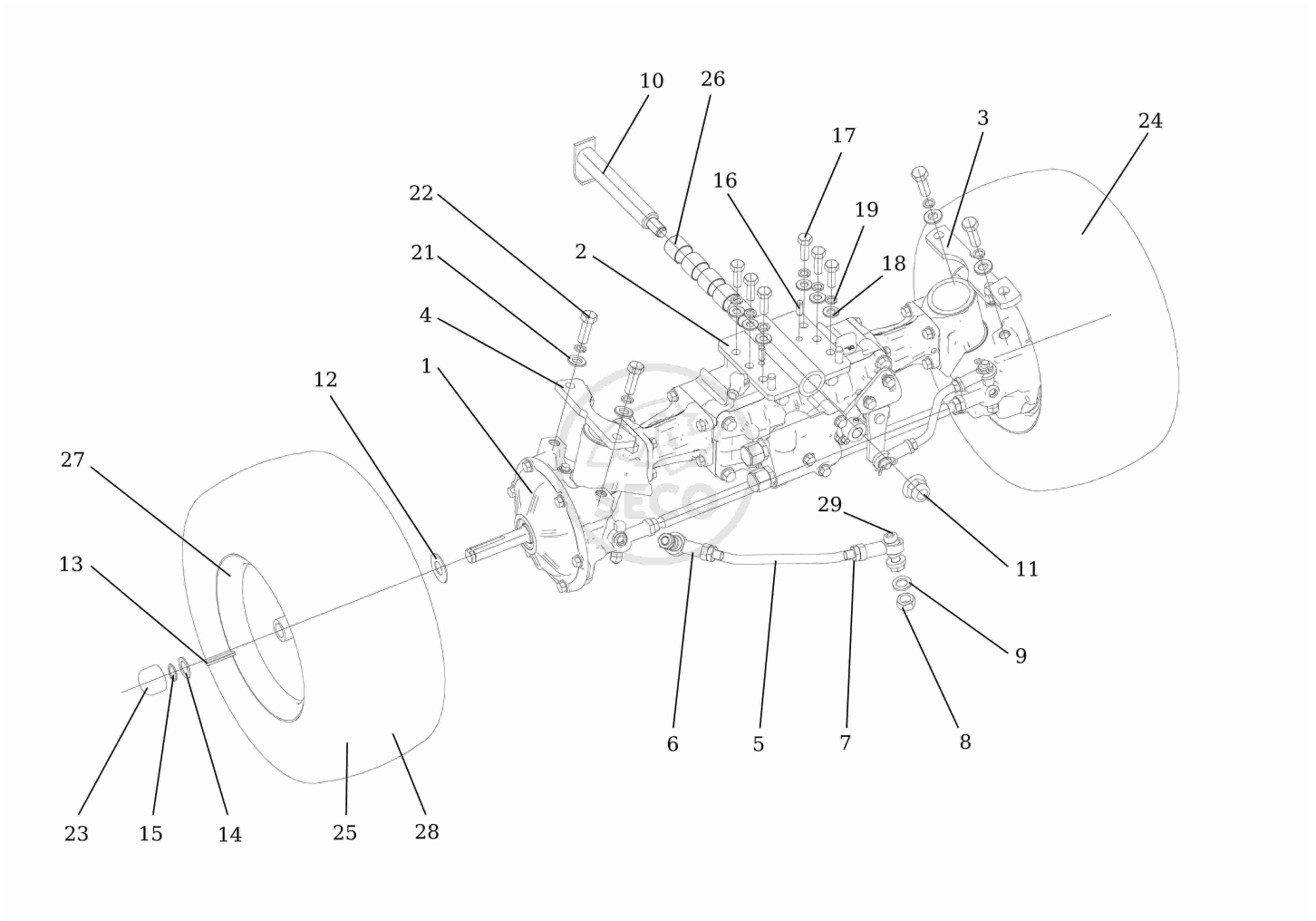


ID	Name	Item code	No.	UOM	Price
1	Frame devided SC	S532912472013	1	KS	EUR /
2	Engine chamber complete	S532927962163	1	KS	EUR /
3	Steereng wheel brace	S532915462333	1	KS	EUR /
4	Battery holder	S532013422143	1	KS	EUR /
5	Washer 8.4	N311210503	2	KS	EUR /
6	Screw M 8x16 DIN 7500 D BN3326	N309578520	2	KS	EUR /
7	SCREW M 8X55	N309201519	2	KS	EUR /
8	Nut M 8 DIN 6926 8 Zinc	N532150290	2	KS	EUR /
9	Washer 10.5	N311210504	6	KS	EUR /
10	Nut M 10 DIN 6926 Zinc	N311129523	10	KS	EUR /
11	Screw M 10X35	N309503523	4	KS	EUR /
12	Screw M 10X30	N309503510	6	KS	EUR /

Model: KSC2A-20-0001

Group: KSC03-18-0002

Front Axle Croso 4x4

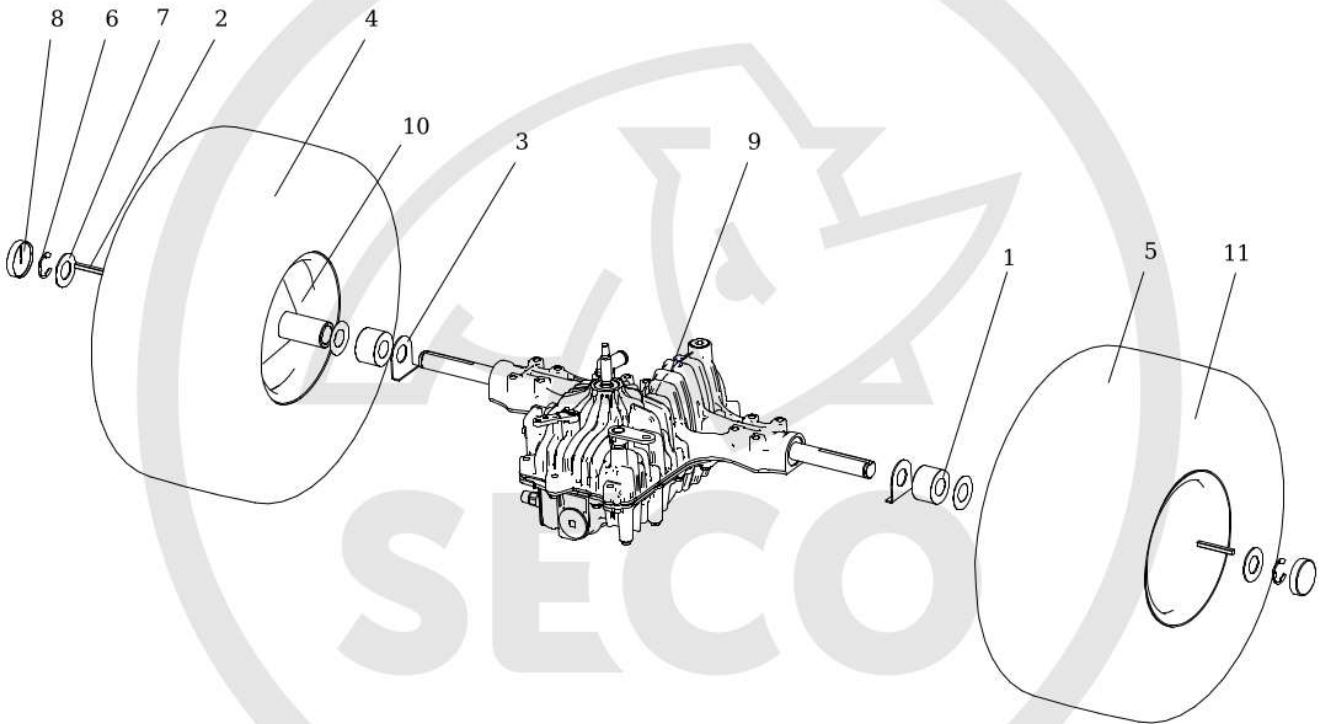


ID	Name	Item code	No.	UOM	Price
1	Axle front KXH 10N	N532991057	1	KS	EUR /
2	Axle holder complete	S532916262253	1	KS	EUR /
4	Backstop compl.	S532980302173	1	KS	EUR /
5	Connecting rod	S532080102033	1	KS	EUR /
6	Joint head PHS 14 REX	N442073031	2	KS	EUR /
7	Nut M 14	N311120542	2	KS	EUR /
8	Nut M 14 RIPP DIN 6923	N311129529	1	KS	EUR /
9	Washer NL14 glued Zinc	N311219517	2	KS	EUR /
10	Pin complete	S532993122783	1	KS	EUR /
11	Nut M 16 DIN 6926	N311129527	1	KS	EUR /
12	Washer	S532192208673	2	KS	EUR /
13	Key 0-9231-223	N311726098	2	KS	EUR /
14	Washer	S532092207583	2	KS	EUR /
15	Lock ring E-75 3/4	N311732023	2	KS	EUR /
16	Pin 8X20 A	N311515079	2	KS	EUR /
17	Screw M10x30 DIN 933-10.9	N309503571	6	KS	EUR /
18	Washer 10.5	N311210504	6	KS	EUR /
19	Washer 10	N311214503	6	KS	EUR /
20	Screw M12x35 DIN 933-10.9	N309503572	4	KS	EUR /
21	Washer 13	N311210505	4	KS	EUR /
22	Washer 12	N311214504	4	KS	EUR /
23	Cover 32X25 Vinyl-Flex	N532150753	2	KS	EUR /
24	Wheel front L 16x6.50-8 TRAC MAST	N532940177	1	KS	EUR /
25	Wheel front R 16x6.50-8 TRAC MAST	N532940178	1	KS	EUR /
	Bearing bushing WSM-2528-25W300	N323721015	5	KS	EUR /
27	Wheel disc 5.50AX8H2 OTRSK21.06	N325111027	2	KS	EUR /
28	Tyre 16X6.50-8 CROSS 4X4	N274161016	2	KS	EUR /
29	Screw	S532190161013	2	KS	EUR /

Model: KSC2A-20-0001

Group: KSC04-15-0002

Croso rear axle

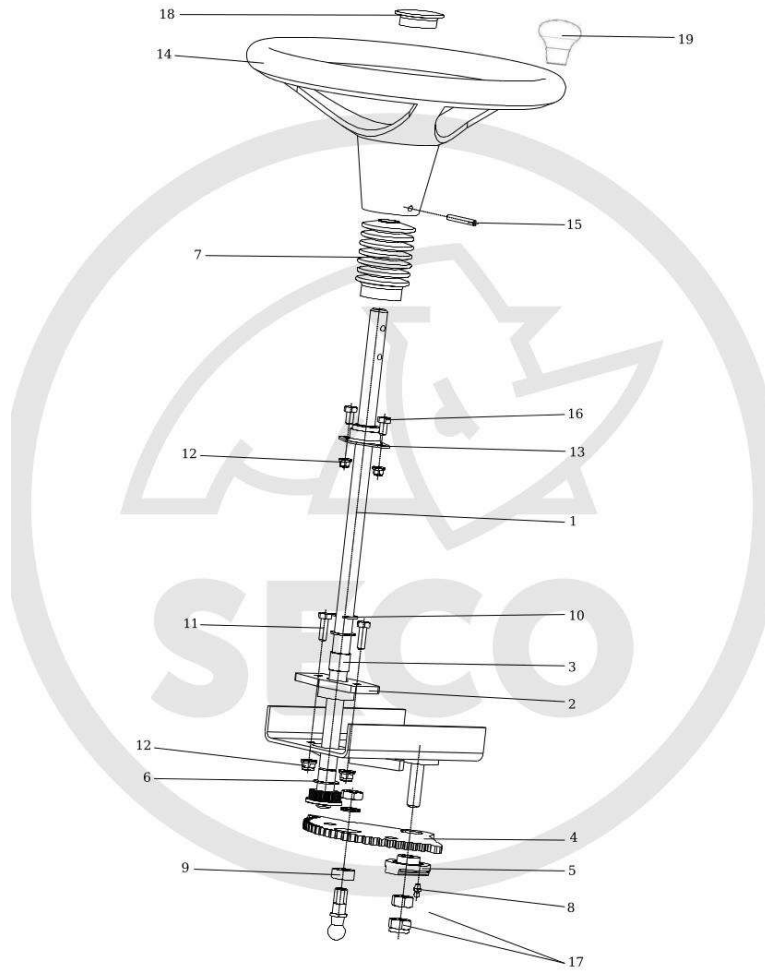


ID	Name	Item code	No.	UOM	Price
1	Not used in this performance	NK00000000	1	KS	EUR /
2	Spring	S532092312243	2	KS	EUR /
3	Washer	S532092208553	2	KS	EUR /
4	Wheel rear R 20x10.00-8 TRAC MAST	N532940176	1	KS	EUR /
5	Wheel rear L 20x10.00-8 TRAC MAST	N532940175	1	KS	EUR /
6	Lock ring SE-98 1	N311732024	2	KS	EUR /
7	Washer	S532092208083	6	KS	EUR /
8	Cap 0-8025-201 49x25	N532151655	2	KS	EUR /
9	Transmission K664 E Tuff Torq	N532991058	1	KS	EUR /
10	Wheel disc rear 7.00IX8H2 OTR 202	N325111028	2	KS	EUR /

Model: KSC2A-20-0001

Group: KSC05-15-0001

Croso Steering

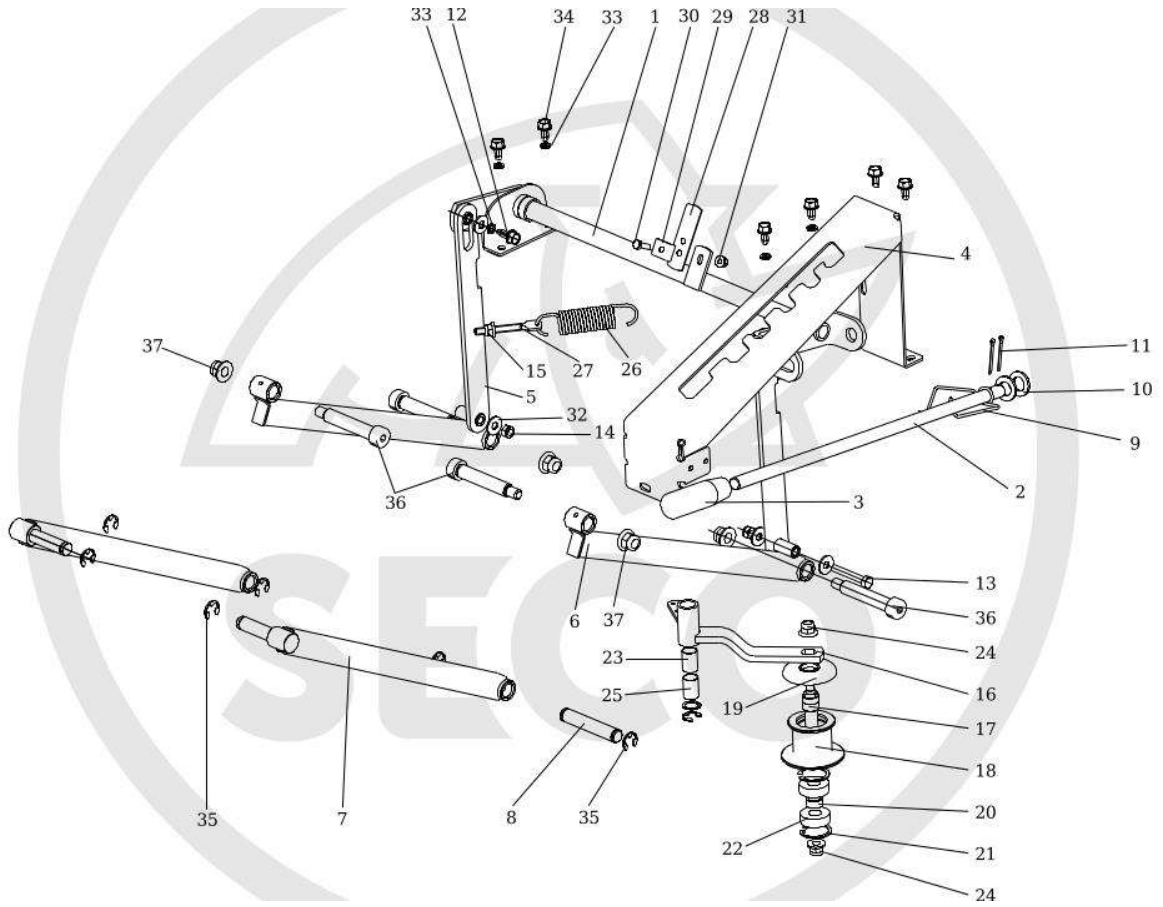


ID	Name	Item code	No.	UOM	Price
1	Pinion complete	S532938252013	1	KS	EUR /
2	Bearing	S532038523863	1	KS	EUR /
3	Bushing 1920 KU	N323721002	1	KS	EUR /
1	Toothed segment 27 Z	S532033322013	1	KS	EUR /
5	Eccentric	S532080272053	1	KS	EUR /
6	Washer	S532092207583	2	KS	EUR /
7	Steering wheel cover	S532096263753	1	KS	EUR /
8	Lubricating head MK 6x1	N425111004	1	KS	EUR /
9	Spacer	S532080202883	1	KS	EUR /
10	Lock ring 15	N311732008	1	KS	EUR /
11	Screw M 8X25	N309503512	2	KS	EUR /
12	Nut M 8 DIN 6926 8 Zinc	N532150290	4	KS	EUR /
13	Spherical bearing FLW 12	N000324001	1	KS	EUR /
14	Steering wheel Cobo PP031	N443821008	1	KS	EUR /
15	Spring pin 6x45	N315238031	1	KS	EUR /
16	Screw M 8X16	N309503517	2	KS	EUR /
17	Nut M 14	N311129528	2	KS	EUR /
18	Cover COBO 0047	N532151106	1	KS	EUR /
19	Control knob Cobo PP031	N443821010	1	KS	EUR /

Model: KSC2A-20-0001

Group: KSC06-15-0001

Croso Lifting

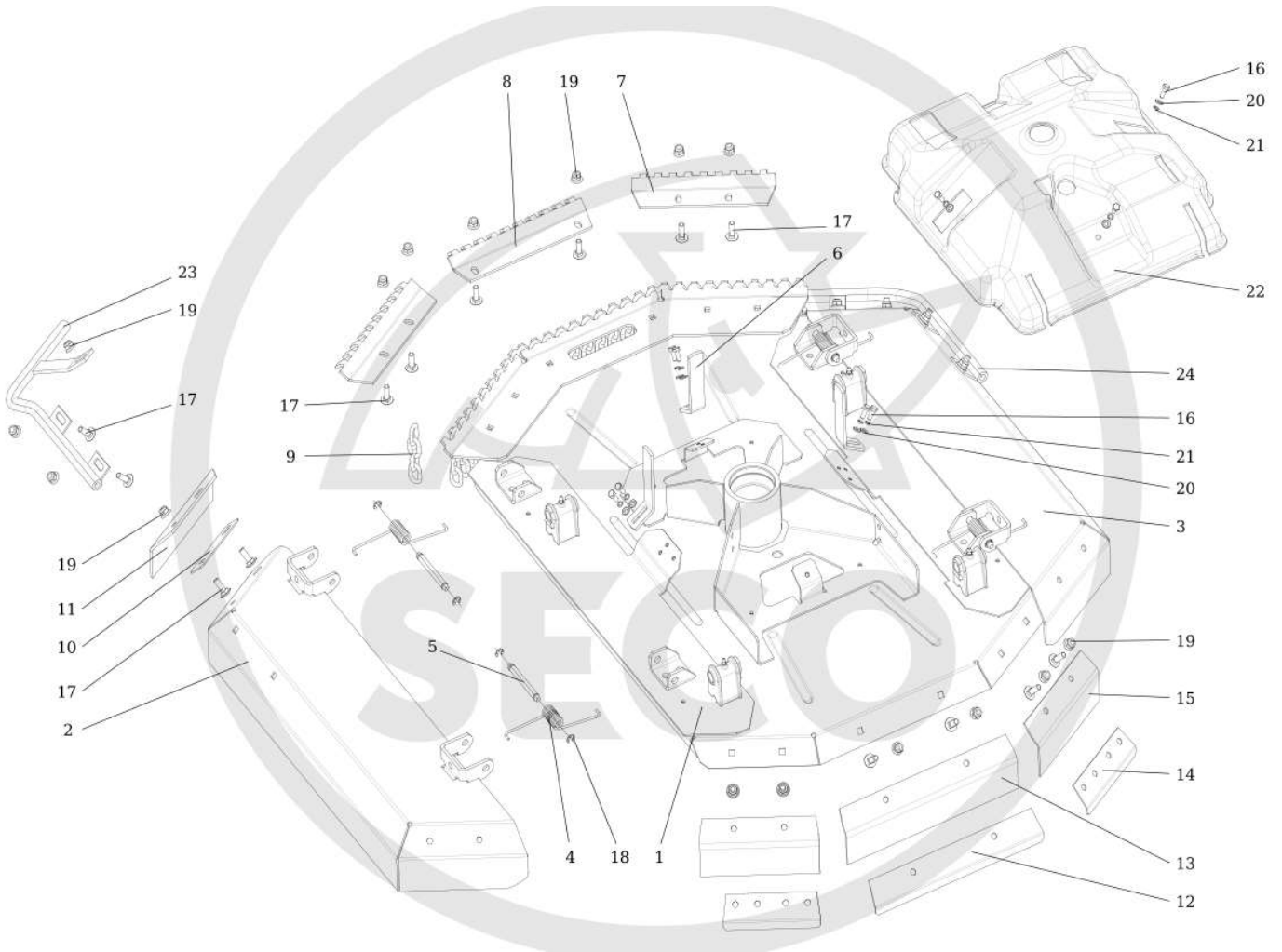


ID	Name	Item code	No.	UOM	Price
1	Cutting lifting	S532980702173	1	KS	EUR /
2	Stick	S532080112443	1	KS	EUR /
3	Handle 1003 PR. 15 black	N532150425	1	KS	EUR /
4	Cutting lifting gate	S532013422063	2	KS	EUR /
5	Cutting arm	S532080312313	2	KS	EUR /
6	Lifting arm rear	S532980365383	2	KS	EUR /
7	Lifting arm, front, right	S532980365233	2	KS	EUR /
8	Pin	S532193103673	2	KS	EUR /
9	Spring 0-9746-481	N315231222	1	KS	EUR /
10	Washer 15	N311210511	2	KS	EUR /
11	Spindle 3.2x36	N311338524	2	KS	EUR /
12	Screw M8x20 DIN 7500D BN 3326	N309578009	2	KS	EUR /
13	SCREW M 8X55	N309201519	4	KS	EUR /
14	Nut M 8	N311129501	2	KS	EUR /
15	Nut M 8 DIN 6926 8 Zinc	N532150290	1	KS	EUR /
16	Pulley holder	S532913463193	1	KS	EUR /
17	Shaft	S532038128423	1	KS	EUR /
18	Pulley	S532033232383	1	KS	EUR /
19	Cap 0-3947-216	N321841075	1	KS	EUR /
20	Spacer ring	S532195203393	1	KS	EUR /
21	Lock ring 35	N311733075	2	KS	EUR /
22	Bearing 6202 VV C3 (NSK)	N324162097	2	KS	EUR /
23	Bushing 1625 KU	N323721006	2	KS	EUR /
24	Nut M 10 DIN 6926 Zinc	N311129523	2	KS	EUR /
25	Washer 16X22X1 DIN 988 L 07	N311219496	2	KS	EUR /
26	Spring 0-9746-484	N315231228	1	KS	EUR /
27	Screw 0-9016-454	N309599025	1	KS	EUR /
28	Spring element	S532097302223	1	KS	EUR /
29	Safety washer	S532092412463	1	KS	EUR /
30	Screw M 6X20	N309503548	1	KS	EUR /
31	Nut M 6 DIN 6926	N311129525	1	KS	EUR /
32	Washer 9 Zinc	N311212517	2	KS	EUR /
33	Washer 8	N311214502	6	KS	EUR /
34	Screw M 8x16 DIN 7500 D BN3326	N309578520	6	KS	EUR /
35	Lock ring 12	N311732009	7	KS	EUR /
36	Screw pr.16/M12-80 BN1359	N309578491	4	KS	EUR /
37	Nut M 12 DIN 6926	N311129526	4	KS	EUR /

Model: KSC2A-20-0001

Group: KSC07-13-0001

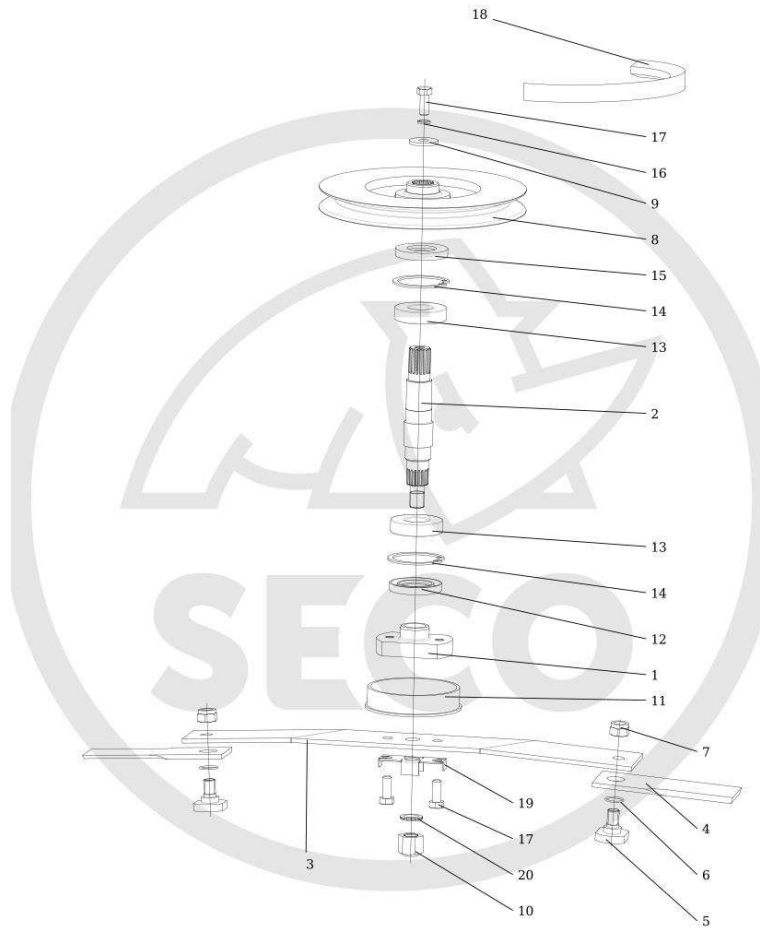
Croso Mowing unit no.1 - SC2



ID	Name	Item code	No.	UOM	Price
1	Cutting cover 92 SC2	S532950472303	1	KS	EUR /
2	Cover left compl.	S532985423883	1	KS	EUR /
3	Cover right compl.	S532985423893	1	KS	EUR /
4	Spring 0-9746-480	N315231221	4	KS	EUR /
5	Pin	S532093117613	4	KS	EUR /
6	Limiter	S532014409283	3	KS	EUR /
7	Chain stopper	S532113415743	2	KS	EUR /
8	Chain stopper front	S532113415733	1	KS	EUR /
9	Chain A6/4 . 9-8558-200	N318112030	27	KS	EUR /
10	Front shield washer	S532113408393	2	KS	EUR /
11	Shield frot 0-8542-406	N273192050	2	KS	EUR /
12	Rear shield washer 2	S532113408383	1	KS	EUR /
13	Shield rear 2 0-8532-408	N273192051	1	KS	EUR /
14	Shield washer rear 1	S532113408373	2	KS	EUR /
15	Shield rear 1 0-8532-407	N273192052	2	KS	EUR /
16	Screw M6X16	N309503508	9	KS	EUR /
17	Screw M8x25 Zinc	N309019508	20	KS	EUR /
18	Lock ring 7	N311732002	8	KS	EUR /
19	Nut M 8 DIN 6926 8 Zinc	N532150290	20	KS	EUR /
20	Washer 6.4	N311210502	9	KS	EUR /
21	Washer 6	N311214501	9	KS	EUR /
22	Cover 0-8540-646 plastic	N532151226	1	KS	EUR /
23	Protective tube left	S532913452093	1	KS	EUR /
24	Protective tube right	S532913452103	1	KS	EUR /

Model: KSC2A-20-0001
Group: KSC08-17-0001

Croso Mowing unit n.2

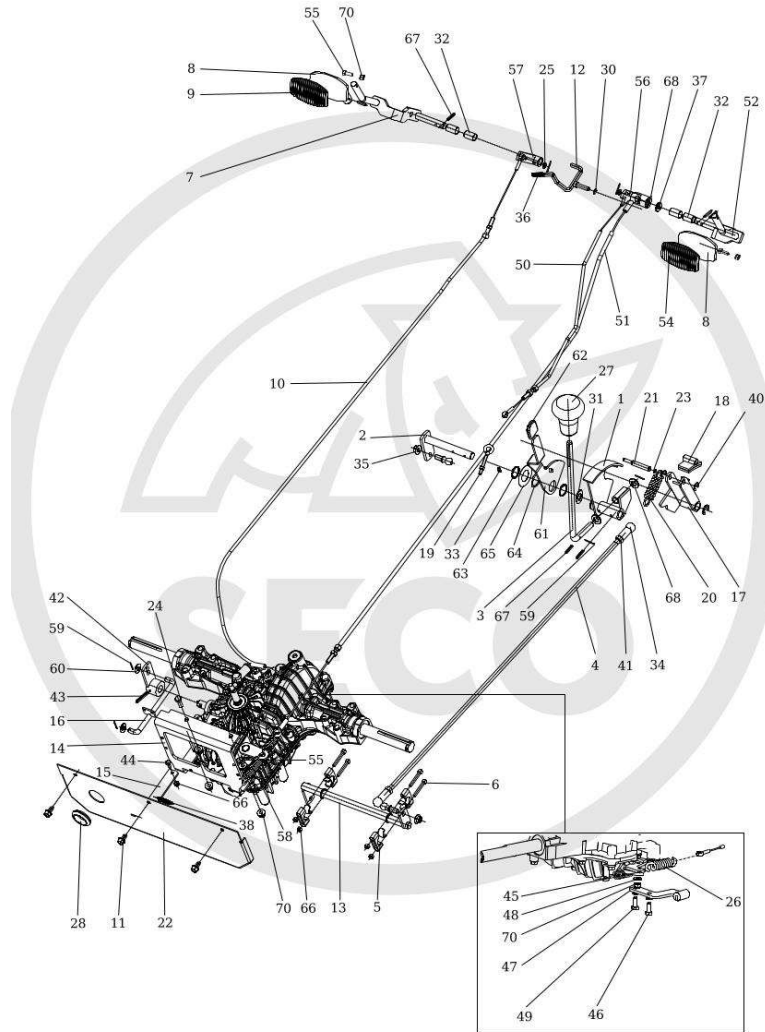


ID	Name	Item code	No.	UOM	Price
1	Flange	S532098212023	1	KS	EUR /
2	Cutting shaft	S532038152193	1	KS	EUR /
3	Carrier	S532050412233	1	KS	EUR /
4	Blade pair	S532950602033	1	KS	EUR /
5	Blade screw	S532090164643	2	KS	EUR /
6	Ring 22X2	N273111027	2	KS	EUR /
7	Nut M 16 Din 985-8-A3E	N311129503	2	KS	EUR /
8	Pulley 92	S532033252033	1	KS	EUR /
9	Washer	S532092207873	1	KS	EUR /
10	Nut 0-9125-226	N532150440	1	KS	EUR /
11	Cap complete	S532939352023	1	KS	EUR /
12	Shaft seal 45x72x10	N273521180	1	KS	EUR /
13	Bearing 6207 2 RS	N324162095	2	KS	EUR /
14	Lock ring 72	N311733093	2	KS	EUR /
15	Shaft sealing 35x72x10 GP	N273521179	1	KS	EUR /
16	Washer 12	N311214504	1	KS	EUR /
17	Screw M 12X30	N309503503	3	KS	EUR /
18	V-Belt 17X1890 Li OPTIBELT	N272731213	1	KS	EUR /
19	Washer	S532092304123	1	KS	EUR /
20	Washer NL 20 glued Zinc	N311219514	2	KS	EUR /

Model: KSC2A-20-0001

Group: KSC09-17-0001

Croso drive control

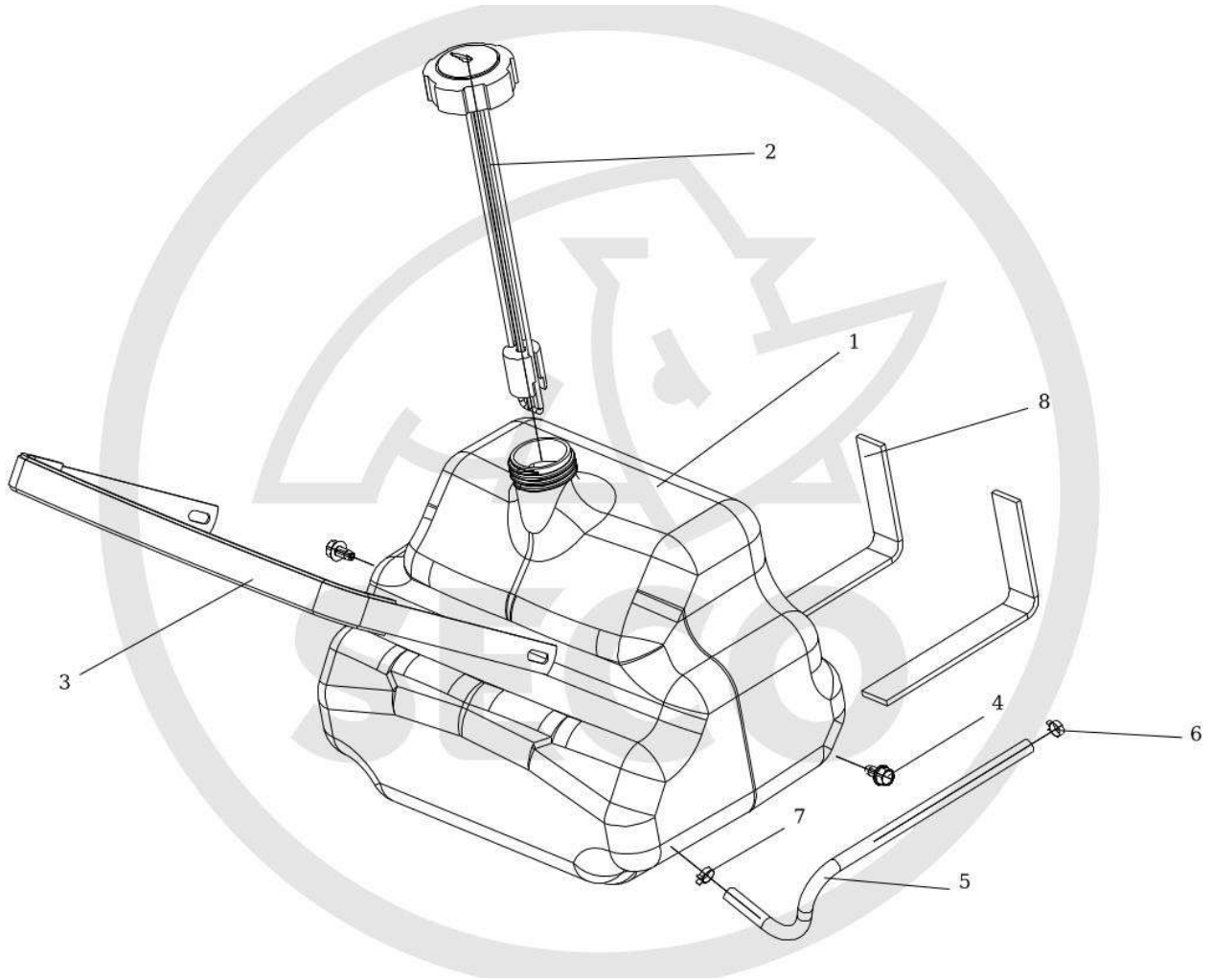


ID	Name	Item code	No.	UOM	Price
1	Hub of travel shifting	S532929462083	1	KS	EUR /
2	Travel pin	S532993362823	1	KS	EUR /
3	Travel lever	S532080403003	1	KS	EUR /
4	Tie rod 0-8010-201	N532151441	1	KS	EUR /
5	Bearing ESTM GT 16	N324196025	2	KS	EUR /
6	Screw M 6x40	N309543526	4	KS	EUR /
7	Pedal left	S532980462483	1	KS	EUR /
8	Pedal L,R	S532980462503	2	KS	EUR /
9	Pedal coating 273 151 010 160	N273151001	1	KS	EUR /
10	Connecting Diff.lock cable 9-8074	N443900119	1	KS	EUR /
11	Screw M 8x16 DIN 7500 D BN3326	N309578520	3	KS	EUR /
12	Brake arrestment	S532980463353	1	KS	EUR /
13	Pattern	S532929362073	1	KS	EUR /
14	Operating holder	S532013412073	1	KS	EUR /
15	Thrust tie rod	S532080402913	1	KS	EUR /
16	Gear-box tie rod	S532929362103	1	KS	EUR /
17	Hub complete	S532929362203	1	KS	EUR /
18	Brake lining	S532917722013	1	KS	EUR /
19	Screw M 6x50 with eye BN1006 Zinc	N309578514	1	KS	EUR /
20	Spring 0-9746-487	N315231230	2	KS	EUR /
21	Pin	S532193103723	1	KS	EUR /
22	Cover rear	S532085422073	1	KS	EUR /
23	Lock ring 4	N311732001	1	KS	EUR /
24	Screw M 8X25	N309503512	2	KS	EUR /
25	Washer 6.4	N311210502	2	KS	EUR /
26	Spring 0-9746-493 Diff.lock	N315231239	1	KS	EUR /
27	Handle 1066 PR. 12 black	N532150341	1	KS	EUR /
28	Rubber sleeve 38x32x3	N273121037	1	KS	EUR /
29	Zinc Angle Joint	N442073015	1	KS	EUR /
30	Lock ring 6	N311732007	1	KS	EUR /
31	Case MCM 25-03 M250	N532151564	1	KS	EUR /
32	Bushing 1425 KU Teflon	N323721011	4	KS	EUR /
33	Lubricating head MK 6x1	N425111004	1	KS	EUR /
34	Angular joint 16 DIN 71802 C M10	N442073021	1	KS	EUR /
35	Nut M 10 DIN 6923 8 Zinc. toothed	N311129516	2	KS	EUR /
36	Cover 8X40 Vinyl-Flex black	N532150209	1	KS	EUR /
37	Spindle 3.2x20	N311338516	1	KS	EUR /
38	Spring TZ 080.088.0312 Zinc	N315231224	1	KS	EUR /
39	Nut M 10	N311150506	1	KS	EUR /
40	Lock ring 7	N311732002	2	KS	EUR /
41	Nut M10 left	N311150514	1	KS	EUR /
42	LEVER - COMPLETE	S532929462053	1	KS	EUR /
43	Spring pin 6X40	N315238049	1	KS	EUR /

44	Screw M 6X20	N309503548	1 KS	EUR /
45	Foot complete	S532980365163	1 KS	EUR /
46	Screw M 8X25	N309503512	1 KS	EUR /
47	Holder	S532913462813	1 KS	EUR /
48	Washer 8	N311214502	2 KS	EUR /
49	Screw M8X30 DIN 7500D BN 3326	N309578518	2 KS	EUR /
50	Cruise control cable 9-8074-308	N443900152	1 KS	EUR /
51	Connecting brake cable 9-8074-304	N443900121	1 KS	EUR /
52	Pedal right	S532980462493	1 KS	EUR /
53	Brake pedal	S532980463183	1 KS	EUR /
54	Pedal coating 273 151 010 160	N273151001	1 KS	EUR /
55	SCREW M 8X55	N309201519	5 KS	EUR /
56	Latch complete	S532980463333	1 KS	EUR /
	Hub complete	S532929362183	1 KS	EUR /
58	Spring TZ 1.6x14.4x56x20 Zinc	N315231042	1 KS	EUR /
59	Spindle 2x20	N311338501	8 KS	EUR /
60	Washer 13	N311210505	2 KS	EUR /
61	Cruise-control lever	S532914322013	1 KS	EUR /
62	Cap 25x5Rx40Vinyl Flex red	N532151130	1 KS	EUR /
63	Lock ring 25	N311733014	2 KS	EUR /
64	Spring washer W 61520	N311219522	1 KS	EUR /
65	Washer	S532092208083	1 KS	EUR /
66	Nut M 6	N311129513	6 KS	EUR /
67	Spring pin 5X25	N315238036	5 KS	EUR /
68	Washer 10.5	N311210504	3 KS	EUR /
69	Lock ring 12	N311732009	3 KS	EUR /
70	Nut M 8 DIN 6926 8 Zinc	N532150290	7 KS	EUR /

Model: KSC2A-20-0001
Group: KSC10-17-0001

Croso- Fuel tank

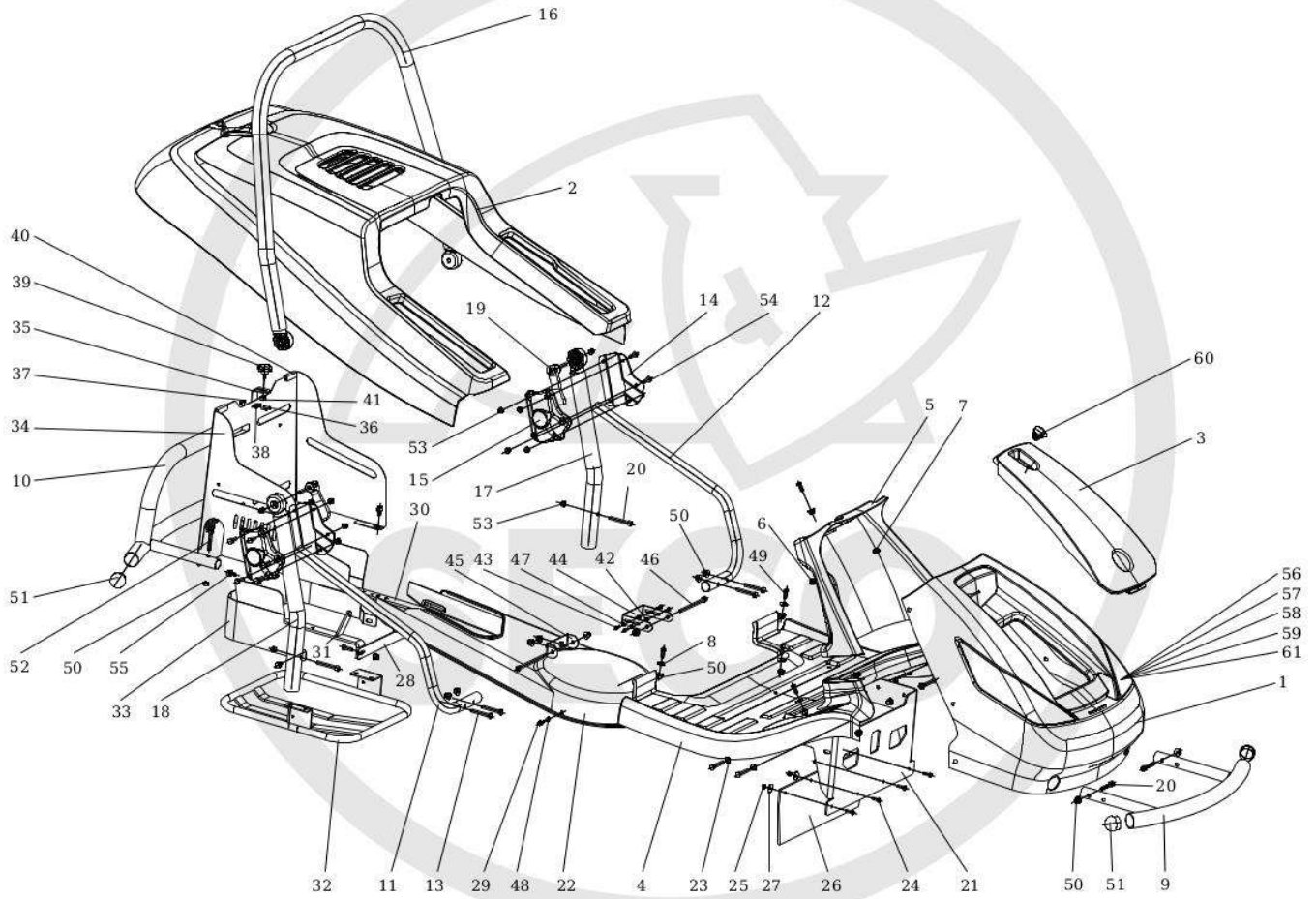


ID	Name	Item code	No.	UOM	Price
1	Fuel tank front 0-2766-210 19.15L	N232130029	1	KS	EUR /
2	Fuel tank cap with gauge L=13"	N532151566	1	KS	EUR /
3	Tank belt	S532013412123	1	KS	EUR /
4	Screw M 8x16 DIN 7500 D BN3326	N309578520	2	KS	EUR /
5	Fuel hose SC	S532986018023	1	KS	EUR /
6	Hose clip 8-12 Zinc	N548241017	1	KS	EUR /
7	Clip UM 5008	N000532058	1	KS	EUR /

Model: KSC2A-20-0001

Group: KSC11-17-0004

Croso hood



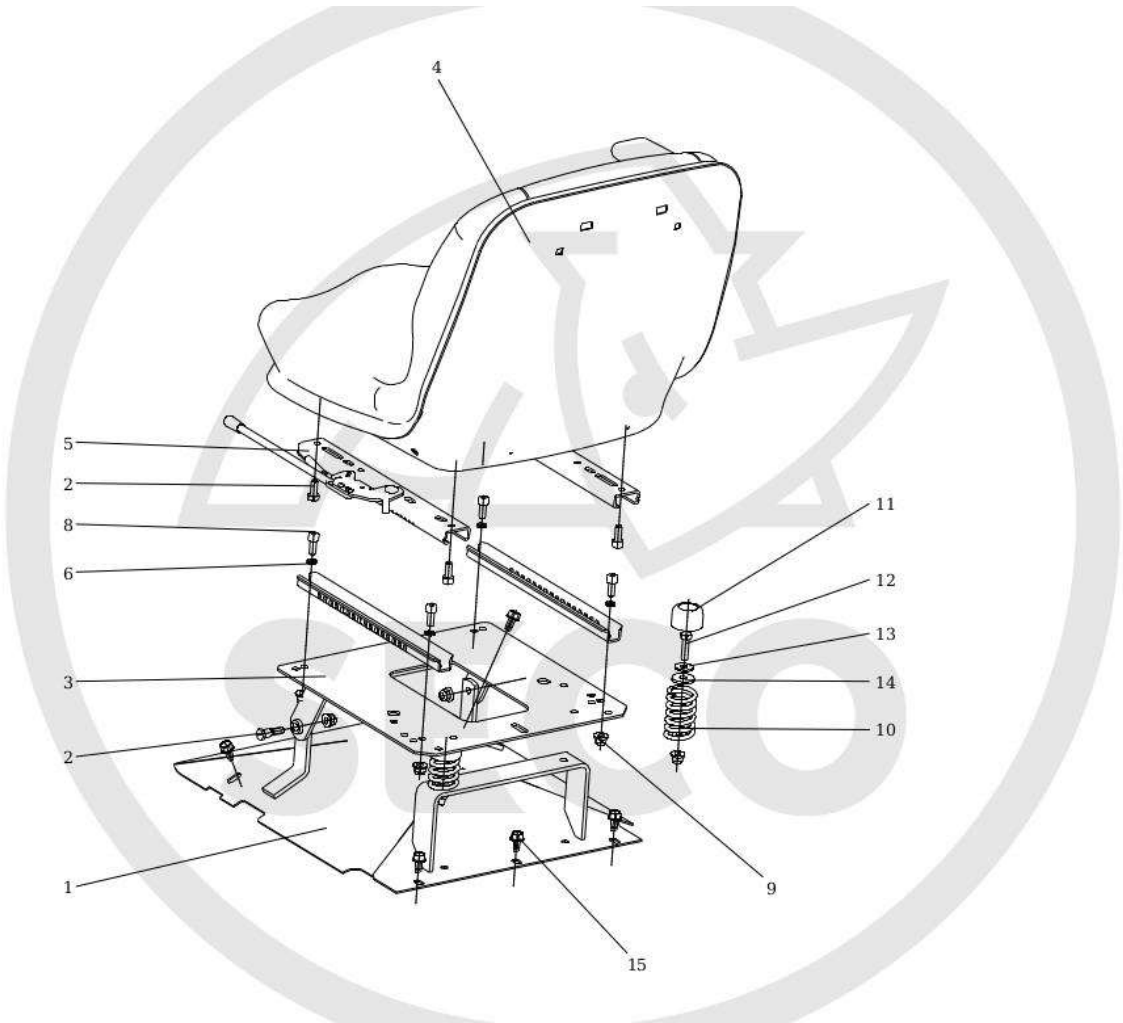
ID	Name	Item code	No.	UOM	Price
1	Hood 9-1849-435	N532.....	1	KS	EUR /
2	Engine cover rear 9-1847-218	N532.....	1	KS	EUR /
3	Battery cover 0-1847-213	N532.....	1	KS	EUR /
4	Floor 0-1847-428 SC	N532151113	1	KS	EUR /
5	Panel 0-8048-240 SC	N532151461	1	KS	EUR /
6	Seating D7-201-802-010	N532150903	10	KS	EUR /
7	Pin D7-201-711-010	N532150904	10	KS	EUR /
8	Washer 10.5	N311210504	5	KS	EUR /
9	Bumper front SC	S532918462323	1	KS	EUR /
10	Bumper rear	S532918462313	1	KS	EUR /
11	Handle right	S532013425593	1	KS	EUR /
12	Handle left	S532013425603	1	KS	EUR /
13	SCREW M 8X55	N309201519	4	KS	EUR /
14	Tube connection A 01847-431	N532151104	2	KS	EUR /
15	Tube connection B 01847-432	N532151105	2	KS	EUR /
16	Folding frame complete	S532985423853	1	KS	EUR /
17	Frame pipe Left	S532985423833	1	KS	EUR /
18	Frame pipe Right	S532985423843	1	KS	EUR /
19	Excentric lever 0432-201108X50	N532151102	2	KS	EUR /
20	Screw M 8x55 8.8 A2L ISO 4762	N309543010	6	KS	EUR /
21	Cover front	S532085412053	1	KS	EUR /
22	Belt cover 0-8540-202 SC	N532151447	1	KS	EUR /
23	Washer 8.4	N311210503	4	KS	EUR /
24	Screw M 6X20	N309503548	4	KS	EUR /
25	Nut M 6	N311129513	4	KS	EUR /
26	Cover 0-8530-613	N273192019	1	KS	EUR /
27	Washer 6.6	N311212520	4	KS	EUR /
28	Cover holder	S532913362023	1	KS	EUR /
29	SCREW M 6X16 DIN 7500D BN 3326	N309578517	2	KS	EUR /
30	Washer	S532092402553	1	KS	EUR /
31	Washer complete	S532992462023	1	KS	EUR /
32	Safety frame	S532913462033	1	KS	EUR /
33	Deflector	S532085412063	1	KS	EUR /
34	Cover rear	S532085412043	1	KS	EUR /
35	Holder	S532113408033	1	KS	EUR /
36	Screw M 4X16	N309203518	2	KS	EUR /
37	Nut M4	N311129514	2	KS	EUR /
38	Washer 4.3	N311210506	2	KS	EUR /
39	Control star STG2A 40 M6X15	N532150980	1	KS	EUR /
40	Braid	S532096342193	2	KS	EUR /
41	Cage nut MK-1-6-8316	N311101001	1	KS	EUR /
42	Nut M 5 DIN 6926 Zinc	N311129524	4	KS	EUR /
43	Screw M 5X16	N309203539	4	KS	EUR /

44	Hood holder left	S532113415343	1 KS	EUR /
45	Hood holder right Complete	S532913413253	1 KS	EUR /
46	Screw M 8X120	N309543524	2 KS	EUR /
47	Washer 5.3	N311210501	4 KS	EUR /
48	Spacer RRSN 62100 08GF	N532151443	2 KS	EUR /
49	Screw M 8x20 ISO 7380 10.9 Zinc	N309578522	6 KS	EUR /
50	Nut M 8 DIN 6926 8 Zinc	N532150290	32 KS	EUR /
51	Dished plug 40mm	N321841087	4 KS	EUR /
52	Screw M 8x45 8.8 A2L ISO 4762	N309543011	4 KS	EUR /
53	Nut M 8	N311129501	18 KS	EUR /
54	Screw M 8X25	N309503512	12 KS	EUR /
55	Screw M 8x16 DIN 7500 D BN3326	N309578520	5 KS	EUR /
56	Cover glas for reflector (pair)	N532151134	1 SD	EUR /
57	Reflector headlight (pair) Crossj	N532151135	1 SD	EUR /
58	Headlight Crossjet (spare part)	N532151136	1 SD	EUR /
59	Lightbulb 12V 20W, header GV4	N347224008	2 KS	EUR /
60	Not used in this performance	NK00000000	1 KS	EUR /
61	LED diodes harness SCKS004027	N341271166	1 KS	EUR /

Model: KSC2A-20-0001

Group: KSC15-18-0001

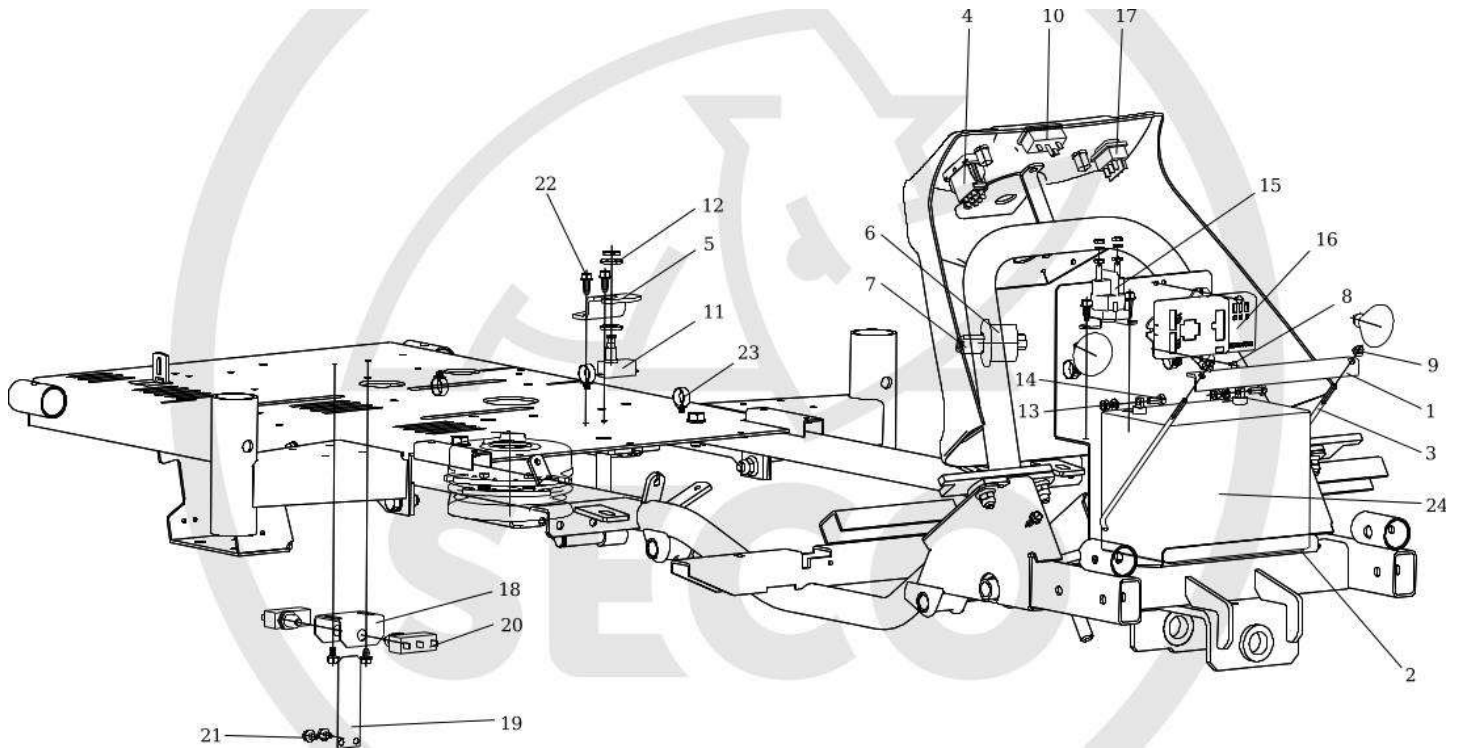
Croso hood nr.2



ID	Name	Item code	No.	UOM	Price
1	Seat pyramid	S532985472023	1	KS	EUR /
2	Carrier screw	S532090164623	2	KS	EUR /
3	Seat carrier	S532918473333	1	KS	EUR /
4	Seat COBO PS 48 E8098.017 black	N532151636	1	KS	EUR /
5	Mechanism Cobo sliding	N532150562	1	KS	EUR /
6	Washer 8.4	N311210503	4	KS	EUR /
7	Screw M8X20	N309503518	2	KS	EUR /
8	Screw M 8X20	N309543506	6	KS	EUR /
9	Nut M 8 DIN 6926 8 Zinc	N532150290	8	KS	EUR /
10	Spring 0-9746-503	N315231262	2	KS	EUR /
11	Cover 38/A PVC Black	N532150208	2	KS	EUR /
12	Screw M 8X30	N309503515	2	KS	EUR /
13	Washer 9 Zinc	N311212517	2	KS	EUR /
14	Washer 9 Zinc	N311212508	2	KS	EUR /
15	Screw M 8x16 DIN 7500 D BN3326	N309578520	5	KS	EUR /

Model: KSC2A-20-0001
Group: KSC13-17-0001

Croso electrical installation

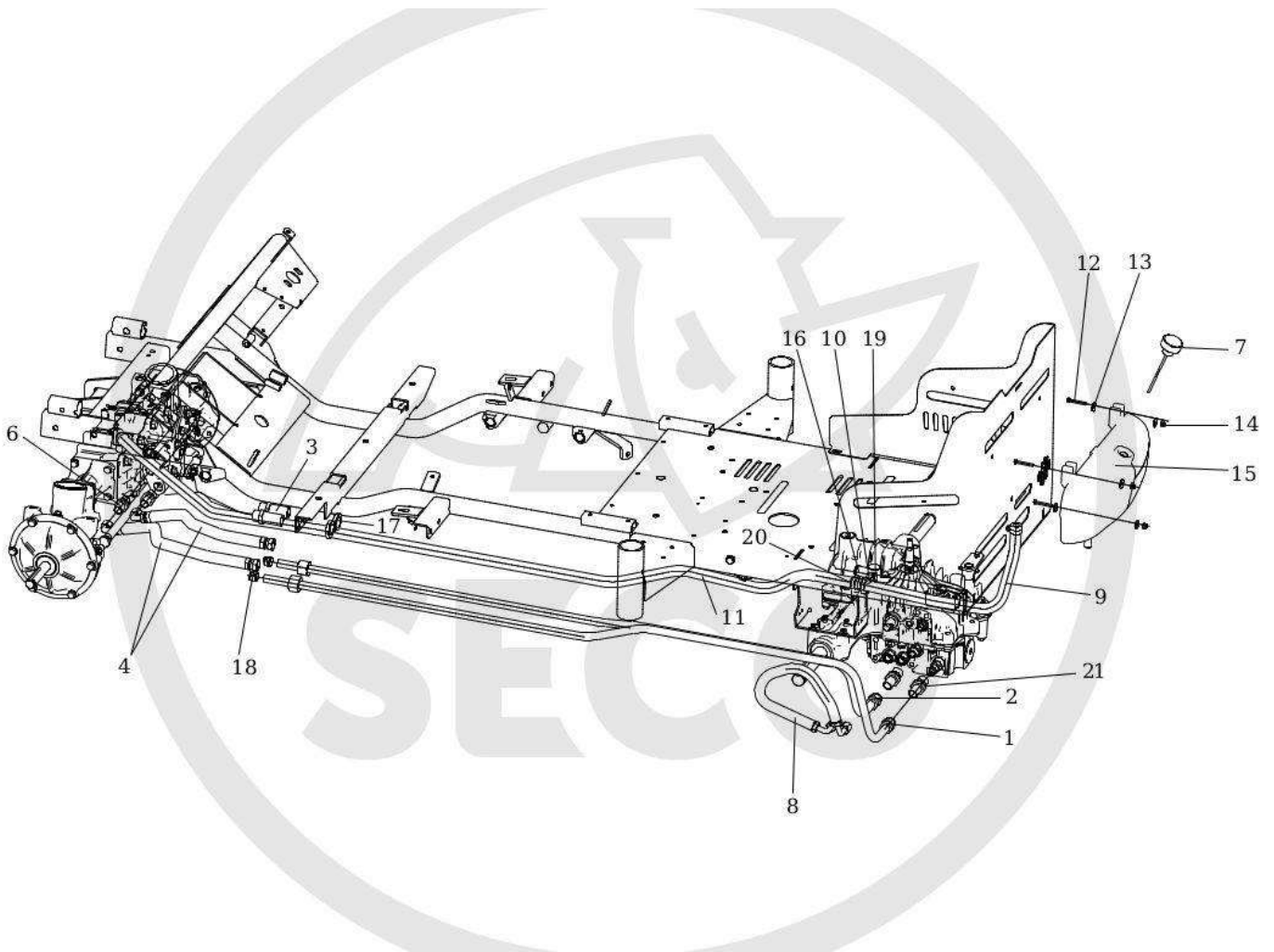


ID	Name	Item code	No.	UOM	Price
1	Battery holder	S532113403243	1	KS	EUR /
2	WASHER 0-9630-307 T3	N273192028	1	KS	EUR /
3	Wire 0-9040-203	N532150464	2	KS	EUR /
4	Switch VDD2S001 9ZZCR 100	N345329023	1	KS	EUR /
5	Switch holder	S532013412113	1	KS	EUR /
6	Switch box Delta 6900-47 P	N443861007	1	KS	EUR /
7	Starting key DELTA 688P-001	N443900137	1	SD	EUR /
8	Rivet 282702	N532151116	2	KS	EUR /
9	Nut M 5 DIN 6926 Zinc	N311129524	2	KS	EUR /
10	Hour-meter SEN DEC DIGITAL	N443433003	1	KS	EUR /
11	Seat switch Delta 6440-04	N000532079	1	KS	EUR /
12	Cap DELTA 9910 rubber	N532151567	1	KS	EUR /
13	Nut M6	N311150504	2	KS	EUR /
14	Screw M 6X20	N309503548	2	KS	EUR /
15	Solenoid Trombetta 764-1221-210	N532151619	1	KS	EUR /
16	Module KS 004065	N341271190	1	KS	EUR /
17	Switch 1932.3413	N345329025	1	KS	EUR /
18	Sensor holder	S532014402183	1	KS	EUR /
19	Neutral spring	S532097412083	1	KS	EUR /
20	Microswitch MKH 12 D 13-S1	N345359004	2	KS	EUR /
21	Screw M 6x10 DIN 7500 D	N309578545	4	KS	EUR /
22	SCREW M 6X16 DIN 7500D BN 3326	N309578517	5	KS	EUR /
23	Clip WSBH 1-0-1	N532150211	6	KS	EUR /
24	Battery 12V-24Ah dry,charged	N346211006	1	KS	EUR /

Model: KSC2A-20-0001

Group: KSC19-20-0001

Croso Hydraulic distribution

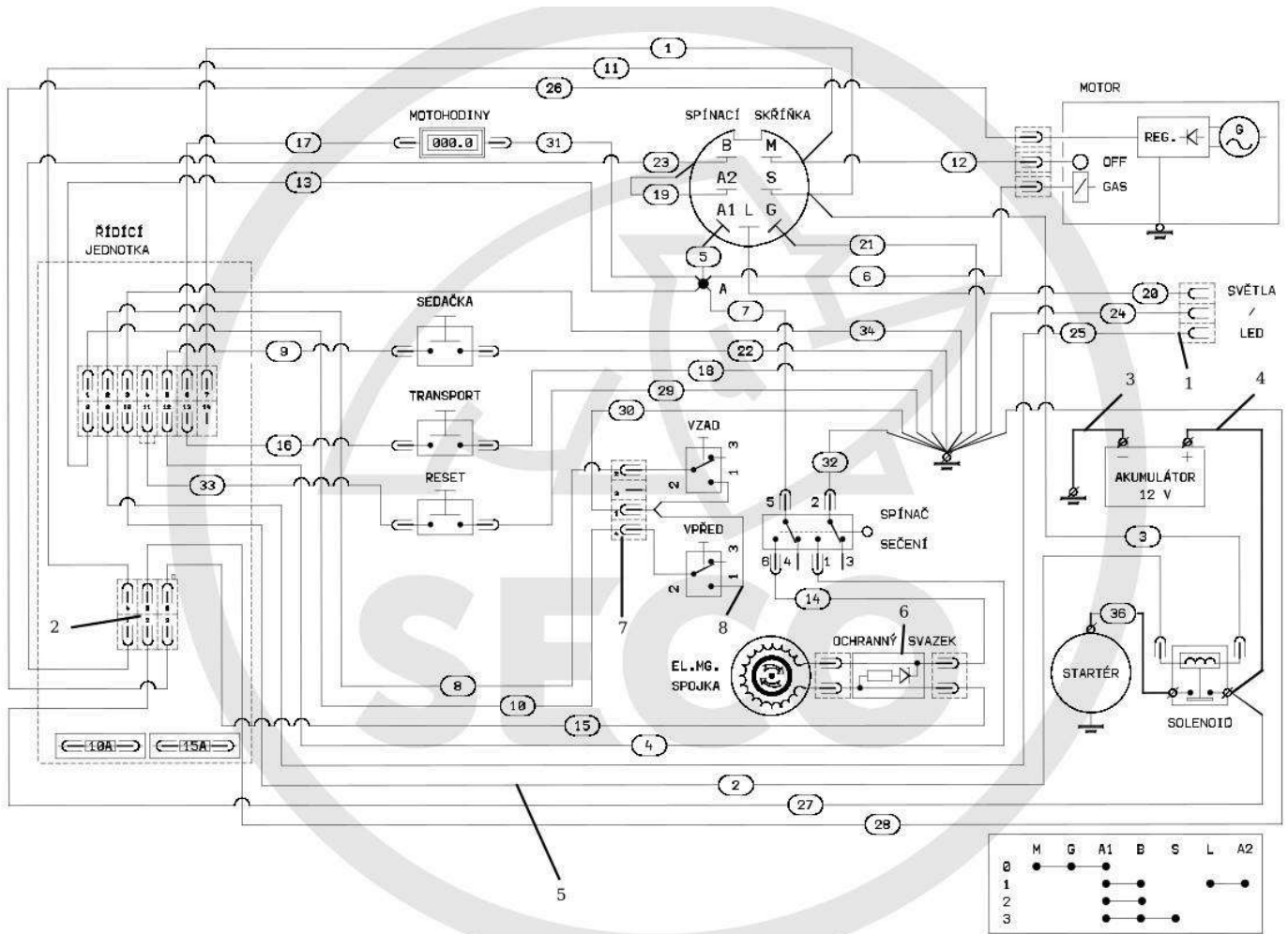


ID	Name	Item code	No.	UOM	Price
1	Tube bottom compl. 9-8237-204	N532151735	1	KS	EUR /
2	Tube upper compl. 9-8237-203	N532151734	1	KS	EUR /
3	Clutch SVL-15 direct panel	N336681011	2	KS	EUR /
4	Hydraulic hose DN12-470	N336631106	2	KS	EUR /
5	Not used in this performance	NK00000000	1	KS	EUR /
6	Throat XAL 15-3/4 UNF WD	N336681010	2	KS	EUR /
7	stop gap 1-9310-763	N532150766	1	KS	EUR /
8	Hydraulic hose DN10-580	N336631108	1	KS	EUR /
9	Hose exp. tank	S532082204203	1	KS	EUR /
10	Hose exp.	S532082204213	1	KS	EUR /
11	Hose exp.	S532082204223	1	KS	EUR /
12	Screw M 5X35	N309203556	3	KS	EUR /
13	Washer 5.5 Zinc	N311212518	6	KS	EUR /
14	Nut M 5 DIN 6926 Zinc	N311129524	3	KS	EUR /
15	Tank 0-2766-217	N232130017	1	KS	EUR /
16	Clip TS 13	N532151101	1	KS	EUR /
17	Nut KML-15	N336681014	4	KS	EUR /
18	Throat 9/16-18 UNF/M18x1.5DIN2353	N336681015	2	KS	EUR /
19	Throat 0-8247-203 cast compl.	N203801047	1	KS	EUR /
20	Wire screw-in clip W19-22mm	N548241022	6	KS	EUR /
21	Screw-coupling XG-15L/DKOR-3/8	N336681028	2	KS	EUR /

Model: KSC2A-20-0001

Group: KSC13-15-0031

Croso wiring diagram



ID	Name	Item code	No.	UOM	Price
	Lights cable harness	N341271159	1	KS	EUR /
2	Wiring harness KS004075	N341271191	1	KS	EUR /
3	Cable 9-8316-586	N341271057	1	KS	EUR /
4	Cable 9-8316-588	N341271059	1	KS	EUR /
5	Cable bunch KS 004066	N341271189	1	KS	EUR /
6	Protective diodes harness 9-8316-	N341271052	1	KS	EUR /
7	Bunch, neutral signall. KS004079	N341271192	1	KS	EUR /
8	Switches harness KS 004081	N341271193	1	KS	EUR /