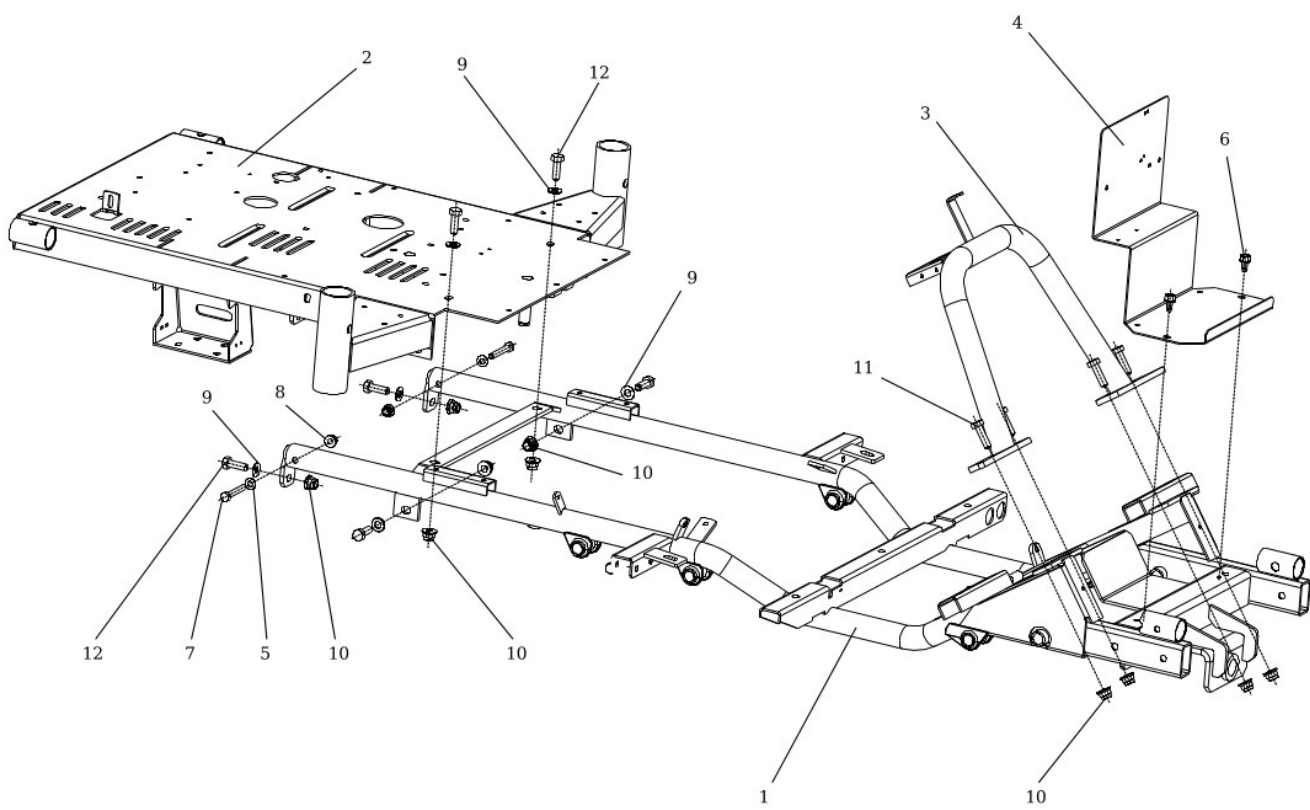


Katalog : KSC2A-19-0013

Skupina : KSC01-16-0001 Croso Caiman green engine

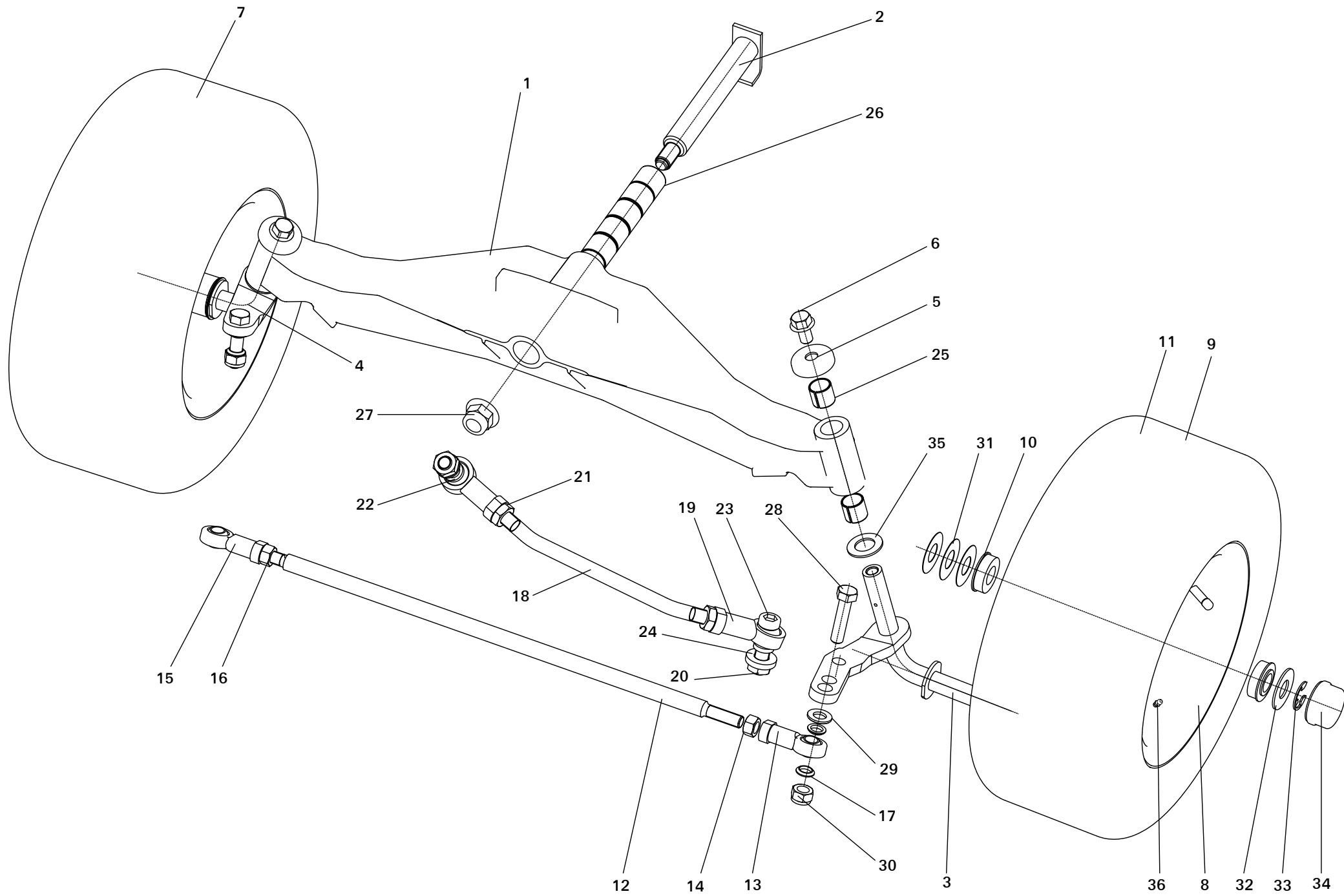
Pos.	Qty.	Pol.	Descript
1	1,00	N482349031	Caiman Green engine
2	1,00	N339242008	Elmag. clutch 5217-58
3	1,00	N532991053	Transmission K62 Q Tuff Torq with
4	1,00	N532151254	Reducer to engine
5	1,00	S532927472013	Exhaust Loncin
6	1,00	N532151253	Hose with cap
7	1,00	N309503551	Screw M 6X25
8	1,00	N311210502	Washer 6.4
9	1,00	S532092208583	Distance ring
10	1,00	N311129517	Nut M 6 DIN 6923 8 Zinc. toothed
11	4,00	N309503544	Screw M 8X40
12	4,00	N311210503	Washer 8.4
13	1,00	N311726101	Key 0-9231-213
14	1,00	N311219516	Washer NL 11 glued Dacromet
15	1,00	N309579506	Screw 7/16 X 2 3/4 Unf Zinc
16	2,00	N311129525	Nut M 6 DIN 6926
17	1,00	N548241028	Hose clip 9W1 16-25 EURO
18	1,00	S532013409173	Clutch stopper
19	4,00	N309501571	Screw M8x80
20	1,00	N272731214	V-Belt 13X830 LP OPTIBELT
21	1,00	S532933252873	Travel pulley
22	1,00	S532075412033	Cooling fan 4X4
23	1,00	N311129502	Nut M 10
24	1,00	N311210504	Washer 10.5
25	1,00	N311733016	Lock ring 28
26	2,00	N309503575	Screw M 6X20 DIN 912 8.8 ZINK
27	1,00	N273111060	Ring 28x1,5 NBR DIN3770
28	1,00	S532913462123	Pulley holder
29	2,00	N323721004	Bushing 1615 KU Teflon
30	1,00	N000532003	Pulley F3000-0750 metal
31	1,00	N311733007	Lock ring I7
32	2,00	N311219496	Washer 16X22X1 DIN 988 L 07
33	1,00	N311732009	Lock ring 12
34	1,00	N315231230	Spring 0-9746-487
35	1,00	N309599025	Screw 0-9016-454
36	1,00	S532113404613	Spring holder
37	1,00	S532085427063	Exhaust bend cover
38	1,00	N532150439	Engine pulley 9-3325-267
39	1,00	S532013422053	Travel gate
40	4,00	N309578520	Screw M 8x16 DIN 7500 D BN3326
41	1,00	N443612017	Choke 9-8074-202
42	1,00	N443900103	Throttle lever 9-8071-229
43	1,00	N443900138	Throttle lever 0-8060-239
44	1,00	N309231535	Screw M 4X14 021131.25
45	1,00	N311129514	Nut M4
46	2,00	N309578532	Screw M 5x16 ISO 7380 8.8
47	2,00	N311129524	Nut M 5 DIN 6926 Zinc
48	1,00	S532085412033	Exhaust cover
49	1,00	S532085415653	Exhaust cover
50	2,00	N309503508	Screw M6X16
51	13,00	N532150290	Nut M 8 DIN 6926 8 Zinc
52	4,00	N309503512	Screw M 8X25



Katalog : KSC2A-19-0013

Skupina : KSC02-17-0001 Croso Frame

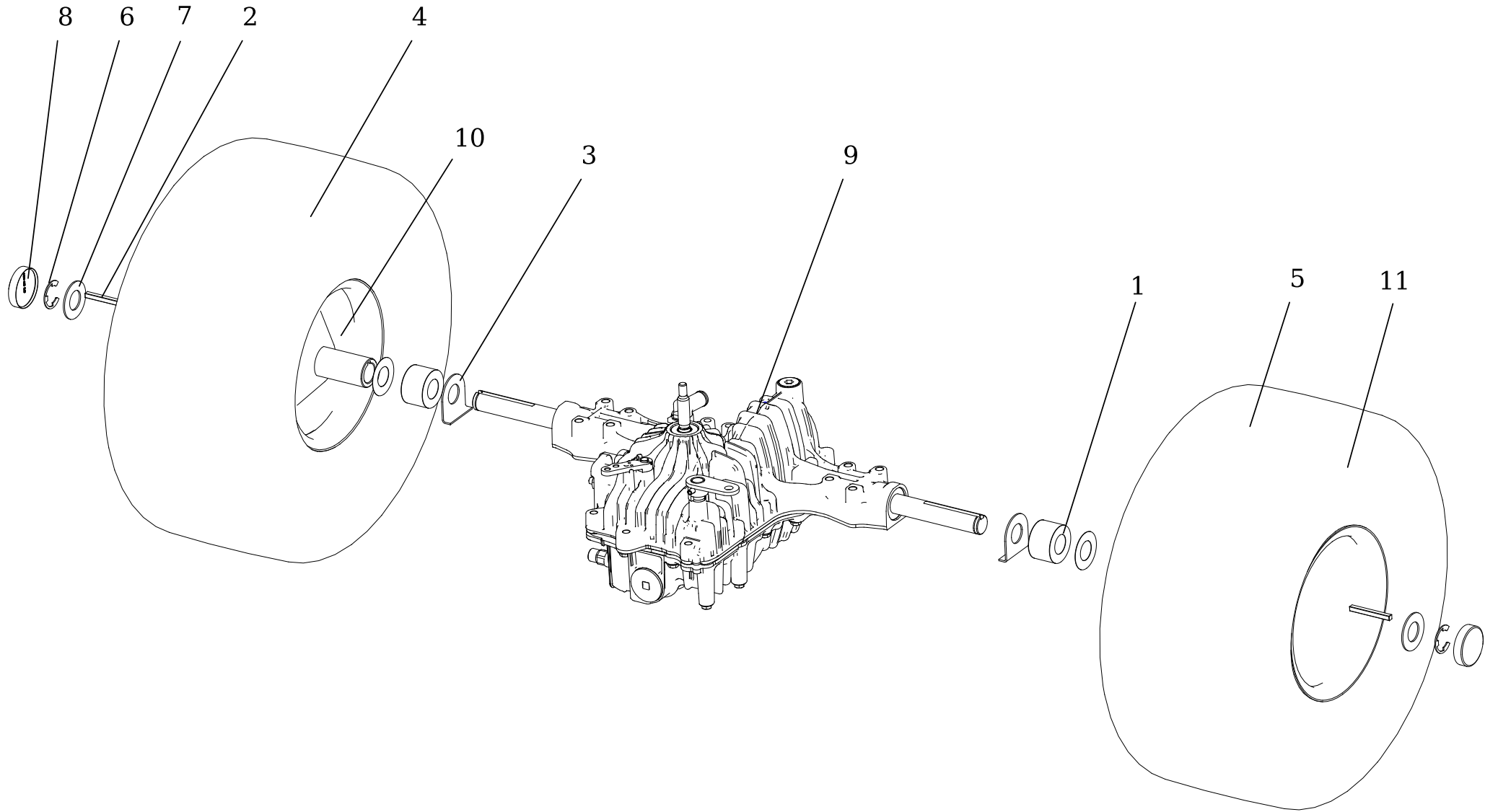
Pos.	Qty.	Pol.	Descript
1	1,00	S532912472013	Frame devided SC
2	1,00	S532927962163	Engine chamber complete
3	1,00	S532915462333	Steereng wheel brace
4	1,00	S532013422143	Battery holder
5	2,00	N311210503	Washer 8.4
6	2,00	N309578520	Screw M 8x16 DIN 7500 D BN3326
7	2,00	N309201519	SCREW M 8X55
8	2,00	N532150290	Nut M 8 DIN 6926 8 Zinc
9	6,00	N311210504	Washer 10.5
10	10,00	N311129523	Nut M 10 DIN 6926 Zinc
11	4,00	N309503523	Screw M 10X35
12	6,00	N309503510	Screw M 10X30



Katalog : KSC2A-19-0013

Skupina : KSC03-18-0001 Croso frontaxle 4x2

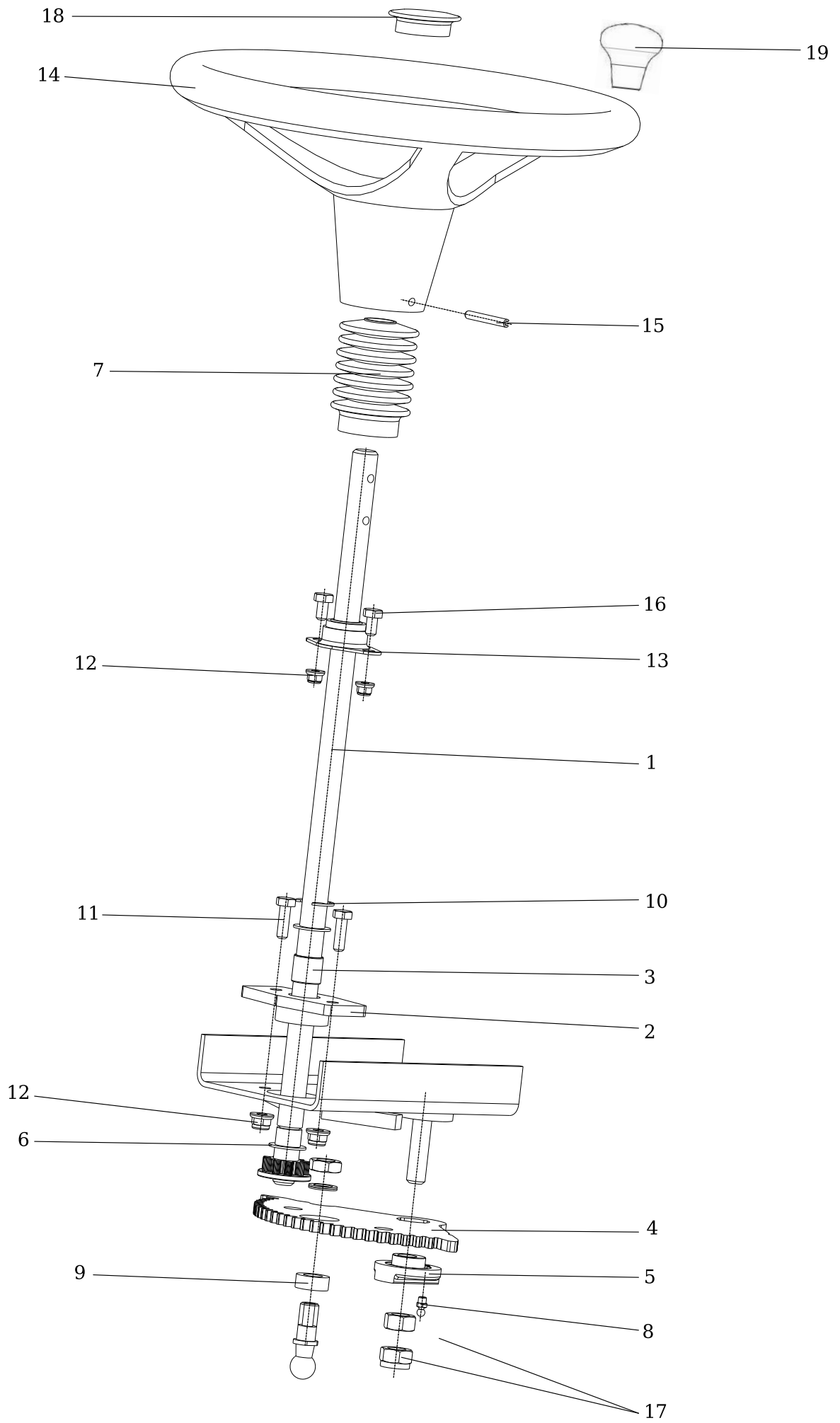
Pos.	Qty.	Pol.	Descript
1	1,00	S532016542043	Front axle 4x2 SC/GC
2	1,00	S532993122783	Pin complete
3	1,00	S532993462393	Right pin complete
4	1,00	S532993462403	Left pin complete
5	2,00	S532039472153	Cover
6	2,00	N309578530	Screw M12X20 BN 2797 Ripp
7	1,00	N532940173	Wheel front L 16x6.50-8 TRAC MAST
8	1,00	N325111024	Wheel disc front 5.50AX8H2 OTR 20
9	2,00	N274161016	Tyre 16X6.50-8 CROSS 4X4
10	2,00	N324196019	Front wheel bearing 3/4 Compensa
11	1,00	N532940174	Wheel front R 16x6.50-8 TRAC MAST
12	1,00	N532980147	Connecting rod 0-9010-568
13	1,00	N442073028	Joint head PHS 12 CN
14	1,00	N311150503	Nut M 8
15	1,00	N442073029	Joint head PHS 12L CN
16	1,00	N311150516	Nut M 12 L
17	4,00	S532095202033	Spacer
18	1,00	S532080102033	Connecting rod
19	2,00	N442073031	Joint head PHS 14 REX
20	1,00	N311129529	Nut M 14 RIPP DIN 6923
21	3,00	N311120542	Nut M 14
22	1,00	N311219517	Washer NL14 glued Zinc
23	2,00	S532190161013	Screw
24	2,00	S532095209013	Spacer
25	1,00	N323721002	Bushing 1920 KU
26	5,00	N323721015	Bearing bushing WSM-2528-25W300
27	1,00	N311129527	Nut M 16 DIN 6926
29	2,00	N311210505	Washer 13
30	2,00	N311129505	Nut M 12
31	6,00	S532092208153	Washer
32	2,00	S532092208363	Washer
33	2,00	N311732023	Lock ring E-75 3/4
34	2,00	N532150915	Cover 0-8025-237
35	2,00	S532092207953	Washer
36	2,00	N425111004	Lubricating head MK 6x1



Katalog : KSC2A-19-0013

Skupina : KSC04-18-0001 Croso rear axle 4x2

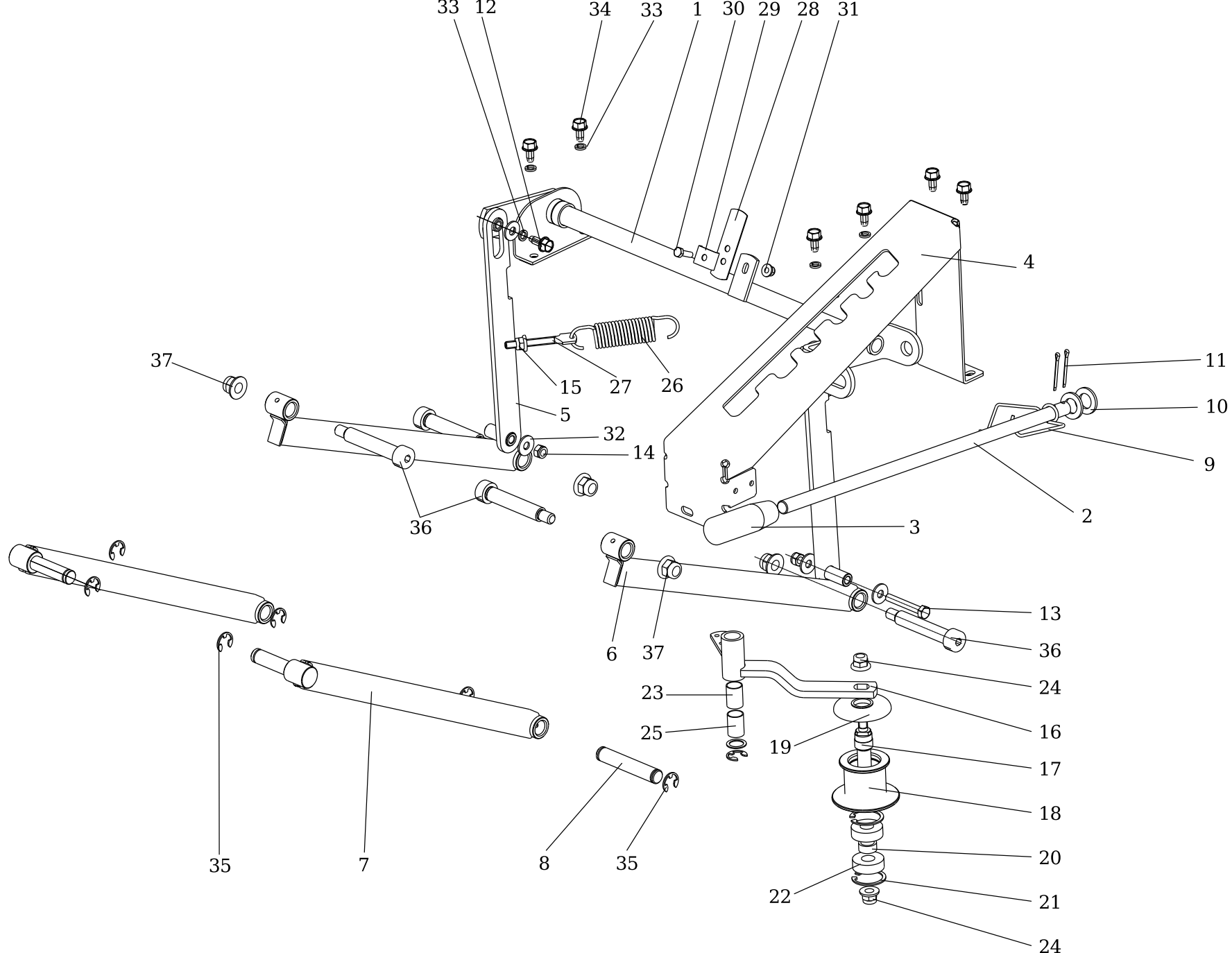
Pos.	Qty.	Pol.	Descript
1	2,00	S532195203703	Spacer
2	2,00	S532092312243	Spring
3	2,00	S532092208553	Washer
4	1,00	N532940176	Wheel rear R 20x10.00-8 TRAC MAST
5	1,00	N532940175	Wheel rear L 20x10.00-8 TRAC MAST
6	2,00	N311732024	Lock ring SE-98 1
7	6,00	S532092208083	Washer
8	2,00	N532151655	Cap 0-8025-201 49x25
9	1,00	N532991053	Transmission K62 Q Tuff Torq with
10	2,00	N325111028	Wheel disc rear 7.00IX8H2 OTR 202
11	2,00	N274161015	Tyre 20X10.00-8 CROSS 4X4



Katalog : KSC2A-19-0013

Skupina : KSC05-15-0001 Croso Steering

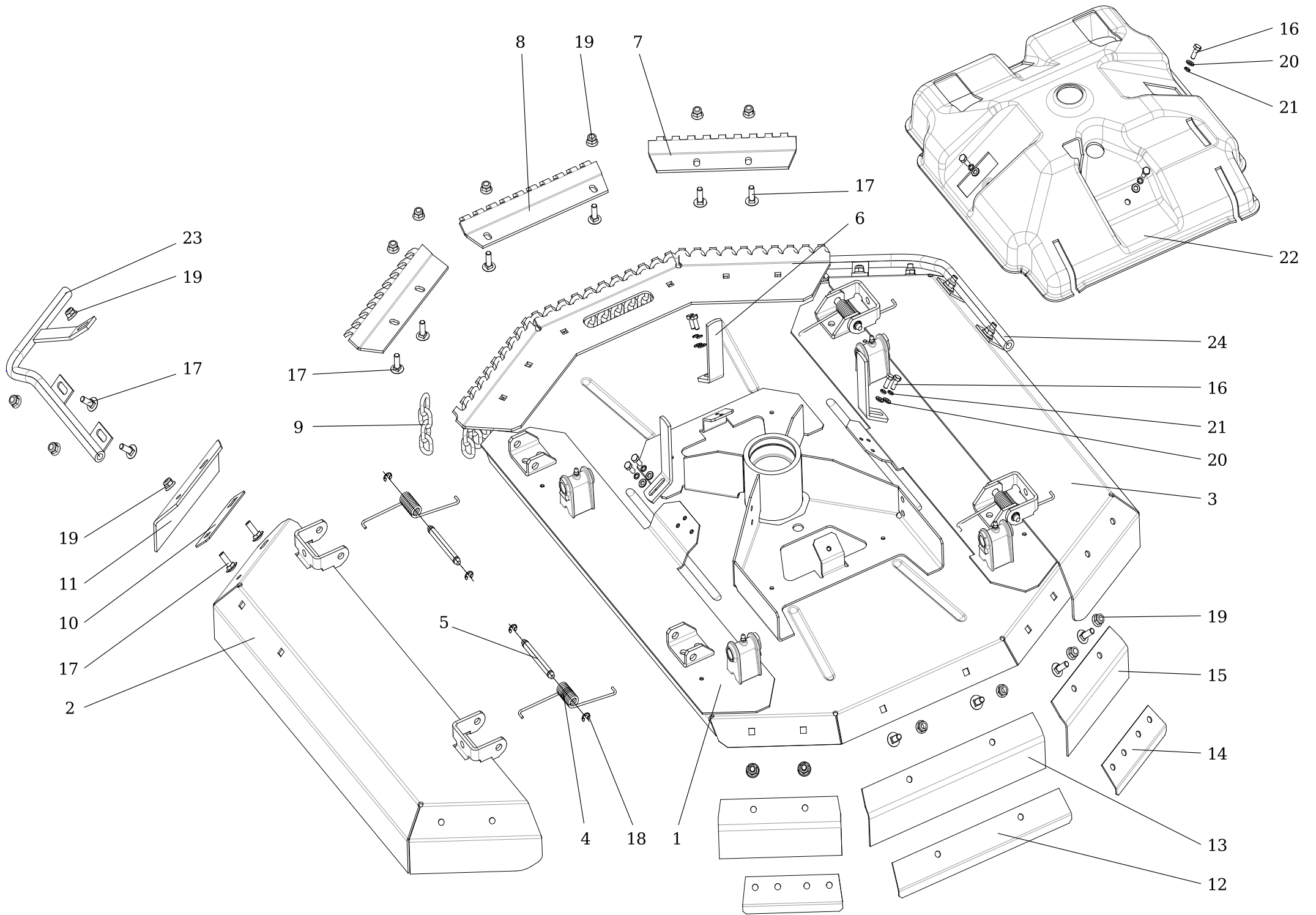
Pos.	Qty.	Pol.	Descript
1	1,00	S532033322013	Toothed segment 27 Z
1	1,00	S532938252013	Pinion complete
2	1,00	S532038523863	Bearing
3	1,00	N323721002	Bushing 1920 KU
5	1,00	S532080272053	Eccentric
6	2,00	S532092207583	Washer
7	1,00	S532096263753	Steering wheel cover
8	1,00	N425111004	Lubricating head MK 6x1
9	1,00	S532080202883	Spacer
10	1,00	N311732008	Lock ring 15
11	2,00	N309503512	Screw M 8X25
12	4,00	N532150290	Nut M 8 DIN 6926 8 Zinc
13	1,00	N000324001	Spherical bearing FLW 12
14	1,00	N443821008	Steering wheel Cobo PP031
15	1,00	N315238031	Spring pin 6x45
16	2,00	N309503517	Screw M 8X16
17	2,00	N311129528	Nut M 14
18	1,00	N532151106	Cover COBO 0047
19	1,00	N443821010	Control knob Cobo PP031



Katalog : KSC2A-19-0013

Skupina : KSC06-15-0001 Croso Lifting

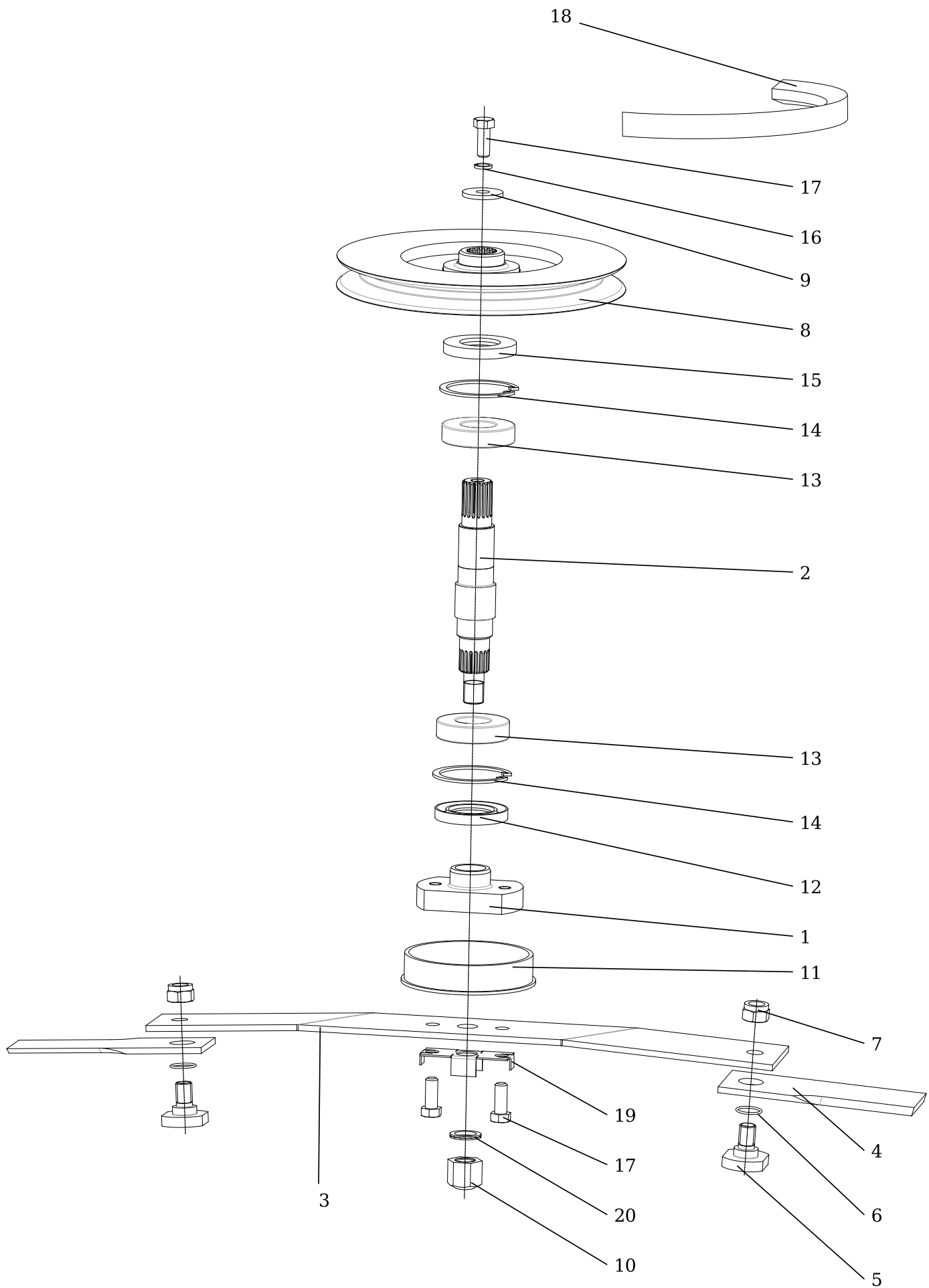
Pos.	Qty.	Pol.	Descript
1	1,00	S532980702173	Cutting lifting
2	1,00	S532080112443	Stick
3	1,00	N532150425	Handle 1003 PR. 15 black
4	2,00	S532013422063	Cutting lifting gate
5	2,00	S532080312313	Cutting arm
6	2,00	S532980365383	Lifting arm rear
7	2,00	S532980365233	Lifting arm, front, right
8	2,00	S532193103673	Pin
9	1,00	N315231222	Spring 0-9746-481
10	2,00	N311210511	Washer 15
11	2,00	N311338524	Spindle 3.2x36
12	2,00	N309578009	Screw M8x20 DIN 7500D BN 3326
13	4,00	N309201519	SCREW M 8X55
14	2,00	N311129501	Nut M 8
15	1,00	N532150290	Nut M 8 DIN 6926 8 Zinc
16	1,00	S532913463193	Pulley holder
17	1,00	S532038128423	Shaft
18	1,00	S532033232383	Pulley
19	1,00	N321841075	Cap 0-3947-216
20	1,00	S532195203393	Spacer ring
21	2,00	N311733075	Lock ring 35
22	2,00	N324162097	Bearing 6202 VV C3 (NSK)
23	2,00	N323721006	Bushing 1625 KU
24	2,00	N311129523	Nut M 10 DIN 6926 Zinc
25	2,00	N311219496	Washer 16X22X1 DIN 988 L 07
26	1,00	N315231228	Spring 0-9746-484
27	1,00	N309599025	Screw 0-9016-454
28	1,00	S532097302223	Spring element
29	1,00	S532092412463	Safety washer
30	1,00	N309503548	Screw M 6X20
31	1,00	N311129525	Nut M 6 DIN 6926
32	2,00	N311212517	Washer 9 Zinc
33	6,00	N311214502	Washer 8
34	6,00	N309578520	Screw M 8x16 DIN 7500 D BN3326
35	7,00	N311732009	Lock ring 12
36	4,00	N309578491	Screw pr.16/M12-80 BN1359
37	4,00	N311129526	Nut M 12 DIN 6926



Katalog : KSC2A-19-0013

Skupina : KSC07-13-0001 Croso Mowing unit no.1 - SC2

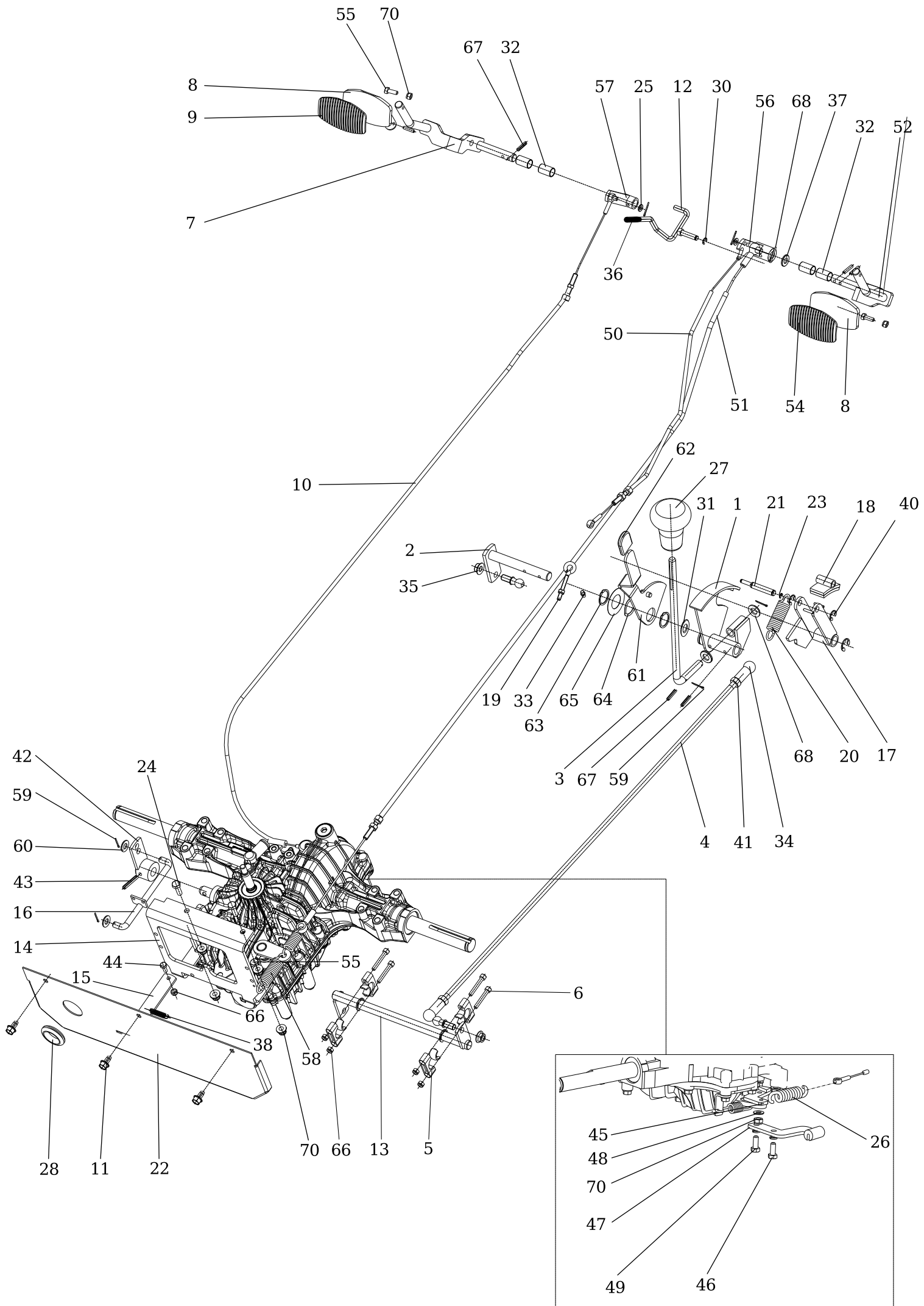
Pos.	Qty.	Pol.	Descript
1	1,00	S532950472303	Cutting cover 92 SC2
2	1,00	S532985423883	Cover left compl.
3	1,00	S532985423893	Cover right compl.
4	4,00	N315231221	Spring 0-9746-480
5	4,00	S532093117613	Pin
6	3,00	S532014409283	Limiter
7	2,00	S532113415743	Chain stopper
8	1,00	S532113415733	Chain stopper front
9	27,00	N318112030	Chain A6/4 . 9-8558-200
10	2,00	S532113408393	Front shield washer
11	2,00	N273192050	Shield frot 0-8542-406
12	1,00	S532113408383	Rear shield washer 2
13	1,00	N273192051	Shield rear 2 0-8532-408
14	2,00	S532113408373	Shield washer rear 1
15	2,00	N273192052	Shield rear 1 0-8532-407
16	9,00	N309503508	Screw M6X16
17	20,00	N309019508	Screw M8x25 Zinc
18	8,00	N311732002	Lock ring 7
19	20,00	N532150290	Nut M 8 DIN 6926 8 Zinc
20	9,00	N311210502	Washer 6.4
21	9,00	N311214501	Washer 6
22	1,00	N532151226	Cover 0-8540-646 plastic
23	1,00	S532913452093	Protective tube left
24	1,00	S532913452103	Protective tube right



Katalog : KSC2A-19-0013

Skupina : KSC08-17-0001 Croso Mowing unit n.2

Pos.	Qty.	Pol.	Descript
1	1,00	S532098212023	Flange
2	1,00	S532038152193	Cutting shaft
3	1,00	S532050412233	Carrier
4	1,00	S532950602033	Blade pair
5	2,00	S532090164643	Blade screw
6	2,00	N273111027	Ring 22X2
7	2,00	N311129503	Nut M 16 Din 985-8-A3E
8	1,00	S532033252033	Pulley 92
9	1,00	S532092207873	Washer
10	1,00	N532150440	Nut 0-9125-226
11	1,00	S532939352023	Cap complete
12	1,00	N273521180	Shaft seal 45x72x10
13	2,00	N324162095	Bearing 6207 2 RS
14	2,00	N311733093	Lock ring 72
15	1,00	N273521179	Shaft sealing 35x72x10 GP
16	1,00	N311214504	Washer 12
17	3,00	N309503503	Screw M 12X30
18	1,00	N272731213	V-Belt 17X1890 Li OPTIBELT
19	1,00	S532092304123	Washer
20	2,00	N311219514	Washer NL 20 glued Zinc

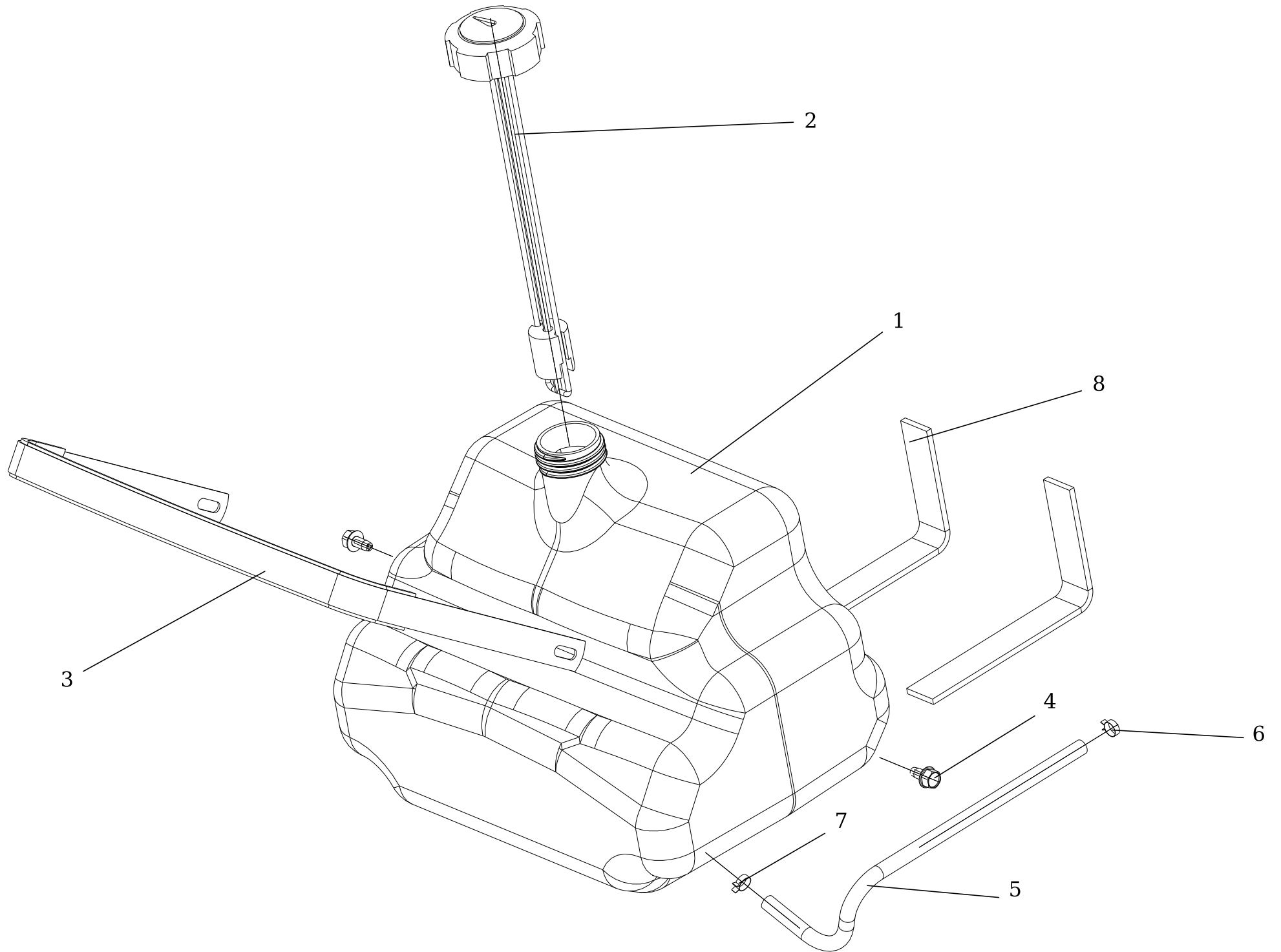


Katalog : KSC2A-19-0013

Skupina : KSC09-17-0001 Crosro drive control

Pos.	Qty.	Pol.	Descript
	1,00	S532929362183	Hub complete
1	1,00	S532929462083	Hub of travel shifting
2	1,00	S532993362823	Travel pin
3	1,00	S532080403003	Travel lever
4	1,00	N532151441	Tie rod 0-8010-201
5	2,00	N324196025	Bearing ESTM GT 16
6	4,00	N309543526	Screw M 6x40
7	1,00	S532980462483	Pedal left
8	2,00	S532980462503	Pedal L,R
9	1,00	N273151001	Pedal coating 273 151 010 160
10	1,00	N443900119	Connecting Diff.lock cable 9-8074
11	3,00	N309578520	Screw M 8x16 DIN 7500 D BN3326
12	1,00	S532980463353	Brake arrestment
13	1,00	S532929362073	Pattern
14	1,00	S532013412073	Operating holder
15	1,00	S532080402913	Thrust tie rod
16	1,00	S532929362103	Gear-box tie rod
17	1,00	S532929362203	Hub complete
18	1,00	S532917722013	Brake lining
19	1,00	N309578514	Screw M 6x50 with eye BN1006 Zinc
20	2,00	N315231230	Spring 0-9746-487
21	1,00	S532193103723	Pin
22	1,00	S532085422073	Cover rear
23	1,00	N311732001	Lock ring 4
24	2,00	N309503512	Screw M 8X25
25	2,00	N311210502	Washer 6.4
26	1,00	N315231239	Spring 0-9746-493 Diff.lock
27	1,00	N532150341	Handle 1066 PR. 12 black
28	1,00	N273121037	Rubber sleeve 38x32x3
29	1,00	N442073015	Zinc Angle Joint
30	1,00	N311732007	Lock ring 6
31	1,00	N532151564	Case MCM 25-03 M250
32	4,00	N323721011	Bushing 1425 KU Teflon
33	1,00	N425111004	Lubricating head MK 6x1
34	1,00	N442073021	Angular joint 16 DIN 71802 C M10
35	2,00	N311129516	Nut M 10 DIN 6923 8 Zinc. toothed
36	1,00	N532150209	Cover 8X40 Vinyl-Flex black
37	1,00	N311338516	Spindle 3.2x20
38	1,00	N315231224	Spring TZ 080.088.0312 Zinc
39	1,00	N311150506	Nut M 10
40	2,00	N311732002	Lock ring 7
41	1,00	N311150514	Nut M10 left
42	1,00	S532929462053	LEVER - COMPLETE
43	1,00	N315238049	Spring pin 6X40
44	1,00	N309503548	Screw M 6X20
45	1,00	S532980365163	Foot complete
46	1,00	N309503512	Screw M 8X25
47	1,00	S532913462813	Holder
48	2,00	N311214502	Washer 8
49	2,00	N309578518	Screw M8X30 DIN 7500D BN 3326
50	1,00	N443900152	Cruise control cable 9-8074-308
51	1,00	N443900121	Connecting brake cable 9-8074-304

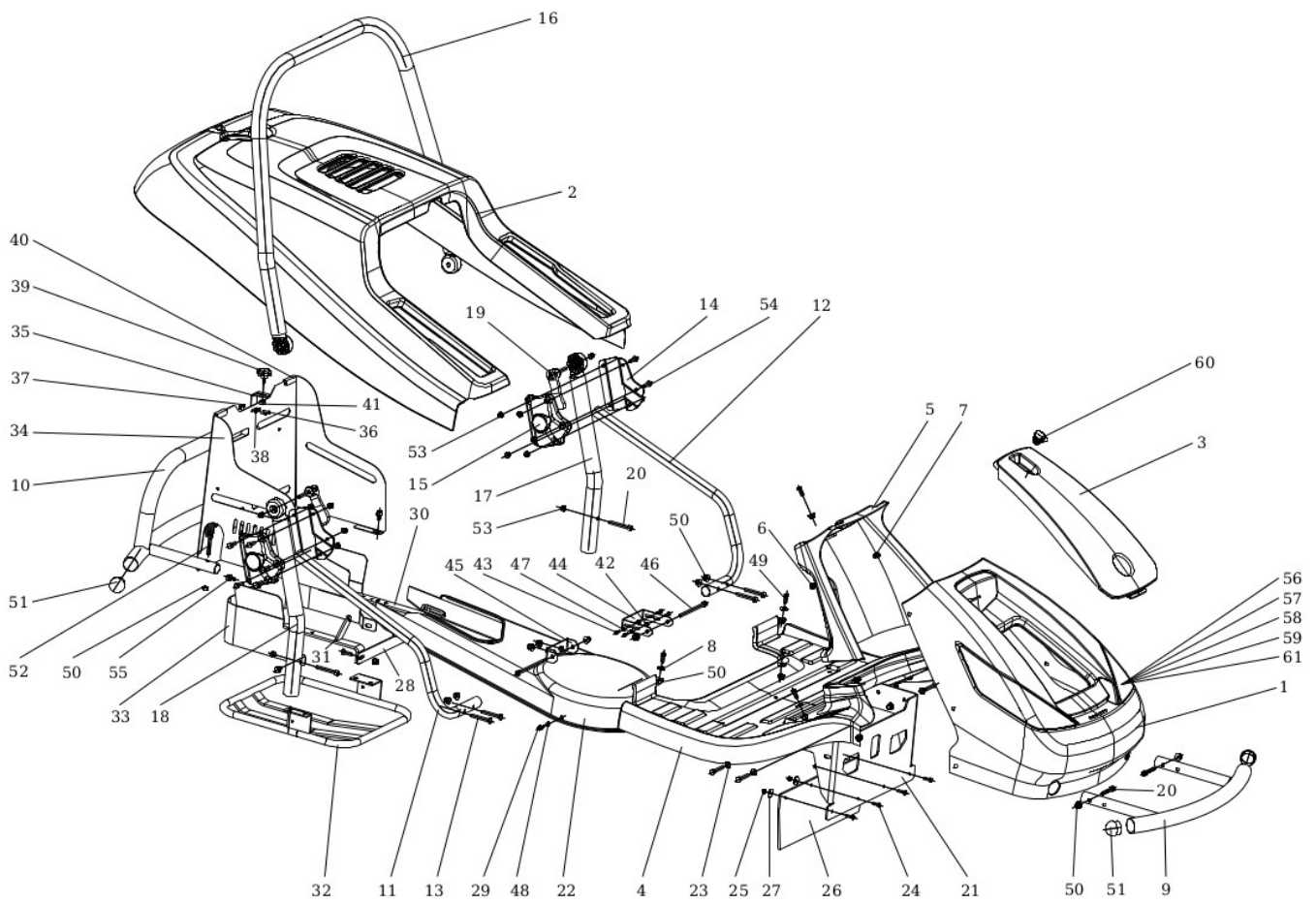
52	1,00	S532980462493	Pedal right
53	1,00	S532980463183	Brake pedal
54	1,00	N273151001	Pedal coating 273 151 010 160
55	5,00	N309201519	SCREW M 8X55
56	1,00	S532980463333	Latch complete
58	1,00	N315231042	Spring TZ 1.6x14.4x56x20 Zinc
59	8,00	N311338501	Spindle 2x20
60	2,00	N311210505	Washer 13
61	1,00	S532914322013	Cruise-control lever
62	1,00	N532151130	Cap 25x5Rx40Vinyl Flex red
63	2,00	N311733014	Lock ring 25
64	1,00	N311219522	Spring washer W 61520
65	1,00	S532092208083	Washer
66	6,00	N311129513	Nut M 6
67	5,00	N315238036	Spring pin 5X25
68	3,00	N311210504	Washer 10.5
69	3,00	N311732009	Lock ring 12
70	7,00	N532150290	Nut M 8 DIN 6926 8 Zinc



Katalog : KSC2A-19-0013

Skupina : KSC10-17-0001 Croso- Fuel tank

Pos.	Qty.	Pol.	Descript
1	1,00	N232130029	Fuel tank front 0-2766-210 19.15L
2	1,00	N532151566	Fuel tank cap with gauge L=13"
3	1,00	S532013412123	Tank belt
4	2,00	N309578520	Screw M 8x16 DIN 7500 D BN3326
5	1,00	S532986018023	Fuel hose SC
6	1,00	N548241017	Hose clip 8-12 Zinc
7	1,00	N000532058	Clip UM 5008
8	2,00	N283742002	

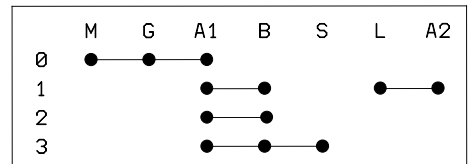
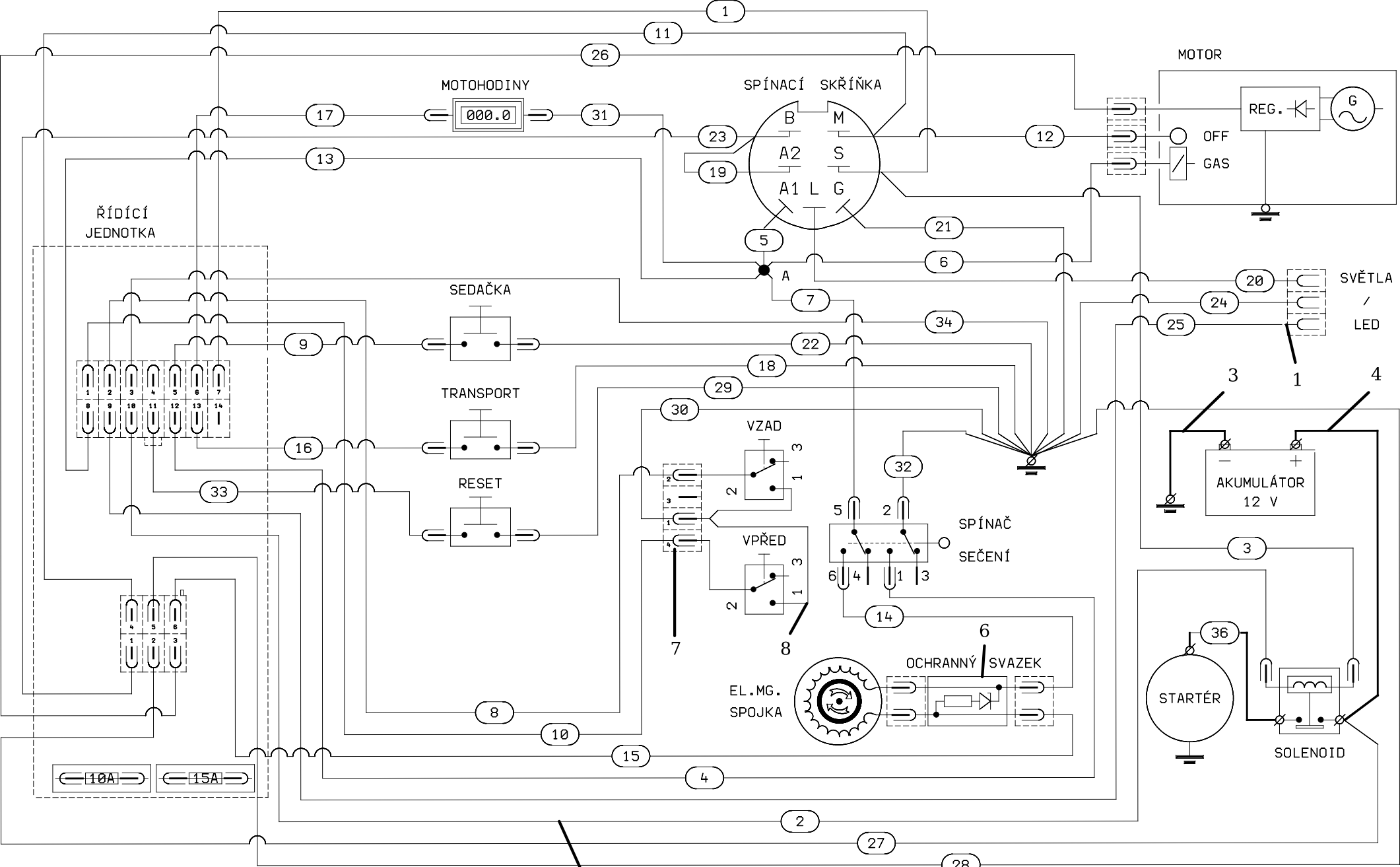


Katalog : KSC2A-19-0013

Skupina : KSC11-19-0001 Crosro hood - green Caiman eng.

Pos.	Qty.	Pol.	Descript
1	1,00	N532151561	Hood 9-1849-437 SC green
2	1,00	N532151689	
3	1,00	N532151563	Battery cover 0-1847-215 SC green
4	1,00	N532151113	Floor 0-1847-428 SC
5	1,00	N532151461	Panel 0-8048-240 SC
6	10,00	N532150903	Seating D7-201-802-010
7	10,00	N532150904	Pin D7-201-711-010
8	5,00	N311210504	Washer 10.5
9	1,00	S532918462323	Bumper front SC
10	1,00	S532918462313	Bumper rear
11	1,00	S532013425593	Handle right
12	1,00	S532013425603	Handle left
13	4,00	N309201519	SCREW M 8X55
14	2,00	N532151104	Tube connection A 01847-431
15	2,00	N532151105	Tube connection B 01847-432
16	1,00	S532985423853	Folding frame complete
17	1,00	S532985423833	Frame pipe Left
18	1,00	S532985423843	Frame pipe Right
19	2,00	N532151102	Excentric lever 0432-201108X50
20	6,00	N309543010	Screw M 8x55 8.8 A2L ISO 4762
21	1,00	S532085412053	Cover front
22	1,00	N532151447	Belt cover 0-8540-202 SC
23	4,00	N311210503	Washer 8.4
24	4,00	N309503548	Screw M 6X20
25	4,00	N311129513	Nut M 6
26	1,00	N273192019	Cover 0-8530-613
27	4,00	N311212520	Washer 6.6
28	1,00	S532913362023	Cover holder
29	2,00	N309578517	SCREW M 6X16 DIN 7500D BN 3326
30	1,00	S532092402553	Washer
31	1,00	S532992462023	Washer complete
32	1,00	S532913462033	Safety frame
33	1,00	S532085412063	Deflector
34	1,00	S532085412043	Cover rear
35	1,00	S532113408033	Holder
36	2,00	N309203518	Screw M 4X16
37	2,00	N311129514	Nut M4
38	2,00	N311210506	Washer 4.3
39	1,00	N532150980	Control star STG2A 40 M6X15
40	2,00	S532096342193	Braid
41	1,00	N311101001	Cage nut MK-1-6-8316
42	4,00	N311129524	Nut M 5 DIN 6926 Zinc
43	4,00	N309203539	Screw M 5X16
44	1,00	S532113415343	Hood holder left
45	1,00	S532913413253	Hood holder right Complete
46	2,00	N309543524	Screw M 8X120
47	4,00	N311210501	Washer 5.3
48	2,00	N532151443	Spacer RRSN 62100 08GF
49	6,00	N309578522	Screw M 8x20 ISO 7380 10.9 Zinc
50	32,00	N532150290	Nut M 8 DIN 6926 8 Zinc
51	4,00	N321841087	Dished plug 40mm
52	4,00	N309543011	Screw M 8x45 8.8 A2L ISO 4762

53	18,00	N311129501	Nut M 8
54	12,00	N309503512	Screw M 8X25
55	5,00	N309578520	Screw M 8x16 DIN 7500 D BN3326
56	1,00	N532151134	Cover glas for reflector (pair)
57	1,00	N532151135	Reflector headlight (pair) Crossj
58	1,00	N532151136	Headlight Crossjet (spare part)
59	2,00	N347224008	Lightbulb 12V 20W, header GV4
60	1,00	NK00000000	Not used in this performance
61	1,00	N341271166	LED diodes harness SCKS004027

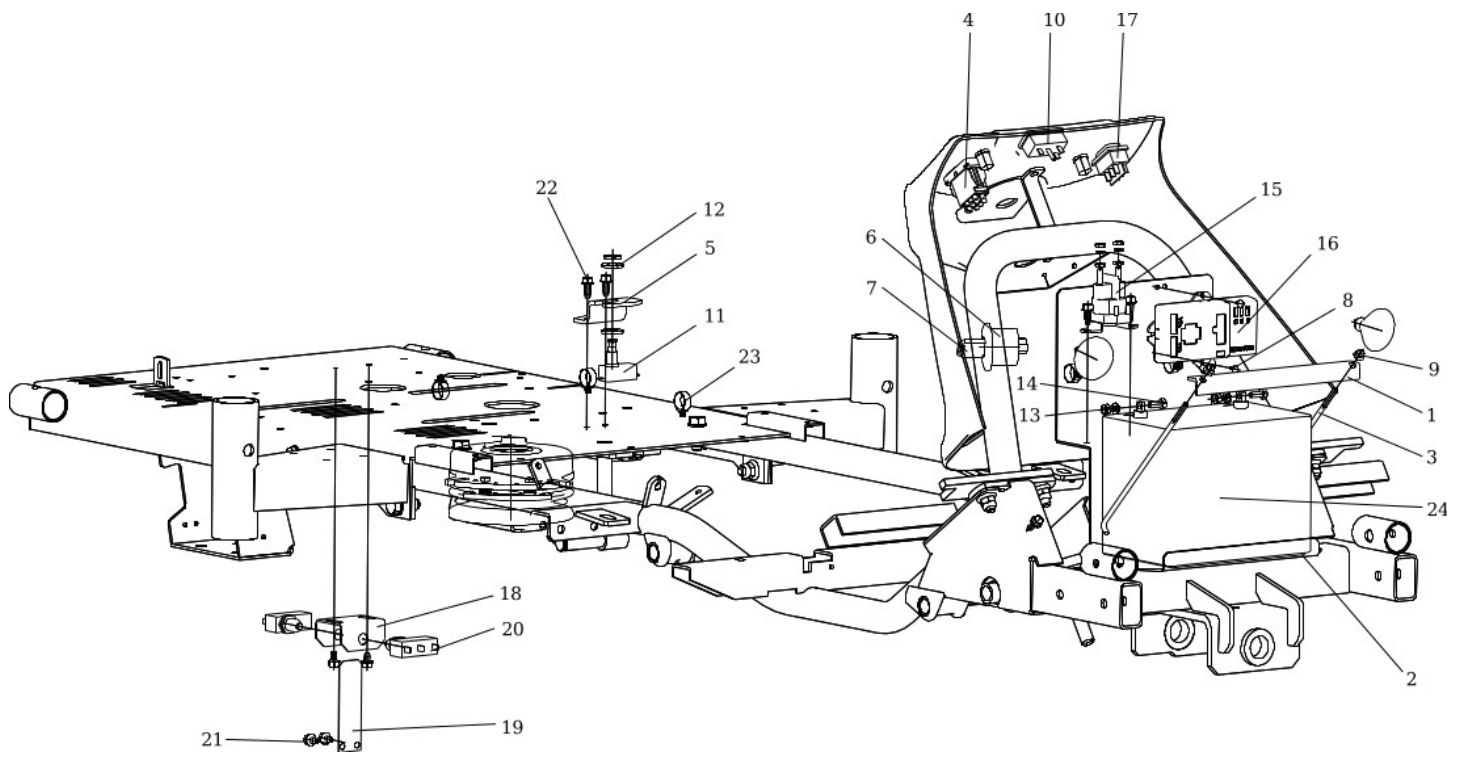


5

Katalog : KSC2A-19-0013

Skupina : KSC13-15-0031 Croso wiring diagram

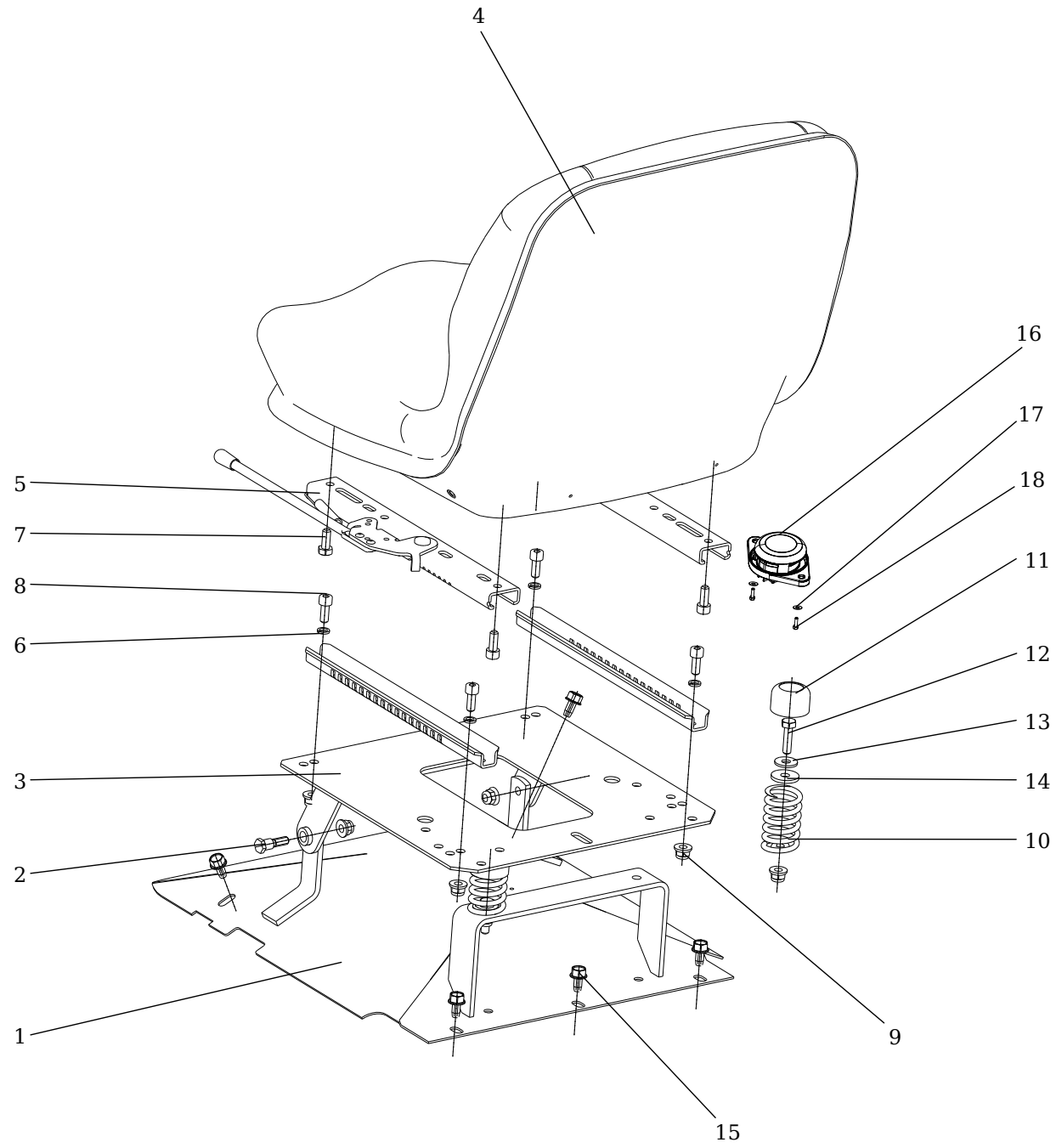
Pos.	Qty.	Pol.	Descript
1	1,00	N341271159	Lights cable harness
2	1,00	N341271191	Wiring harness KS004075
3	1,00	N341271057	Cable 9-8316-586
4	1,00	N341271059	Cable 9-8316-588
5	1,00	N341271189	Cable bunch KS 004066
6	1,00	N341271052	Protective diodes harness 9-8316-
7	1,00	N341271192	Bunch, neutral signall. KS004079
8	1,00	N341271193	Switches harness KS 004081



Katalog : KSC2A-19-0013

Skupina : KSC13-17-0001 Croso electrical installation

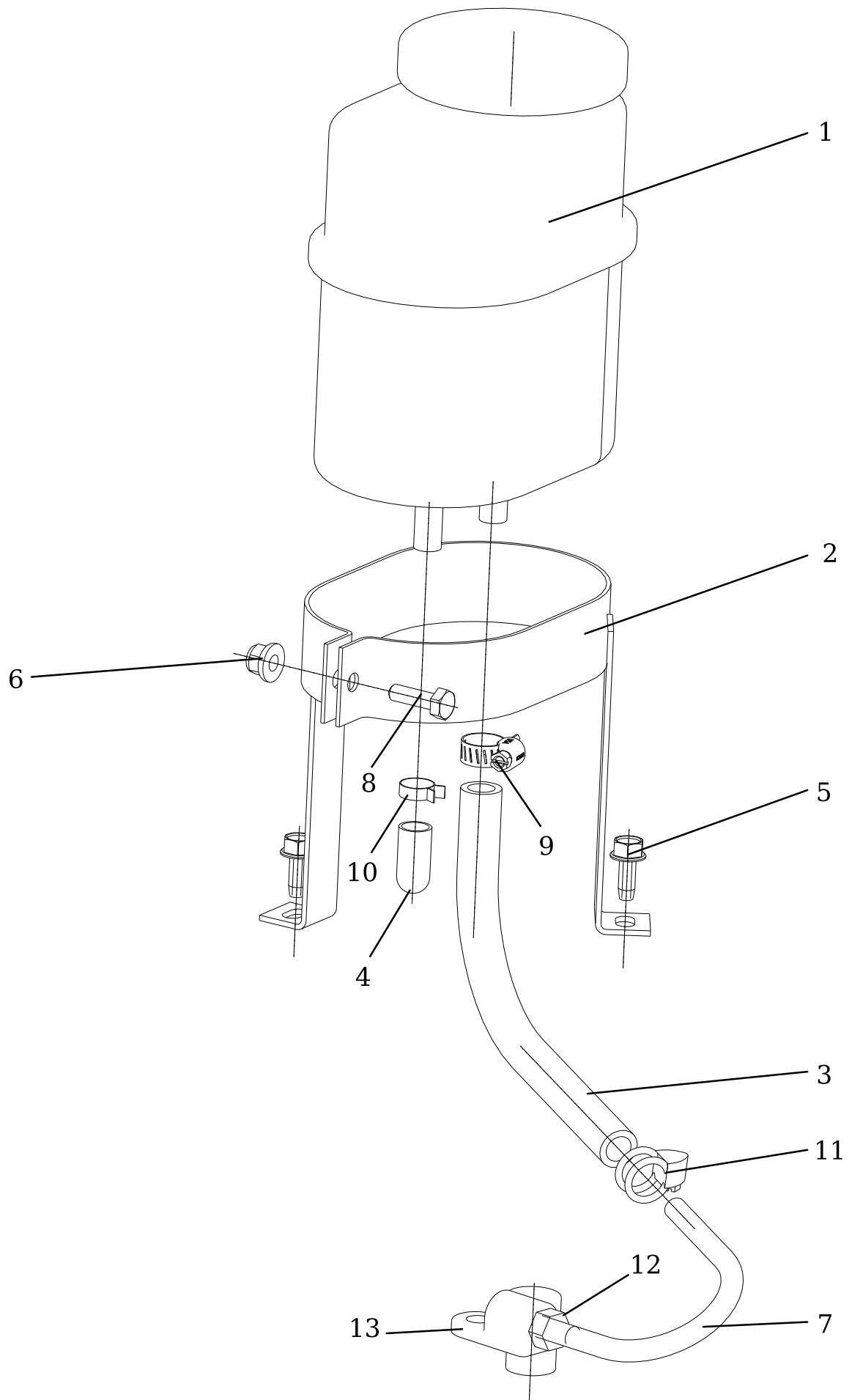
Pos.	Qty.	Pol.	Descript
1	1,00	S532113403243	Battery holder
2	1,00	N273192028	WASHER 0-9630-307 T3
3	2,00	N532150464	Wire 0-9040-203
4	1,00	N345329023	Switch VDD2S001 9ZZCR 100
5	1,00	S532013412113	Switch holder
6	1,00	N443861007	Switch box Delta 6900-47 P
7	1,00	N443900137	Starting key DELTA 688P-001
8	2,00	N532151116	Rivet 282702
9	2,00	N311129524	Nut M 5 DIN 6926 Zinc
10	1,00	N443433003	Hour-meter SEN DEC DIGITAL
11	1,00	N000532079	Seat switch Delta 6440-04
12	1,00	N532151567	Cap DELTA 9910 rubber
13	2,00	N311150504	Nut M6
14	2,00	N309503548	Screw M 6X20
15	1,00	N532151619	Solenoid Trombetta 764-1221-210
16	1,00	N341271190	Module KS 004065
17	1,00	N345329025	Switch 1932.3413
18	1,00	S532014402183	Sensor holder
19	1,00	S532097412083	Neutral spring
20	2,00	N345359004	Microswitch MKH 12 D 13-S1
21	4,00	N309578545	Screw M 6x10 DIN 7500 D
22	5,00	N309578517	SCREW M 6X16 DIN 7500D BN 3326
23	6,00	N532150211	Clip WSBH 1-0-1
24	1,00	N346211006	Battery 12V-24Ah dry,charged



Katalog : KSC2A-19-0013

Skupina : KSC15-18-0002 Croso hood n.2

Pos.	Qty.	Pol.	Descript
1	1,00	S532985472023	Seat pyramid
2	2,00	S532090164623	Carrier screw
3	1,00	S532918473333	Seat carrier
4	1,00	N532150891	Seat COBO PS 48 E 8098.017
5	1,00	N532150562	Mechanism Cobo sliding
6	4,00	N311210503	Washer 8.4
7	2,00	N309543017	Screw M 8X25
8	6,00	N309543506	Screw M 8X20
9	8,00	N532150290	Nut M 8 DIN 6926 8 Zinc
10	2,00	N315231262	Spring 0-9746-503
11	2,00	N532150208	Cover 38/A PVC Black
12	2,00	N309503515	Screw M 8X30
13	2,00	N311212517	Washer 9 Zinc
14	2,00	N311212508	Washer 9 Zinc
15	5,00	N309578520	Screw M 8x16 DIN 7500 D BN3326
16	1,00	N345359005	Microswitch 6520 Delta
17	2,00	N311212515	Washer 4.3
18	2,00	N309315015	Screw ST 4.2x16 BN 1880



Katalog : KSC2A-19-0013

Skupina : KSC19-18-0002 Croso hydraulic distribution

Pos.	Qty.	Pol.	Descript
1	1,00	N532150558	Expansion tank Cobo 1.0L
2	1,00	S532913463003	Holder of the exp. tank
3	1,00	N272392016	
4	1,00	N532150577	Cover B-1045 (Silroc)
5	2,00	N309578517	SCREW M 6X16 DIN 7500D BN 3326
6	1,00	N311129525	Nut M 6 DIN 6926
7	1,00	S532082402033	Pipe 10
8	1,00	N309503551	Screw M 6X25
9	1,00	N548241016	Hose clip 10-16mm Zinc
10	1,00	N548241023	Clip UM 5077 CTL 8.5
11	1,00	N548241026	Clip, wire screw W13-16MM
12	1,00	N311120523	Nut M 10x1
13	1,00	S532082472053	Filling throat M10X1