

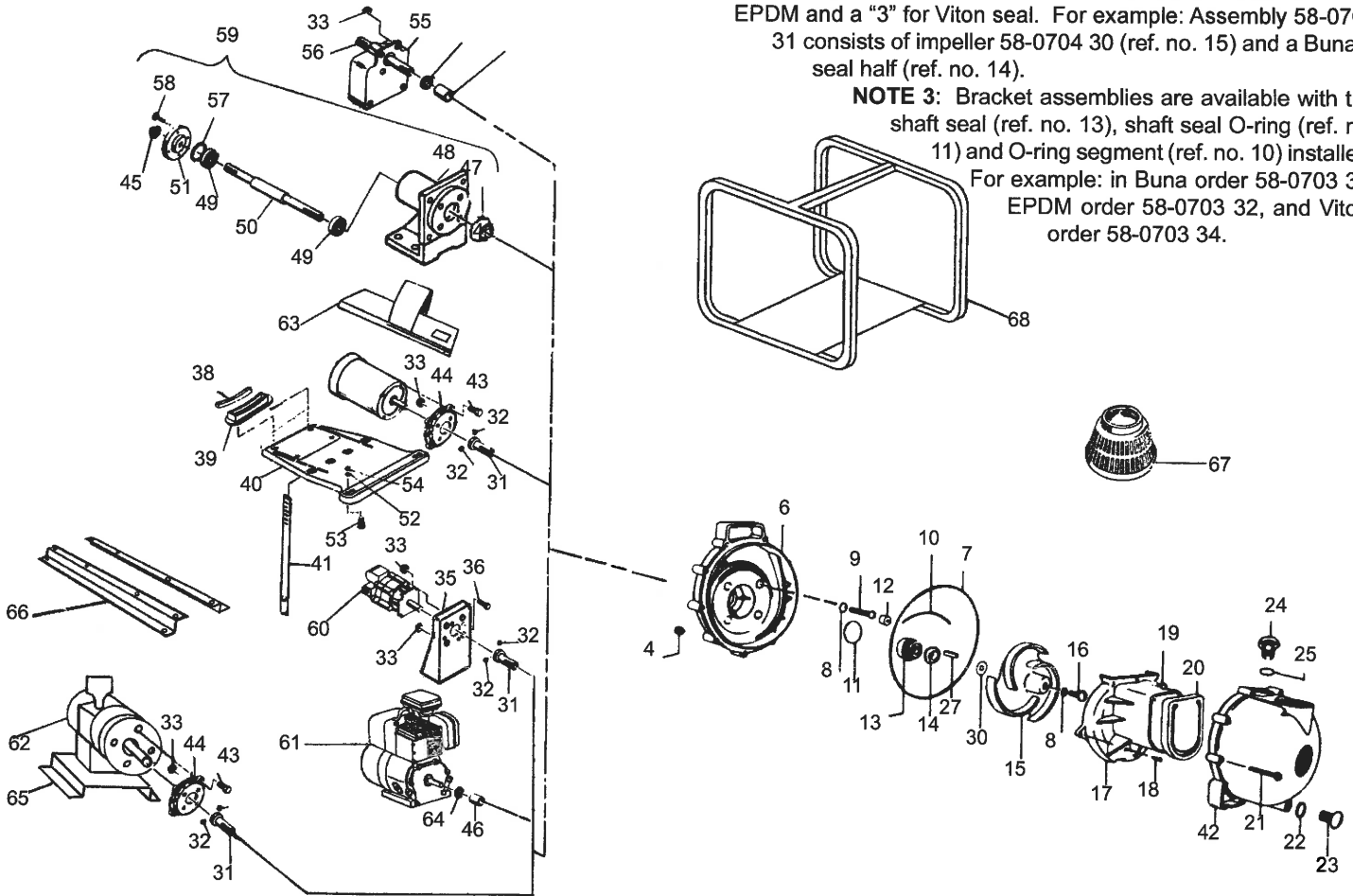
SELF-PRIMING CENTRIFUGAL PUMP - "S" SERIES

PARTS LIST
PP-9900
AUG. 2003

NOTE 1: You will note a multiple choice of impellers, volutes, and top volute screws. Once you have identified the impeller (from the the pump model no., or by comparing your impeller to the descriptions given the various impellers) you can make your choice of impeller, volute, or volute screws by following the same letter grouping. For example: if your impeller is black, open type, 5 vane, .535" wide, then it is part no. 58-0706 30 and has an "A" designation, under the column marked "Group". You now choose the proper top volute screw (ref no. 19).

NOTE 2: Impellers (ref. no. 15) may be ordered with the seal (ref. no. 14) installed. The part no. for these assemblies is the same as the impeller part no. except that the last digit is a "1" for Buna-N seal, a "2" for EPDM and a "3" for Viton seal. For example: Assembly 58-0704 31 consists of impeller 58-0704 30 (ref. no. 15) and a Buna-n seal half (ref. no. 14).

NOTE 3: Bracket assemblies are available with the shaft seal (ref. no. 13), shaft seal O-ring (ref. no. 11) and O-ring segment (ref. no. 10) installed. For example: in Buna order 58-0703 31, EPDM order 58-0703 32, and Viton, order 58-0703 34.



PUMP PARTS LIST

ITEM #	PART #	PART DESCRIPTION	QTY./PUMP	ITEM #	PART #	PART DESCRIPTION	QTY./PUMP
4	58-0721	NUT, Body, plated steel, 1/4"-20 hex	10	11	58-0976 71	O-RING, Shaft Seal, BUNA-N	1
	58-0721 10	NUT, Body, stainless steel, 1/4"-20 hex	10		58-0976 72	O-RING, Shaft Seal, EPDM	1
6	58-0703 30B	BRACKET, Polyester, Black	1		58-0976 73	O-RING, Shaft Seal, VITON	1
	58-0703 40	BRACKET, Polypropylene, grey	1	12	58-0750 40	PLUG, Bracket Screw Protector, Polypropylene	4
	58-0703 60	BRACKET, Ryton, brown	1		58-0750 90	PLUG, Bracket Screw Protector, ECTFE	4
7	58-0719 71	O-RING, Body, BUNA-N	1	11,13,14	58-0714 11	SEAL, Shaft, BUNA-N, 316 S.S.,carbon/ceramic	1
	58-0719 72	O-RING, Body, EPDM	1		58-0714 12	SEAL, Shaft, EPDM, 316 S.S.,carbon/ceramic	1
	58-0719 73	O-RING, Body, VITON	1		58-0714 14	SEAL, Shaft, VITON, 316 S.S.,carbon/ceramic	1
8	58-0717 71	O-RING, Screw, BUNA-N	5		58-0714 15	SEAL, Shaft, Hastelloy C, Teflon, silicon carbide	1
	58-0717 72	O-RING, Screw, EPDM	5		58-0714 92SG	SEAL, Shaft, Non-Metallic, ECTFE, EPDM siliconized graphite	1
	58-0717 73	O-RING, Screw, VITON	5		58-0714 94SG	SEAL, Shaft, Non-Metallic, ECTFE, VITON siliconized graphite	1
9	58-0715 10	SCREW, Bracket, stainless steel for pumps close-coupled to engine and cast ped. mount, 5/16"-24 x 1.25"	4		58-0891 92SG	SEAL, Shaft, Kynar, Polypro, Hastelloy C, EPDM, silicon carbide	1
	58-0728 10	SCREW, Bracket, stainless steel for pumps pedestal mounted (plastic), close-coupled to electric, hydraulic or pneumatic motor, 5/16"-18 x 1.5"	4		58-0891 94SG	SEAL, Shaft, Kynar, Polypro, Hastelloy C, VITON, silicon carbide	1
10	58-0754 71	O-RING, Segment, BUNA-N	1		58-46250 11	SEAL, Shaft, BUNA-N, 316 SS, silicon carbide	1
	58-0754 72	O-RING, Segment, EPDM	1		58-46250 12	SEAL, Shaft, EPDM, 316 SS, silicon carbide	1
	58-0754 73	O-RING, Segment, VITON	1		58-46250 13	SEAL, Shaft, VITON, 316 SS, silicon carbide	1

"S" SERIES PUMP PARTS LIST

PP-9900F

ITEM #	PART #	GROUP	PART DESCRIPTION	QTY./PUMP	ITEM #	PART #	PART DESCRIPTION	QTY./PUMP
15	58-0704 30	A	IMPELLER, 3 Vane, .535" wide 5.5" dia., Polyester, black	1	32	58-0883	SET SCREW, 1/4"-20 x .25" long, steel	
	58-0704 40	A	IMPELLER, 3 Vane, .535" wide 5.5" dia., Polypropylene, grey	1	33	58-0745	KEPNUT, 5/16"-18, plated steel	
	58-0704 60	A	IMPELLER, 3 Vane, .535" wide 5.5" dia., Ryton, brown	1	35	58-1011 20	PEDESTAL, hydraulic motor, molded plastic	
	58-0706 30	A	IMPELLER, 5 Vane, .535" wide 5.5" dia., Polyester, black	1	36	58-0729 H	SCREW, for mounting hydraulic motor to pedestal 5/16"-18 x 1.0" long, plated steel	
	58-0706 40	A	IMPELLER, 5 Vane, .535" wide 5.5" dia., Polypropylene, grey	1	38	58-1826 71	PAD, Rubber, Saddle	
	58-0706 60	A	IMPELLER, 5 Vane, .535" wide 5.5" dia., Ryton, brown	1	39	58-1828 90	SADDLE, Electric motor, 6-5/8" dia. motor	
	58-0974 30	B	IMPELLER, 4 Vane, .600" wide 4.75" dia., Polyester, black	1	40	58-1825 90	SADDLE, 5-11/16" diameter motor	
	58-0974 40	B	IMPELLER, 4 Vane, .600" wide 4.75" dia., Polypropylene, grey	1	41	58-1823 40	BASEPLATE, for close-coupled electric motors, molded plastic	
	58-0974 60	B	IMPELLER, 4 Vane, .600" wide 4.75" dia., Ryton, brown	1	42	58-0934 10	STRAP, for close-coupled electric motors, SS	
	58-0975 30	C	IMPELLER, 4 Vane, .975" wide, 4.75" dia., Polyester, black	1	43	58-1001 30B	BODY, 1-1/2" NPT, Polyester, black	
	58-0975 40	C	IMPELLER, 4 Vane, .975" wide, 4.75" dia., Polypropylene, grey	1	44	58-1001 40	BODY, 1-1/2" NPT, Polypropylene, grey	
	58-0975 60	C	IMPELLER, 4 Vane, .975" wide, 4.75" dia., Ryton, brown	1	45	58-1001 60	BODY, 1-1/2" NPT, Ryton, brown	
	58-0667 30	B	IMPELLER, 3 Vane, .535" wide, 4.75" dia., Polyester, black	1	46	58-1002 30B	BODY, 2" NPT, Polyester, black	
	58-0667 40	B	IMPELLER, 3 Vane, .535" wide, 4.75" dia., Polypropylene, grey	1	47	58-1002 40	BODY, 2" NPT, Polypropylene, grey	
	58-8706 30		IMPELLER, 5 Vane, .535" w. 5.5" d, black Polyester (8hp pumps only, 7/2003)	1	48	58-1002 60	BODY, 2" NPT, Ryton, brown	
	58-8975 30		IMPELLER, 4 vane, .975" w x 4.75" d, black Polyester, (8hp pumps only, 7/2003)	1	49	58-0755 30B	BODY, 3" NPT, Polyester, black	
16	58-0716 10		SCREW, Impeller, S.S., 5/16"-24x.75"	1	50	58-0755 40	BODY, 3" NPT, Polypropylene, grey	
	58-1668 10		SCREW, Impeller, S.S., 3/8-24x1" (8hp only)	1	51	58-0755 60	BODY, 3" NPT, Ryton, brown	
17	58-0702 30	A	VOLUTE, Flat, Polyester	1	52	58-0943 30B	BODY, 2" BSP, Polyester, black	
	58-0702 60	A	VOLUTE, Flat, Ryton, brown	1	53	58-0784 30B	BODY, 2" BSP, Polyester, black	
	58-0773 31	A	VOLUTE, Buna-N lined Polyester	1	54	58-0877 30B	BODY, 3" BSP, Polyester, black	
	58-0773 32	A	VOLUTE, EPDM lined Polyester	1	43	58-1015 10	SCREW, hex head cap, 3/8"-16x1.25" long, S.S	
	58-0954 30	B	VOLUTE, Flat, Polyester	1	44	58-1010 20	ADAPTER, Motor, for pump close-coupled to electric or pneumatic motor, molded plastic	
	58-0954 60	B	VOLUTE, Flat, Ryton, brown	1	45	58-1955 71	SEAL, lip, .710" ID, Buna-N	
	58-0955 31	B	VOLUTE, Buna-N lined Polyester	1	46	58-1955 73	SEL, lip, .710" ID, VITON	
	58-0955 32	B	VOLUTE, EPDM lined Polyester	1	47	58-0882 90	SHAFT, Sleeve, Polyethylene	
	58-0977 30	C	VOLUTE, Flat, Polyester	1	48	58-0884 71	SLINGER, Buna-N	
	58-0977 60	C	VOLUTE, Flat, Ryton, brown	1	49	58-1951 90	HOUSING, Bearing, cast metal	
	58-0978 31	C	VOLUTE, Buna-N lined Polyester	1	50	58-1952 10	BEARING, Ball, .787" ID	
	58-0978 32	C	VOLUTE, EPDM lined Polyester	1	51	58-1952 10	SHAFT, stainless steel, .75" diameter	
18	58-0725 10		SCREW, side volute, S.S., #6-cc x.5" long	2	52	58-1952 91	SHAFT, Hastelloy, .75" diameter	
19	58-0771 10	A	SCREW, top volute, S.S., #10-24x1.5"	1	53	58-1952 93	SHAFT, Titanium, .75" diameter	
	58-0997 10	B,C	SCREW, top volute, S.S., #10-24 x .5"	1	54	58-1953 10	PLATE, End, stainless steel	
20	58-0705 71		CHECK VALVE, Buna-N	1	55	58-0730	FLAT WASHER, .563", plated steel	
	58-0705 72		CHECK VALVE, EPDM	1	56	58-0729	SCREW, 5/16"-18 x 1", plated steel	
	58-0705 73		CHECK VALVE, VITON	1	57	58-0745	KEPNUT, 5/16"-18, plated steel	
21	58-0720		SCREW, Body, plated steel 1/4"-20 x 2-3/8"	10	58	58-0759 20	BEARING Pedestal, molded plastic	
	58-0720 10		SCREW, Body, SS, 1/4"-20 x 2-3/8" long	10	59	58-0777 10	BEARING, Shaft Assy., standard, carbon steel	
22	58-1009 71		O-RING, Drain Plug, Buna-N	1	55,56	58-2053 01	BEARING, Shaft Assy., with S.S. shaft sleeve	
	58-1009 72		O-RING, Drain Plug, EPDM	1	57	58-2053 02	ASSEMBLY, Pedestal, 3/4" carbon steel shaft	
	58-1009 73		O-RING, Drain Plug, VITON	1	58	58-1956 10	ASSEMBLY, Pedestal, with S.S. shaft sleeve	
23	58-0723 30		PLUG, Drain, Polyester, black	1	58	58-2525 10	SHIM, Bearing Shaft, cast metal pedestal, .006" thick as required	
	58-0723 40		PLUG, Drain, Polypropylene, grey	1	60	58-2525 01	SCREW, hex, 1/4"-20 x 3/4" stainless steel	
	58-0723 60		PLUG, Drain, Ryton, brown	1	61	58-1950 01H	BEARING & PEDESTAL ASSY., with 3/4" S.S. shaft (includes items 45, 48, 49, 50, 51, 57 & 58)	
24	58-0722 30B		PLUG, Filler, Polyester, black	1		58-1950 01T	BEARING & PEDESTAL ASSY., with 3/4" Titanium shaft (includes items 45, 48, 49, 50, 51, 57 & 58)	
	58-0722 40		PLUG, Filler, Polypropylene, grey	1	60	58-0686	MOTOR, Hydraulic	
	58-0722 60		PLUG, Filler, Ryton, brown	1	61	58-0634	ENGINE, B&S, 3.5HP, recoil start	
25	58-0765 71		O-RING, Filler plug, Buna-N	1		58-0633 AP	ENGINE, B&S, 3.5HP, Industrial Plus, recoil start	
	58-0765 72		O-RING, Filler plug, EPDM	1		58-0644	ENGINE, B&S 5.5HP INTEK OHV, recoil start	
	58-0765 73		O-RING, Filler plug, VITON	1		58-0644 A	ENGINE, B&S, 5.5HP INTEK OHV Pro, recoil start	
27	58-0718		KEY, steel	1		58-0635 H	ENGINE, Honda, 5.5HP, OHV, recoil start	
	58-0718 10		KEY, stainless steel	1	62	58-0967	ENGINE, B & S, 8HP INTEK Pro, recoil start	
	58-0718 30		KEY, Polyester	1	63	58-0926	MOTOR, pneumatic	
30	58-0778 11		SHIM, .006", stainless steel as required			58-0028	BASEPLATE KIT, standard duty, call factory for details	
	58-0778 12		SHIM, .015", stainless steel as required			58-0016	BASEPLATE KIT, heavy duty, call factory for details	
	58-0778 13		SHIM, .030", stainless steel as required		64	58-0881 72	GASKET, Engine Protection, EPDM, 5HP only	
	58-46338 10		SHIM, .015", S.S. (8hp only) as required			58-0933 72	GASKET, Engine Protection, EPDM, 3.5HP only	
31	58-1014 10		ADAPTER, shaft, for close-coupled electric or pneumatic motor, stainless steel, .625" bore	1	65	58-0935 72	GASKET, Engine Protection, EPDM, INTEK only	
	58-1165 10		ADAPTER, S.S., for hydraulic motor, .563" bore	1	66	58-0929	BASE PLATE, for pumps coupled to pneumatic motor	
					67	58-0002	BASE RUNNER KIT, two steel rails with fastener	
						58-0734	SUCTION STRAINER, 1-1/2"NPT, molded plastic	
						58-0733	SUCTION STRAINER, 2" NPT, molded plastic	
						58-0757	SUCTION STRAINER, 3" NPT, molded plastic	
					68	58-1339 01	SUCTION STRAINER, 3" BSP, molded plastic	
						58-0009	ROLL CAGE, w/rubber feet, mounting hardware	