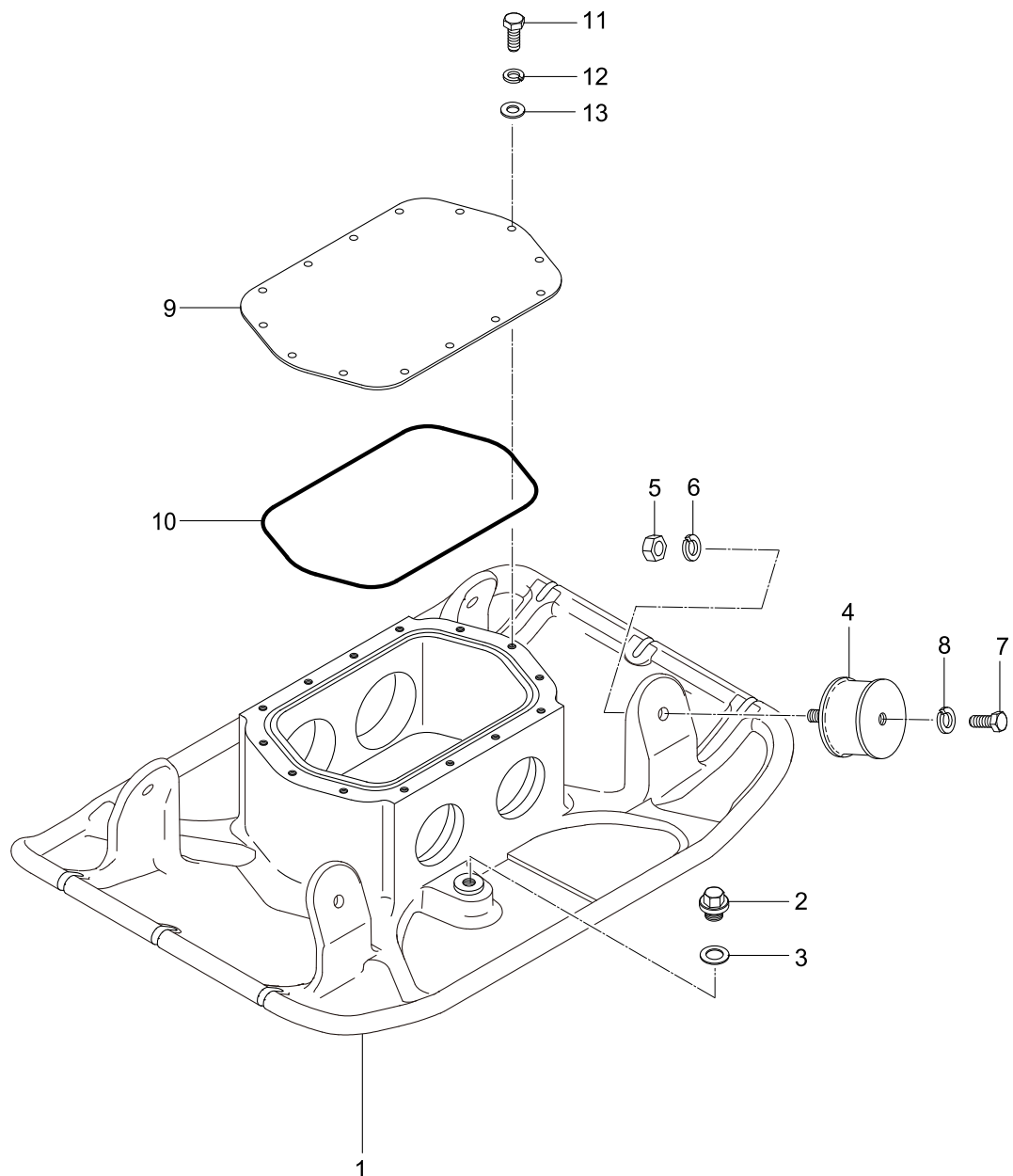


VIBRATING PLATE

MVH-108 /128

4XP0

VIBRATING PLATE / 転圧盤関係



VIBRATING PLATE

NO.	PART/NO.	PartsName	Q' TY	MK2	REMARKS	List Price
1	4721-22280	VIBRATING PLATE/MVH-128	1			
2	9534-05270	PLUG 1/4X14 13L	1			
3	9534-05260	PACKING 1/4 (CU)	1			
4	4724-71010	SHOCK ABSORBE D55X49H 47	4			
5	0203-12100	NUT M12	4			
6	0302-12300	SW M12	4			
7	0012-21230	BOLT 12X30 T	4			
8	0302-12300	SW M12	4			
9	4713-54550	COVER, VIBRATOR /MVH-158	1			
10	0507-10080	O-RING AS568-267	1			
11	0012-20820	BOLT 8X20 T	14			
12	0302-08200	SW M8	14			
13	0311-08160	PW M8	14			

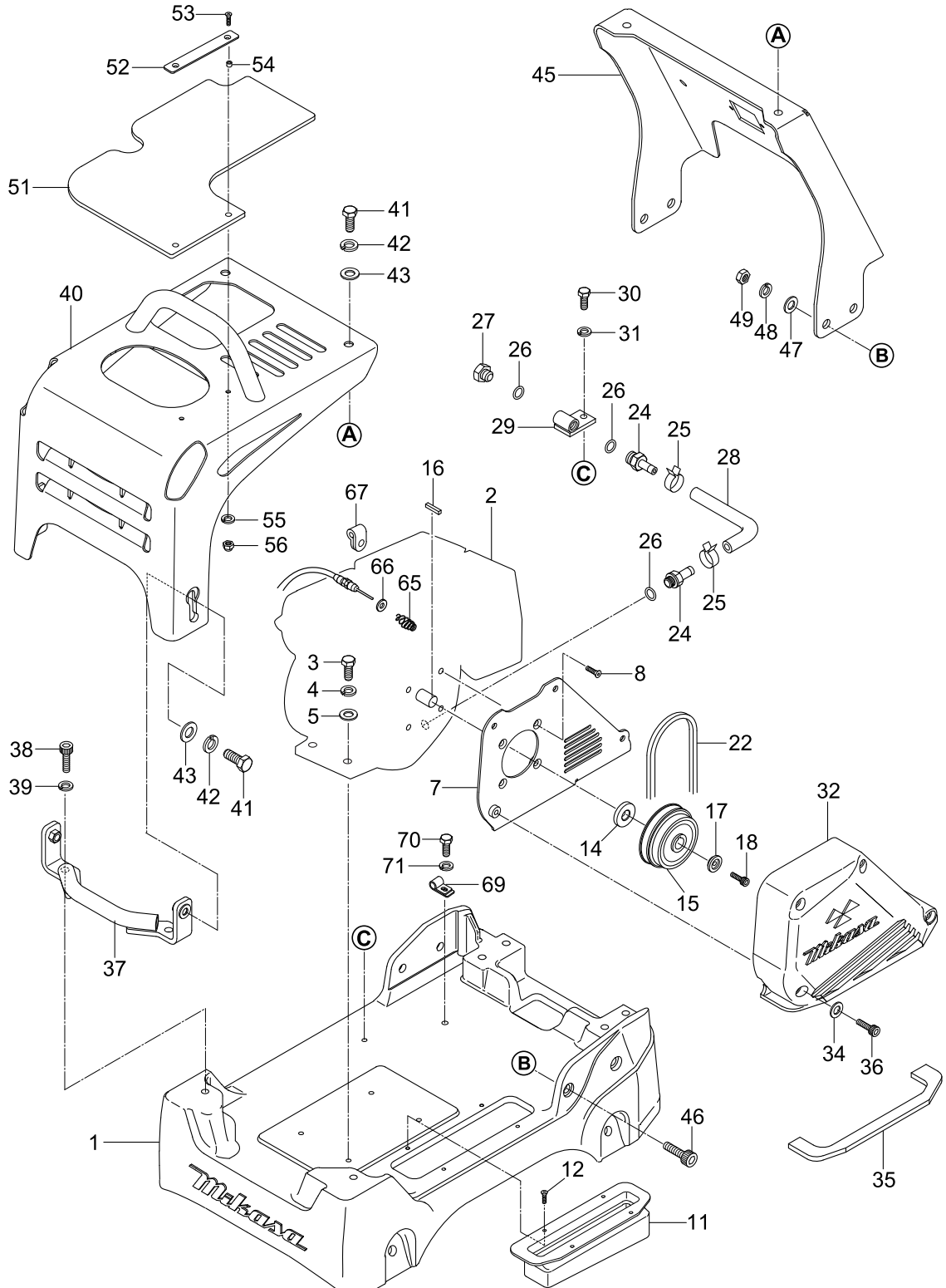
BASE AND ENGINE

4XQ0

MVH-108H/ 128 GH

BASE AND ENGINE (HONDA: GX160)

ベース&エンジン (ホンダGX160)



BASE AND ENGINE

NO.	PART/NO.	PartsName	Q' TY	MK2	REMARKS	List Price
1	4721-22290	BASE /MVH-128	1			
2	9122-16026	ENGINE /GX160 T2-SCMJ	1		JPN	
2	9122-16023	ENGINE /GX160UT2-SCM	1		-E1196/EXP	
2	9122-16030	ENGINE/GX160UH2SCM/!SD	1	!SD	E1197-/EXP	
3	0012-20840	BOLT 8X40 T	4			
4	0302-08200	SW M8	4			
5	0311-08160	PW M8	4			
7	4723-55250	BELT COVER, IN /MVH-128GH	1			
8	0091-20408	SUNK HEAD BOLT 8X20 T	4			
11	4722-19850	DUST COVER/MVH-128	1			
12	0920-06010	FLAT HEAD SCREW 6X10	4			
14	4724-71230	CLUTCH SPACER 20-25-9	1			
15	4583-37770	CLUTCH AY A1-124-20/MVH12	1			
16	90741-883-810	KEY 5X5X33	1			
17	4714-70090	CLUTCH WASHER /MVH-158	1			
18	0015-20825	SOCKET HEAD BOLT 8X25 T	1			
22	0701-00332	V-BELT RPF-3330	1			
24	15550-ZK8-P90	DRAIN JOINT	2			
25	9540-10070	HOSE BAND 12. 5D	2			
26	90601-ZE1-000	WASHER, DRAIN PLUG	3			
27	90131-ZE1-000	BOLT, DRAIN PLUG	1			
28	15552-ZB9-000	DRAIN HOSE	1			
29	4594-62050	JOINT/MVH-100, 150	1			
30	0012-20820	BOLT 8X20 T	1			
31	0302-08200	SW M8	1			
32	4721-22390	BELT COVER (OUT) /128	1			
34	0339-10220	WASHER (8. 4X15. 5X1. 6)	4			
35	4723-55230	DUST SPONGE (OUT) /MVH-128	1			
36	0015-20552	SOCKET HEAD BOLT 5X60 T	4	OJH		
37	4723-55240	FRONT BUNPER /MVH-128	1			
38	0015-21235	SOCKET HEAD BOLT 12X35 T	2			
39	0302-12300	SW M12	2			
40	4721-22400-OR	FRONT COVER / MVH-128	1		EXP/OR	
40	4721-22409-GR	FRONT COVER- / MVH-128	1		JP/EXP-GR	
41	0012-21235	BOLT 12X35 T	4			
42	0302-12300	SW M12	4			
43	0311-12230	PW M12	4			
45	4722-19860	CENTER COVER/MVH-128GH	1			
46	0015-21030	SOCKET HEAD BOLT 10X30 T	4			
47	0311-10160	PW M10	4			
48	0302-10250	SW M10	4			
49	0203-10080	NUT M10	4			

BASE AND ENGINE

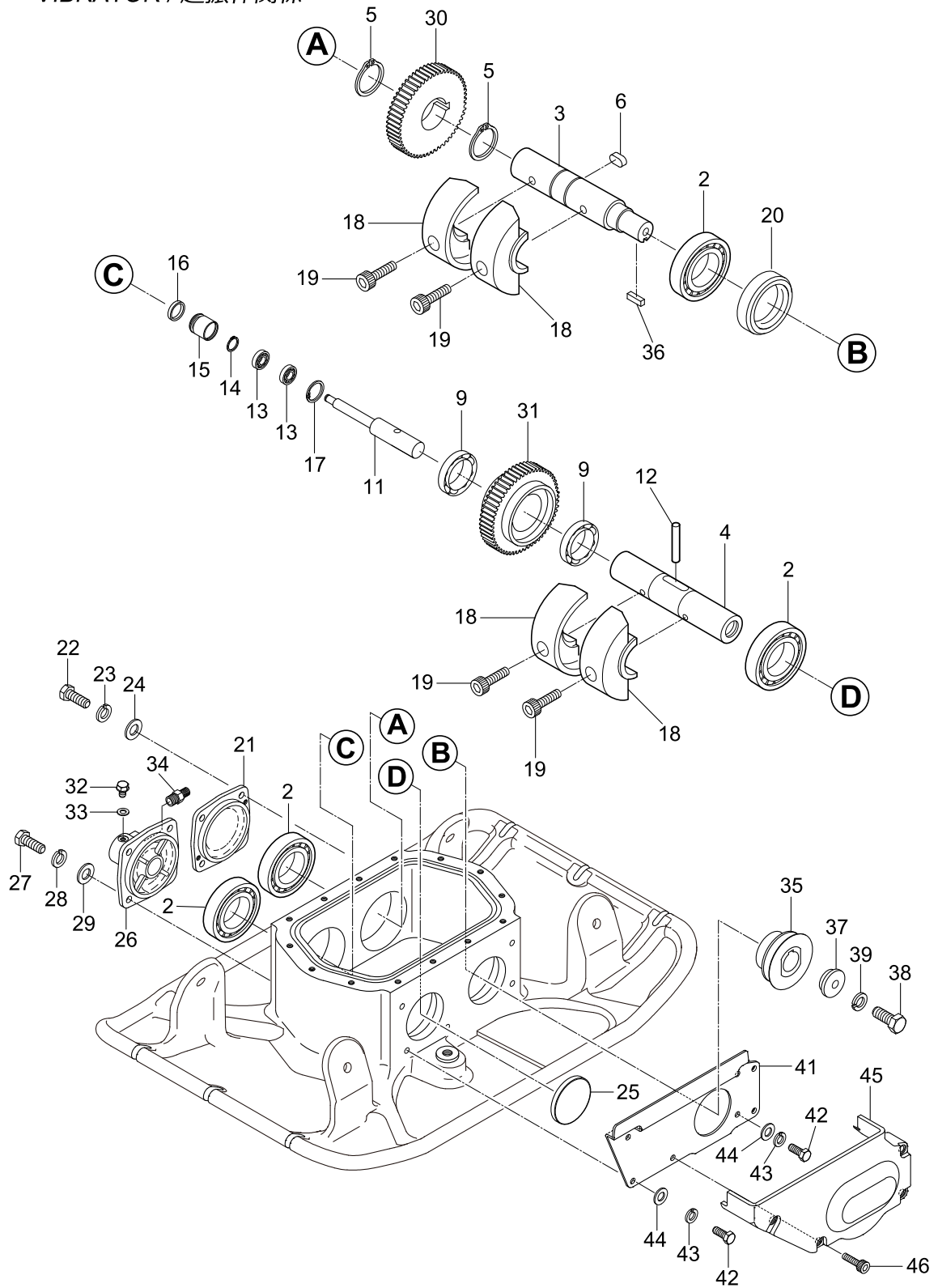
NO.	PART/NO.	PartsName	Q' TY	MK2	REMARKS	List Price
51	4724-71040	RUBBER COVER, UPPER/128GH	1			
52	4724-71050	STOPPER, COVER/MVH-128GH	1			
53	0091-20424	SOCKET HEAD BOLT 6X25T	2			
54	6174-65130	COLLAR 6. 2X7. 8X4. 5	2			
55	0302-06150	SW M6	2			
56	0227-10607	NYLON NUT M6	2			
65	3714-67760	RETURN SPRING /MT-76D	1			
66	0311-05080	PW M5	1			
67	9544-09880	CLAMP M6/MT	1			
69	9594-07260	CLIP D6 (FOR M10)	1			
70	0012-21015	BOLT 10X15 T	1			
71	0302-10250	SW M10	1			

VIBRATOR

MVH-108 /128

4XR0

VIBRATOR / 起振体関係



VIBRATOR

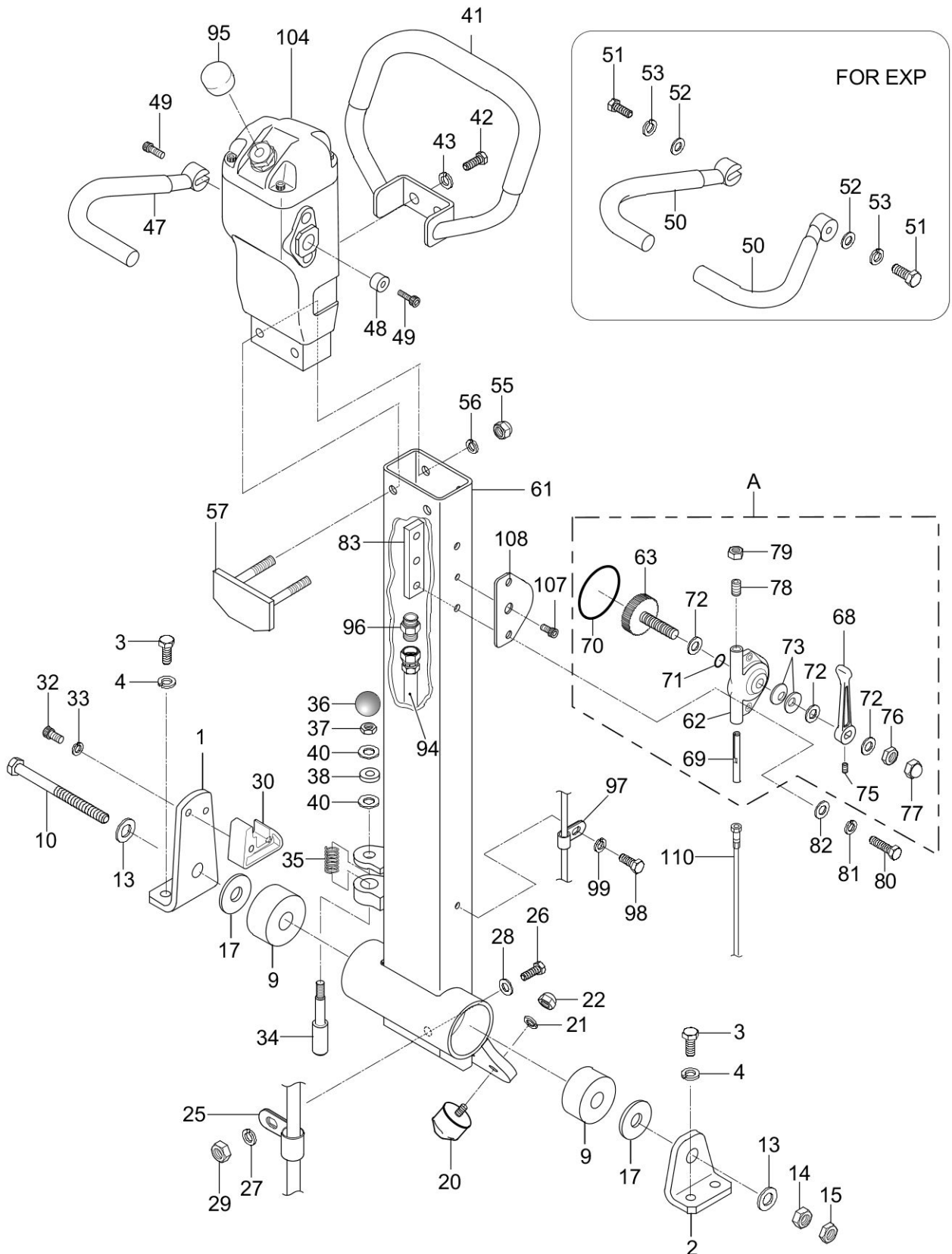
NO.	PART/NO.	PartsName	Q' TY	MK2	REMARKS	List Price
2	0404-06307	BEARING 6307C4	4			
3	4723-55260	ROTARY SHAFT, DRIVE/MVH128	1			
4	4723-55270	ROTARY SHAFT, DRIVEN/128	1			
5	0802-00350	STOP RING S-35	2			
6	9514-05460	KEY 10X8X19 RR	1			
9	0403-06907	BEARING 6907C3	2			
11	4593-46230	PISTON ROD /MVH-150	1			
12	0255-08050	PIN 8X50	1			
13	0425-06000	BEARING 6000ZZSG	2			
14	0802-00100	STOP RING S-10	1			
15	4554-35051	PISTON, 22. 4D /MVH-200	1			
16	4550-10070	PACKING USH-22. 4X30X5	1			
17	0801-00260	STOP RING R-26	1			
18	4724-71020	ECCENTRIC ROTATOR/MVH-128	4			
19	0091-20306	SOCKET HEAD BOLT 10X30T	4			
20	0602-02060	OIL SEAL SC-28508	1			
21	4713-54540	BEARING COVER /MVH-158	1			
22	0012-20825	BOLT 8X25 T	4			
23	0302-08200	SW M8	4			
24	0311-08160	PW M8	4			
25	9530-10060	SEAL CAP SC50-8	1			
26	4712-19700	CYLINDER /MVH-158	1			
27	0012-20825	BOLT 8X25 T	4			
28	0302-08200	SW M8	4			
29	0311-08160	PW M8	4			
30	4713-54810	GEAR (DRIVE) /MVH-158	1			
31	4583-42590	GEAR (DRIVEN) /MVH-120, 150	1			
32	0012-20812	BOLT 8X12 T	1			
33	9534-04600	COPPER PACKING 8. 2X16X1. 6	1	SX		
34	9540-10020	CONNECTOR PT, PF1/4	1			
35	4723-55210	PULLEY / MVH-128	1			
36	9514-00990	KEY 7X7X20	1			
37	4714-70140	WASHER, PULLEY/MVH-158	1			
38	0012-20830	BOLT 8X30 T	1			
39	0302-08200	SW M8	1			
41	4723-55220	GUIDE, BELT COVER/MVH-128	1			
42	0012-20820	BOLT 8X20 T	3			
43	0302-08200	SW M8	3			
44	0311-08160	PW M8	3			
45	4722-19870	BELT COVER, LOWER/MVH-128	1			
46	0015-20851	SOCKET HEAD BOLT 8X55 T	4			

OPERATION

4XS0

MVH-108H/ 128 GH

OPERATION/ 操作關係



OPERATION

NO.	PART/NO.	PartsName	Q' TY	MK2	REMARKS	List Price
A	3629-10060	THRITTLE LEVER AY /MT-55	1			
1	4713-54640	HANDLE BRACKET (R)/MVH158	1			
2	4593-38030	HANDLE BRACKET (L)/MVH-150	1			
3	0012-21230	BOLT 12X30 T	4			
4	0302-12300	SW M12	4			
9	4704-68900	CUSHION RUBBER 16X50X30	2			
10	0012-21680	BOLT 16X200 T	1			
13	0311-16260	PW M16	2			
14	0203-16130	NUT M16	1			
15	0204-16100	NUT M16, H=10	1			
17	9524-09690	WASHER 17X45X4.5	2			
20	9390-10490	STOPPER RUBBER 38X20H/158	2			
21	0302-08200	SW M8	2			
22	0221-30806	CAP NUT M8	2			
25	9594-08930	CLIP 15 (M6) /MVH-308	1			
26	0012-20625	BOLT 6X25 T	1			
27	0302-06150	SW M6	1			
28	0311-06100	PW M6	1			
29	0203-06050	NUT M6	1			
30	4713-54710	HANDLE ROCK STOPPER/158	1			
30	4719-10030	HANDLE ROCK SET/158	1		JP/OP	
32	0015-20825	SOCKET HEAD BOLT 8X25 T	2			
32	0015-20835	SOCKET HEAD BOLT 8X35 T	2		JP/OP	
33	0302-08200	SW M8	2			
34	4714-70170	STOPPER, HANDLE/MVH-158	1			
35	4714-70180	SPRING, STOPPER/MVH-158	1			
36	9594-03460	BALL GRIP 32D-M10	1			
37	0204-10060	NUT M10, H=6	1			
38	4564-49980	RUBBER PACKING 9D-20D-5T	1			
40	0311-10160	PW M10	2			
41	4582-14400-GR	HANDLE GRIP (EXP)-GR /MVH-120	1		JP/GR	
41	4582-14400-GR	HANDLE GRIP (EXP)-GR /MVH-120	1		EXP/GR	
41	4582-14409-OR	HANDLE GRIP (EXP)-OR /MVH-120	1		EXP/OR	
42	0012-20820	BOLT 8X20 T	2			
43	0302-08200	SW M8	2			
47	4583-37430-GR	TRAVEL LEVER-GR /MVH-120	1		JPN/GR	
47	4583-37430-GR	TRAVEL LEVER-GR /MVH-120	1		EXP/GR	
47	4583-37439-OR	TRAVEL LEVER-OR/MVH-120	1	SX	EXP/OR	
48	4584-51420	COLLAR /MVH-120	1		JPN	
49	0015-20820	SOCKET HEAD BOLT 8X20 T	2		JPN	
50	4713-54800	LEVER, TRAVEL (LOOP)/MVH158	2		EXP	
51	0012-20830	BOLT 8X30 T	2		EXP	
52	0311-08160	PW M8	2		EXP	

OPERATION

NO.	PART/NO.	PartsName	Q' TY	MK2	REMARKS	List Price
53	0302-08200	SW M8	2		EXP	
55	0227-10809	NYLON NUT M8	2			
56	0302-08200	SW M8	2			
57	4583-37480	PUMP HOLDER /MVH-120	1			
61	4711-22170	HANDLE BAR /MVH-158	1			
62	3623-41550	THROTTLE BODY /MT-55	1			
63	3629-10090	THROTTLE, GEAR CP, W/BOLT	1			
68	3624-55630	THROTTLE LEVER /MT-55	1			
69	3624-55620	SLIDER /MT-55	1			
70	0501-00450	O-RING G-45	1			
71	0502-00100	O-RING P-10	1			
72	0311-10160	PW M10	3			
73	0321-10180	CONICAL SPRING WASHER M10	2			
75	0962-06006	SOCKET HEAD SCREW 6X6	1			
76	0204-10060	NUT M10, H=6	1			
77	0221-31008	CAP NUT M10	1			
78	0962-08020	SOCKET HEAD SCREW 8X20	1			
79	0204-08050	NUT M8, H=5	1			
80	0012-20625	BOLT 6X25 T	2			
81	0302-06150	SW M6	2			
82	0311-06100	PW M6	2			
83	4634-55960	THROTTLE NUT /MVH-R60	1			
94	4594-52060	OIL HOSE 940L/MVH-150	1			
95	4584-51630	BREATHER CAP/ MVH-100/150	1			
96	9540-03150	MALE CONNECTOR, O-RING 1/4	1			
97	9544-09880	CLAMP M6/MT	1			
98	0012-20615	BOLT 6X15 T	1			
99	0302-06150	SW M6	1			
104	4592-19610	HAND PUMP /MVH-150	1			
107	0015-20510	SOCKET HEAD BOLT 5X10 T	1			
108	4634-55950	SPACER, THROTTLE /MVH-R60	1			
110	9561-00078	THROTTLE WIRE 1150-1250G	1			

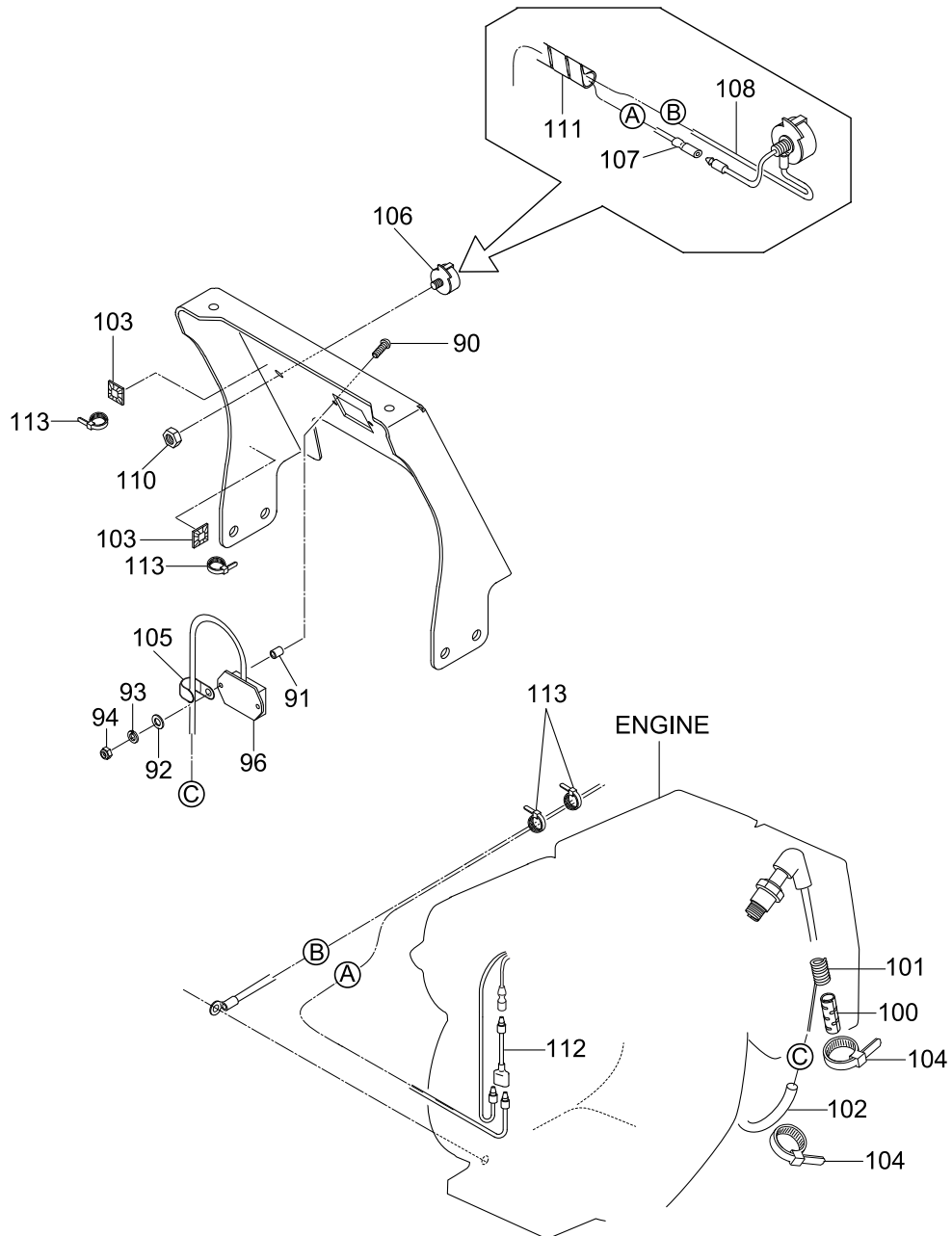
ELECTRIC DEVICE

4XT0

MVH-108H /128 GH

ELECTRIC DEVICE (HONDA: GX160)

電装関係 (ホンダ GX160)



ELECTRIC DEVICE

NO.	PART/NO.	PartsName	Q' TY	MK2	REMARKS	List Price
90	0091-10072	PAN HEAD SCREW 5X35	2			
91	9524-07930	COLLAR 6X10X13.5	2			
92	0311-05080	PW M5	2			
93	0302-05130	SW M5	2			
94	0227-10506	NYLON NUT M5	2			
96	9550-10319	TP-22 TACHO/HOUR METER	1			
100	9550-10307	CLIP BELT/TP-22	1			
101	9550-10317	CURL CORD/L270/MVH-150	1			
102	9590-26836	RUBBER TUBE / D4.5-190	1			
103	9554-07970	WIRING FIXED BASE/MVH-206	2			
104	5060-10070	CLAMP TC-150	2			
105	9544-09880	CLAMP M6/MT	1			
106	9553-01010	STOP SWITCH, ENGINE/MVH308	1			
107	4684-67570	READ CORD (1300L) /MVH408GH	1			
108	4674-66980	LEAD WIRE (SW-GROUND)	1			
110	0229-10340	LOCK NUT U-M8/THIN	1			
111	9590-21827	SPIRAL TUBE 6D-950L	1			
112	5154-50380	WIRE HARNESS /MRH-600, 700	1	SX		
113	5060-10070	CLAMP TC-150	4			

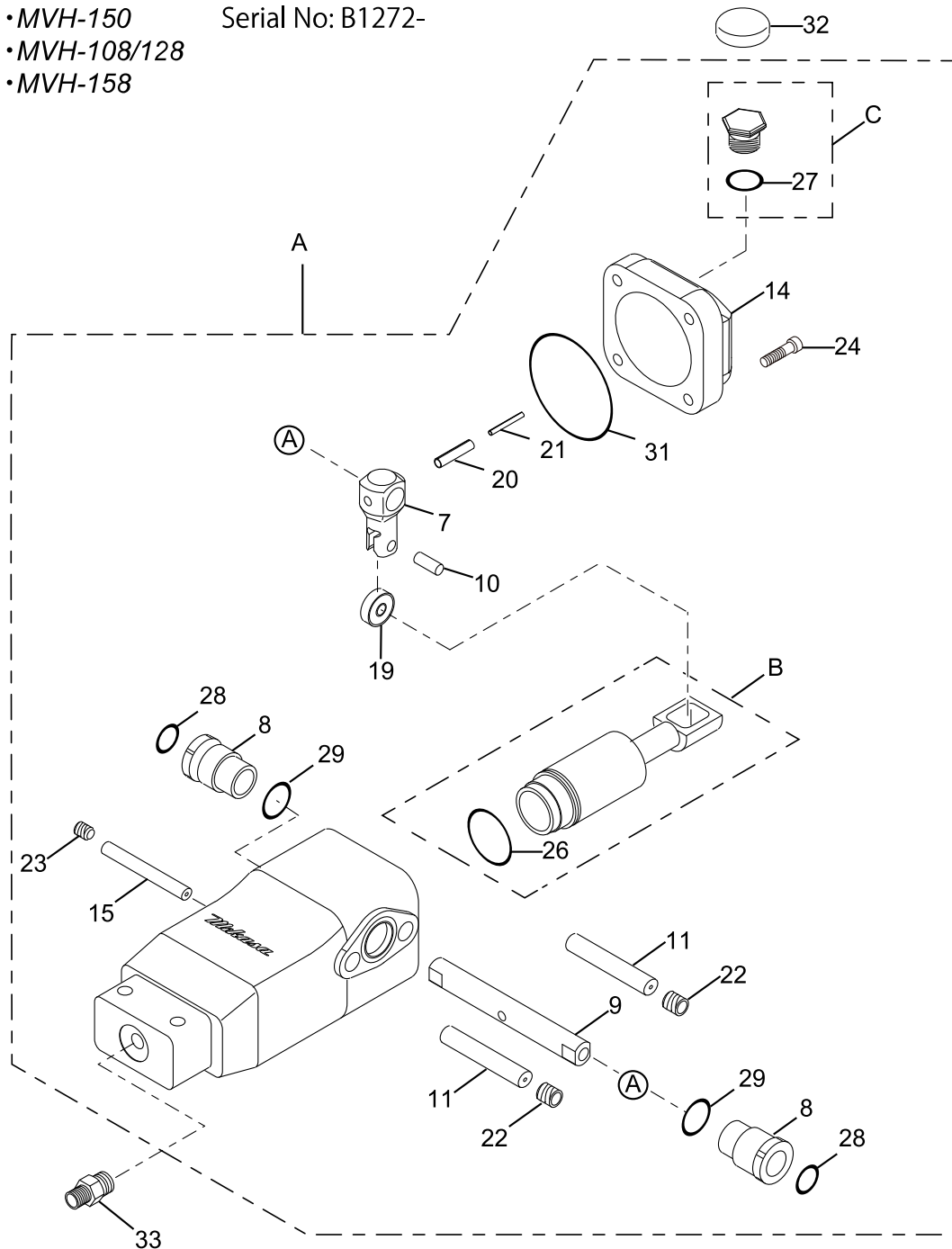
HAND PUMP AY

MVH-100A, 150, 108/128, 158

4XJ0

HAND PUMP AY / ハンドポンプAY

- MVH-100A Serial No: B1353-
- MVH-150 Serial No: B1272-
- MVH-108/128
- MVH-158



HAND PUMP AY

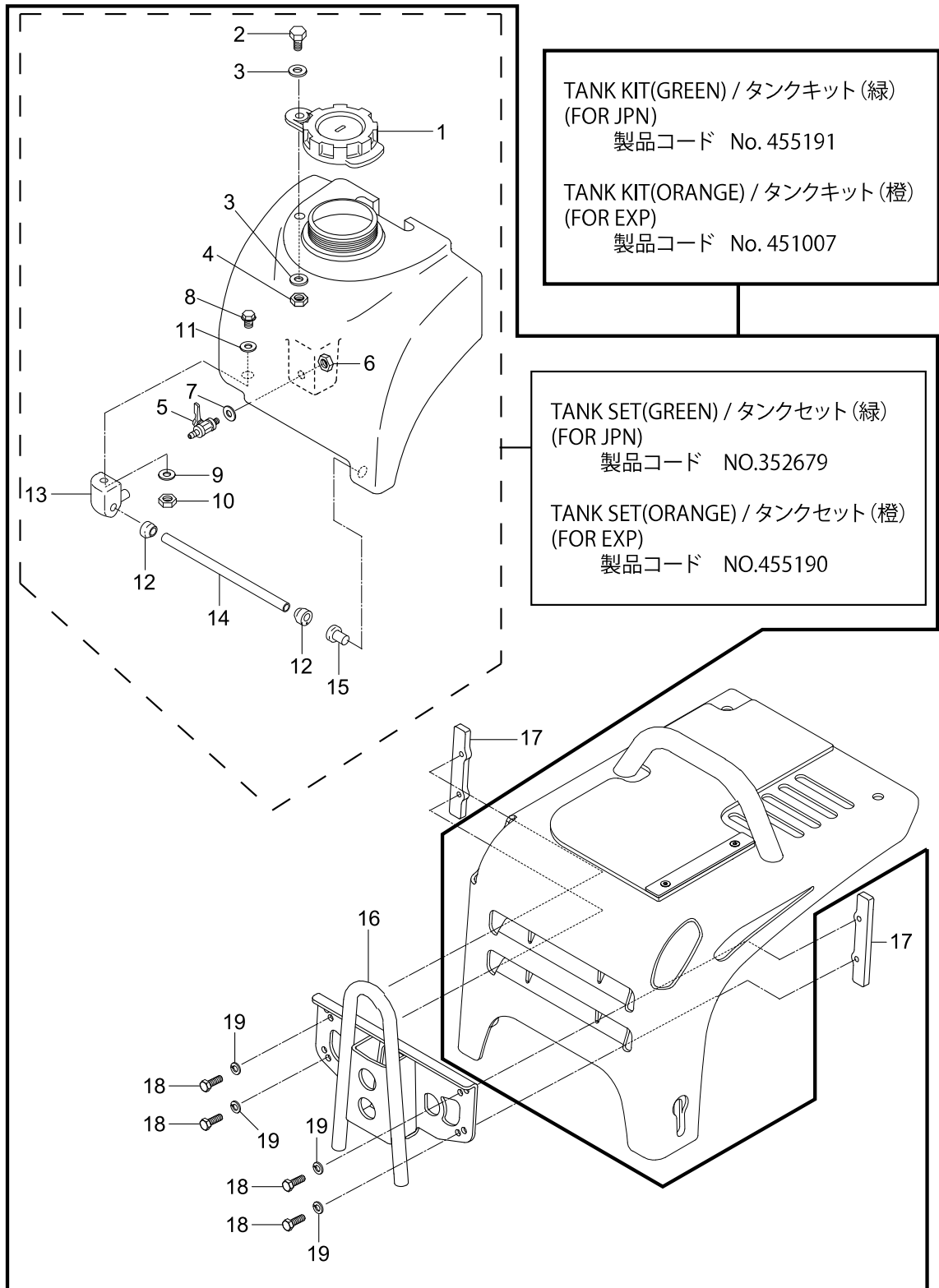
NO.	PART/NO.	PartsName	Q' TY	MK2	REMARKS	List Price
A	4592-19610	HAND PUMP /MVH-150	1			
B	4599-10100	CYLINDER, SPOOL AY	1			
C	4599-10110	BREATHER AY/MVH-158	1		INCL. 27	
7	4594-69370	CONTROL ARM/150	1			
8	4594-69380	BUSH/MVH-150	2			
9	4594-69390	CONTROL, SHAFT (PUMP) /MVH-150	1			
10	4704-68940	PIM 7X18, PUMP/MVH-208	1			
11	4594-69410	STOPPER PIN(11X65)	2			
14	4592-19620	COVER(HAND PUMP/MVH-150	1			
15	4594-69420	PIN 8x68	1			
19	0403-00627	BEARING 627/MC3	1			
20	0254-06028	SPRING PIN 6X28	1			
21	0254-03528	SPRING PIN 3.5X28	1			
22	5050-15380	PLUG PT1/4	2			
23	5060-10160	SOCKET HEAD PLUG PT1/8	1			
24	0015-20625	SOCKET HEAD BOLT 6X25 T	4	!0091-10039		
26	0503-00340	O-RING S-34	1			
27	0502-00180	O-RING P-18	1			
28	0502-10150	O-RING P-15-1B	2			
29	0502-00200	O-RING P-20	2			
31	0503-00670	O-RING S-67	1			
32	4584-51630	BREATHER CAP/ MVH-100/150	1			
33	9540-03150	MALE CONNECTOR, O-RING 1/4	1			

WATER TANK ASSY

4XU0

MVH-108 / 128

WATER TANK ASSY / 散水タンク関係



WATER TANK ASSY

NO.	PART/NO.	PartsName	Q' TY	MK2	REMARKS	List Price
1	9543-00343	CAP, WATER TANK (NBR)	1			
2	0012-41030	BOLT 10X30 U	1			
3	0339-10160	PW M10 (SUS)	2			
4	0229-10270	NUT M10 (SUS)	1			
5	9544-03241	COCK PT1/4, BH-1211 (AL) /R	1			
6	9594-03790	NUT PS-1/4	1			
7	9534-08270	PACKING 11. 5X19. 5X1	1			
8	0017-40825	FLANGE BOLT 8X25 (SUS)	1			
9	0339-10110	PW M8 (SUS)	1			
10	0203-08064	NUT M8 (SUS)	1			
11	9534-07410	PACKING, 8X15X2T	1			
12	4184-57890	RUBBER (SPRINKLINK)	2			
13	4163-38940	PIPE HOLDER (L) /MVC-88	1			
14	4183-44110	SPRINKLING PIPE	1			
15	4184-57010	RUBBER CAP / MVC-F60, F70	1			
16	4712-19750	BRACKET, WATER TANK /158	1			
17	4714-70360	MOUNT NUT/MVH-158	1			
18	0012-20825	BOLT 8X25 T	2			
19	0302-08200	SW M8	4			