

# PARTS LIST

HT238P

## CONTENTS

1. PARTS KIT.....	1
2. MAIN BODY .....	3
3. ENGINE .....	7
4. CARBURETOR, FUEL TANK .....	11
5. ACCESSORIES .....	13

2020. 12.

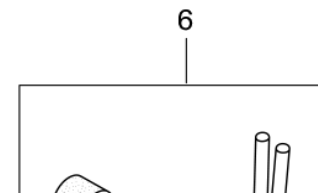
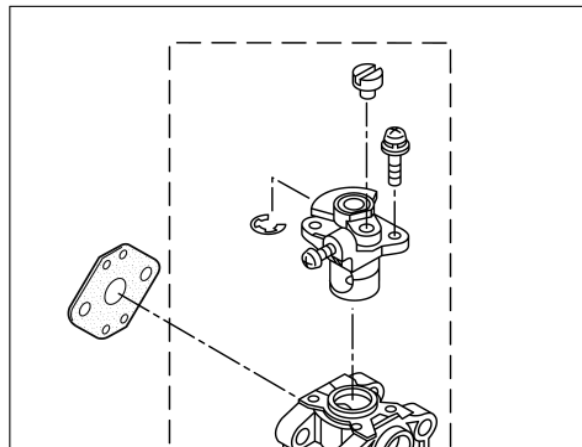
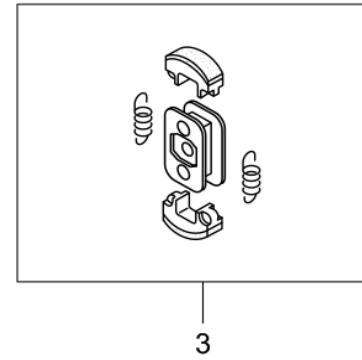
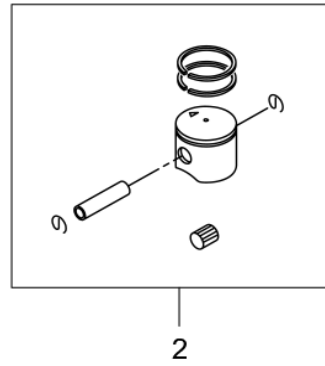
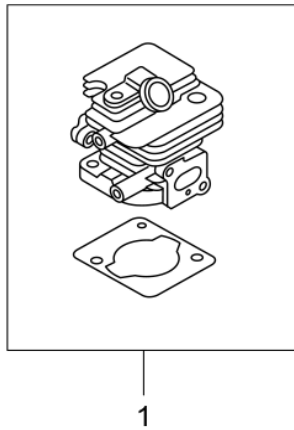


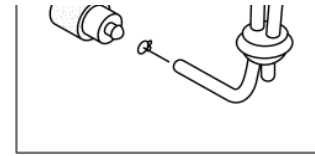
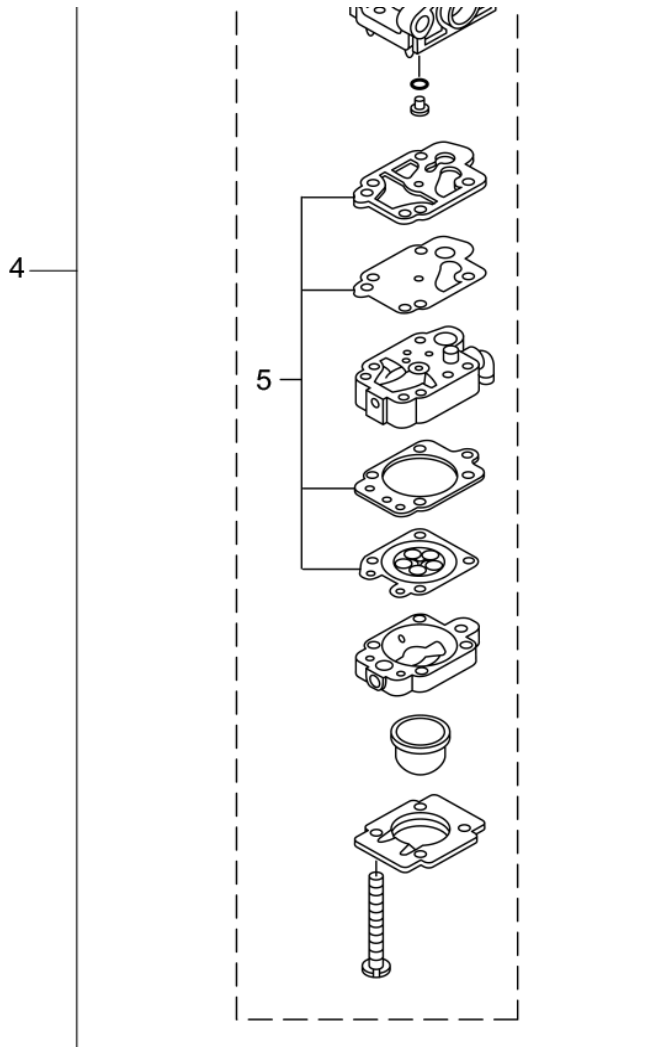
**MARUYAMA**

P/N 524562-4

# HT238P

## 1. PARTS KIT





- 1 -

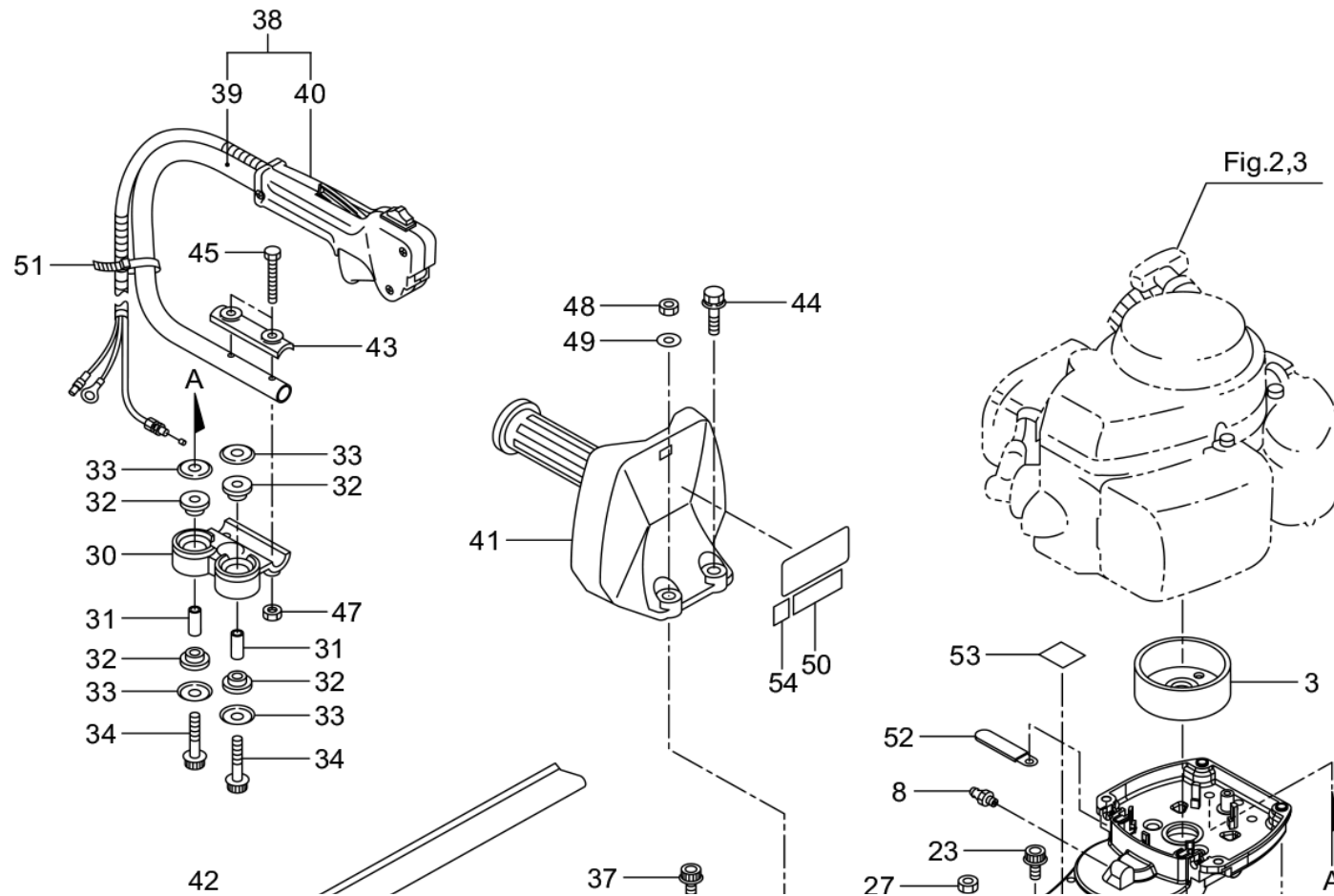
1

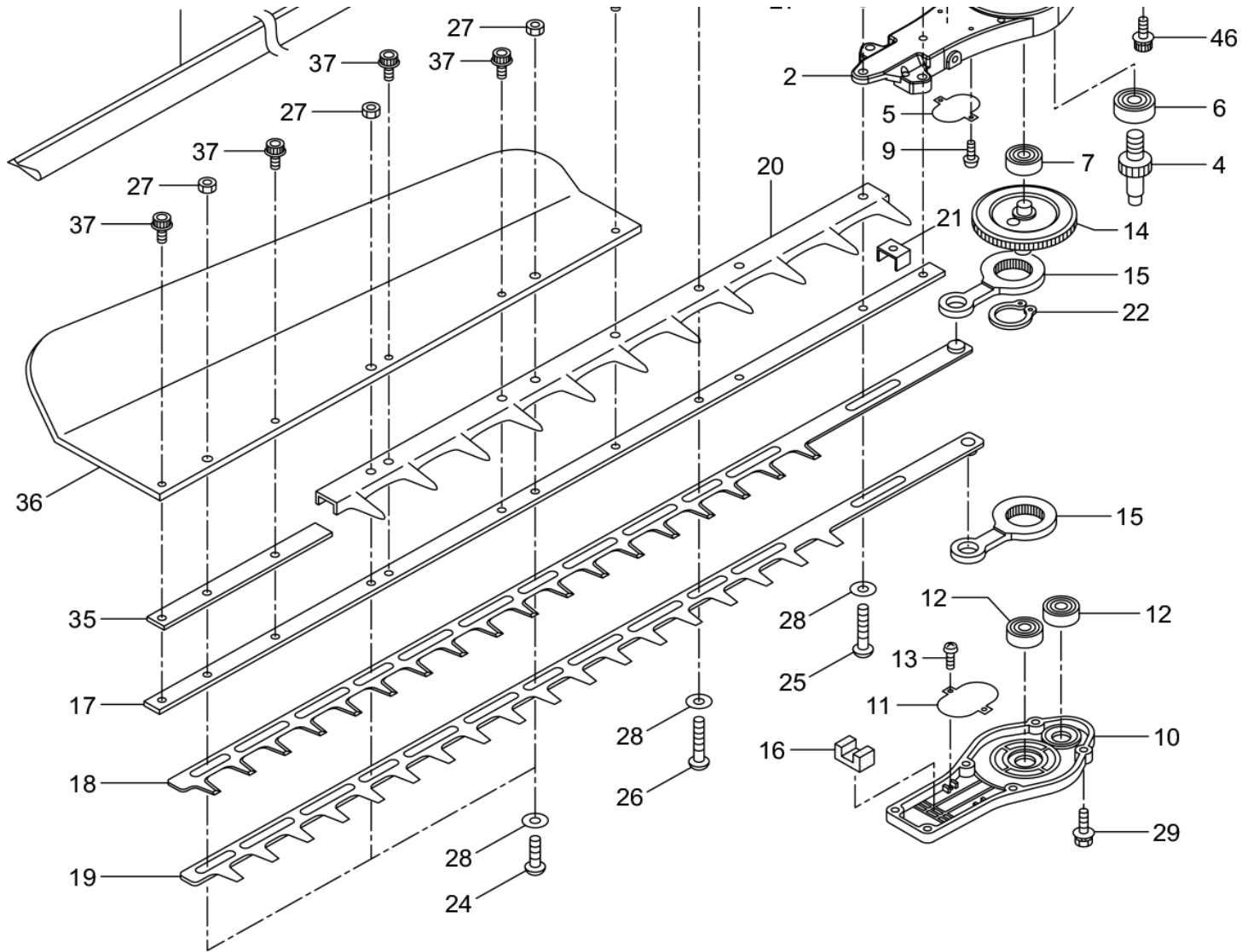
Status	Position	Parts Number	Parts Name	Unit Quantity	Set Unit Quantity	Remarks	Price	Maker code
	1	247691	CYLINDER KIT	1				
	2	247685	PISTON KIT	1				

Status	Position	Parts Number	Parts Name	Unit Quantity	Set Unit Quantity	Remarks	Price	Maker code
	3	247660	CLUTCH KIT	1				
	4	247852	CARBURETOR KIT	1		Incl.5		
	5	247867	CARBURETOR PARTS KIT	1				
	6	247864	HOSE KIT	1				

# HT238P

## 2. MAIN BODY





- 3 -

1

Status	Position	Parts Number	Parts Name	Unit Quantity	Set Unit Quantity	Remarks	Price	Maker code
	1	362440	HT238P(EU01)	1				
	2	279077	UPPER CASE	1				

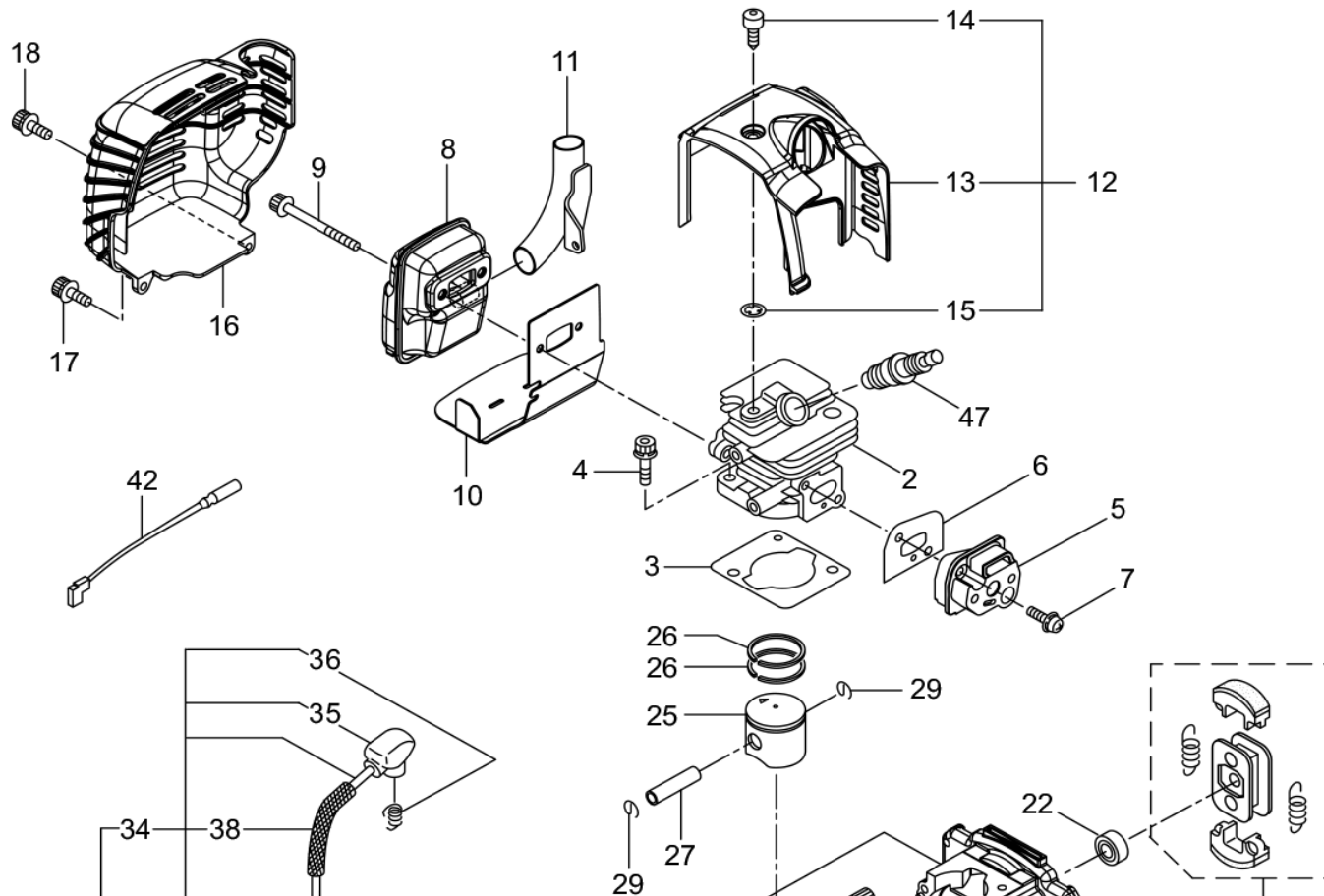
Status	Position	Parts Number	Parts Name	Unit Quantity	Set Unit Quantity	Remarks	Price	Maker code
	3	270021	CLUTCH DRUM	1				
	4	271473	PINION GEAR	1				
	5	271474	PLATE	1				
	6	580767	BEARING 6001 2RS	1		#6001 2RS		K354-060010
	7	270423	BEARING 608ZZ	1				
	8	991937	GREASE NIPPLE	1		M6		
	9	991924	SCREW M3X5	2	10	M3x5		900-040
	10	271475	LOWER CASE	1				
	11	271474	PLATE	1				
	12	270423	BEARING 608ZZ	2				
	13	991924	SCREW M3X5	2	10	M3x5		900-040
	14	271465	CRANK COMPLETE	1				
	15	271466	ROD	2				
	16	270567	FELT	1				
	17	279079	GUIDE PLATE	1				
	18	279080	UPPER BLADE	1				
	19	279081	LOW BLADE	1				
	20	279082	BLADE GURD S	1				
	21	270757	PLATE	1				
	22	580777	SNAP RING	1	5	#26		K283-026000
	23	272282	SCREW	1				
	24	991914	SCREW	3				008-247
	25	271229	SCREW	1				
	26	279083	SCREW	1				
	27	991941	U-NUT	4	5	M6		
	28	991913	WASHER	5	10			008-250
	29	271910	SCREW	6				
	30	577136	HANDLE BRACKET	1				136-100
	31	274288	SPACER	2				
	32	274289	CUSHION	4				
	33	274290	WASHER	4				
	34	274291	SCREW	2				
	35	279084	Spacer	1				
	36	274526	PLATE	1				
	37	279085	SCREW	5				
	38	274240	LEFT HANDLE ASSY	1		Incl.39,40		

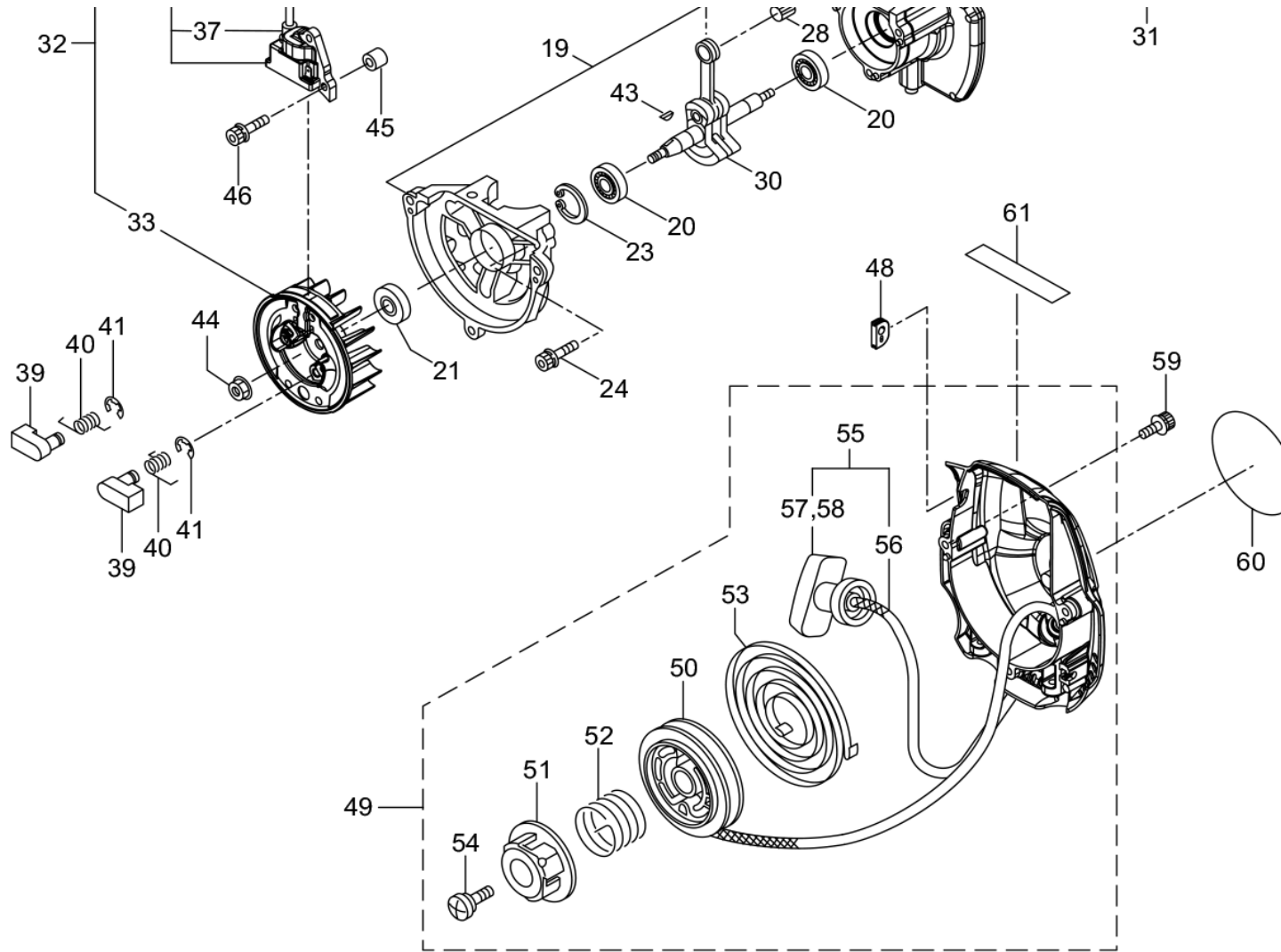


Status	Position	Parts Number	Parts Name	Unit Quantity	Set Unit Quantity	Remarks	Price	Maker code
	39	274241	LEFT HANDLE	1				
	40	274242	THROTTLE TRIGGER	1				
	41	270090	RIGHT HANDLE COMPLETE	1				
	42	270070	BLADE COVER	1				
	43	577133	HANDLE FITTING	1				136-103
	44	270151	SCREW	1		M6x20		
	45	580796	HEXAGON HEAD BOLT	2	5	M5x30		K040-050301
	46	271908	SCREW	4				
	47	991938	NUT	2		M5		900-200
	48	991941	U-NUT	1	5	M6		
	49	991964	WASHER	1				900-321
	50	270566	LABEL	1				
	51	274299	BAND	2				
	52	274300	CLAMP	1				
	53	266960	LABEL	1				
	54	287394	LABEL	1		109dB		

# HT238P

## 3. ENGINE





- 7 -

1

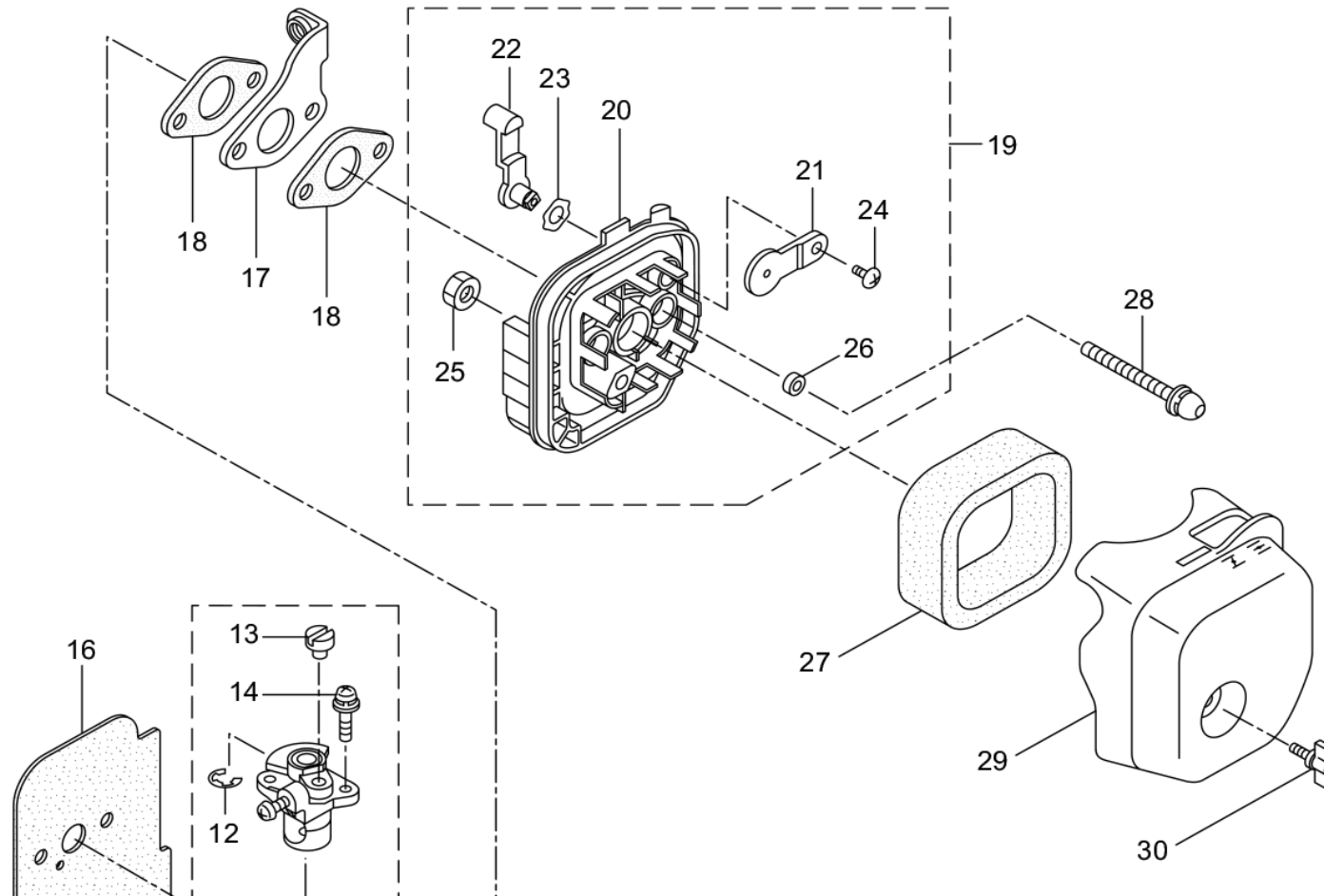
Status	Position	Parts Number	Parts Name	Unit Quantity	Set Unit Quantity	Remarks	Price	Maker code
	1	875158		1		HE232/05		
	2	278641	CYLINDER	1				

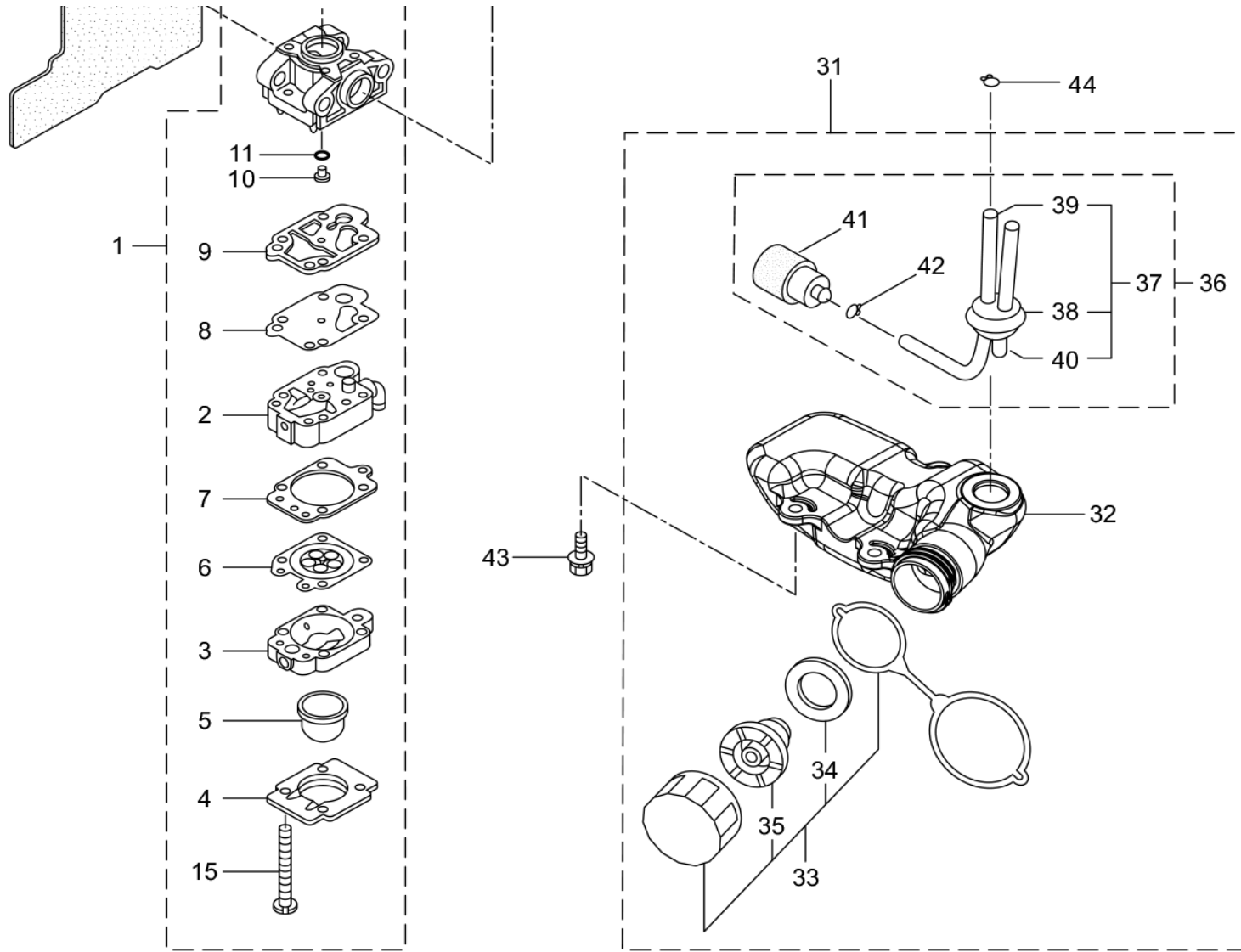
Status	Position	Parts Number	Parts Name	Unit Quantity	Set Unit Quantity	Remarks	Price	Maker code
	3	289643	GASKET	1				
	4	267290	CAP SCREW	2	5	M5x20		
	5	272744	INSULATOR	1		New gasket required		
	6	267049	GASKET	1	5			
	7	265924	CAP SCREW	2	5	M5x25		
	8	278263	MUFFLER	1				
	9	266402	CAP SCREW	2	5	M5x55		
	10	246971	GASKET	1				
	11	278987	PIPE COMP	1				
	12	278288	CYLINDER COVER	1		Incl.13-15		
	13	277793	CYLINDER COVER	1				
	14	286399	BOLT	1		M5		
	15	286270	WASHER	1		M5		
	16	278272	MUFFLER COVER	1				
	17	261607	CAP SCREW	1	5	M5x16		
	18	267191	CAP SCREW	1	5	M5x16		
	19	278208	CRANK CASE	1				
	20	261181	BEARING 6000C3	2		#6000C3		
	21	277906	OIL SEAL	1				
	22	277909	OIL SEAL	1				
	23	054676	RING SNAP	1	5	#26		
	24	261246	CAP SCREW	3	5	M5x25		
	25	272204	PISTON	1				
	26	264891	PISTON RING	2		(2)required		
	27	261036	PISTON PIN	1				
	28	288520	NEEDLE BEARING	1				
	29	261576	CLIP PISTON	2				
	30	283155	CRANKSHAFT COMPLETE	1				
	31	246054	CLUTCH ASSY	1				
	32	278161	MAGNETO	1		Incl.33-38		
	33	278176	ROTOR	1				
	34	278293	IGNITION COIL	1		Incl.35-38		
	35	282292	PLUG CAP	1				
	36	261075	CONNECTOR	1				
	37	261072	CAP	1				
	38	280080	TUBE	1				

Status	Position	Parts Number	Parts Name	Unit Quantity	Set Unit Quantity	Remarks	Price	Maker code
	39	280936	RACHET	2				
	40	280553	SPRING	2				
	41	020299	E-RING #4	2	10	#4		
	42	267492	LEAD	1		130L		
	43	261076	WOODRUFF KEY 3X10	1	5	3x10		
	44	261077	NUT	1	5	M6		
	45	280381	SPACER	2	5			
	46	279850	SCREW	2		M4x25		
	47	288264	SPARK PLUG	1		BPMR8Y		
	48	278294	GROMMET	1				
	49	278177	STARTER ASSY	1		Incl.50-58		
	50	286363	REEL	1				
	51	286364	CAM PLATE	1				
	52	283290	DAMPER SPRING	1				
	53	280931	SPIRAL SPRING	1				
	54	267213	SCREW	1				
	55	283291	ROPE ASSY	1		Incl.56-58		
	56	283292	STARTER ROPE	1				
	57	261725	STARTER GRIP	1				
	58	283293	ROPE STOPPER	1				
	59	267290	CAP SCREW	3	5	M5x20		
	60	278991	LABEL	1		HT238P		
	61	266959	LABEL	1		Caution		

# HT238P

## 4. CARBURETOR, FUEL TANK





- 11 -

1

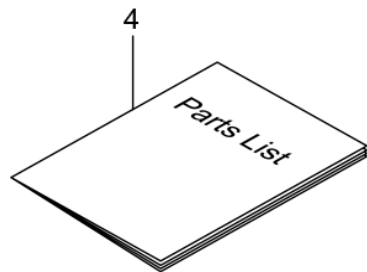
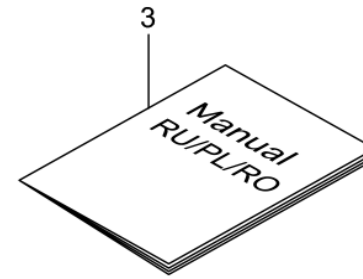
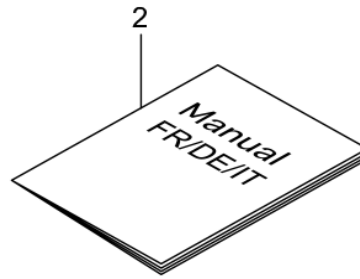
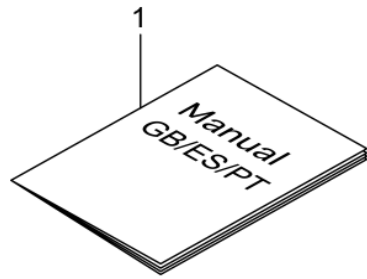
Status	Position	Parts Number	Parts Name	Unit Quantity	Set Unit Quantity	Remarks	Price	Maker code
	1	278297	CARBURETOR ASSY	1		Incl.2-15		
	2	268499	CARBURETOR BODY	1				

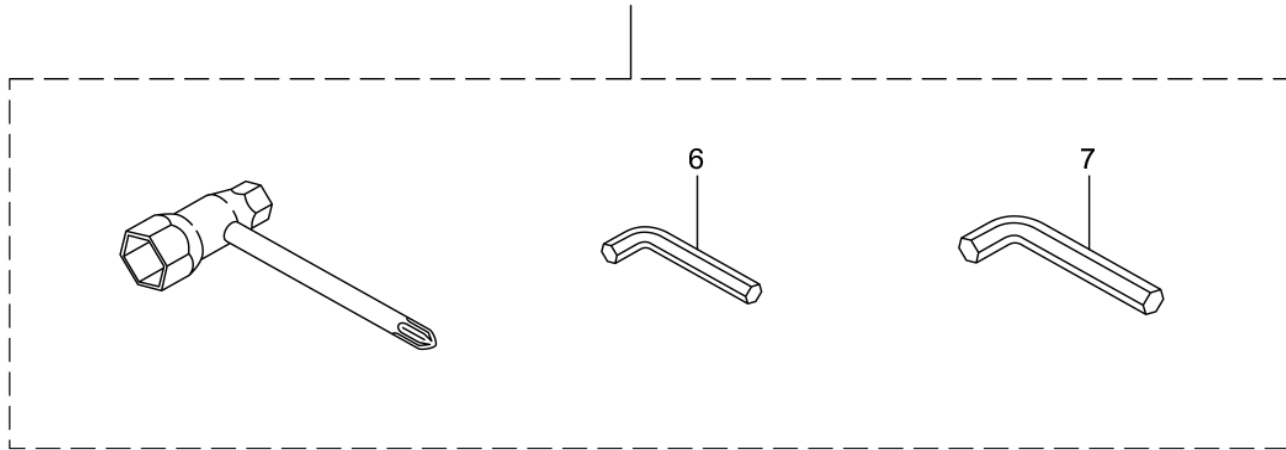
Status	Position	Parts Number	Parts Name	Unit Quantity	Set Unit Quantity	Remarks	Price	Maker code
	3	262991	PURGE BODY	1				
	4	262992	COVER	1				
	5	261874	PRIMER	1				
	6	283905	DIAPHRAGM METERRING	1				
	7	262993	GASKET	1				
	8	262994	DIAPHRAGM	1				
	9	282576	GASKET	1				
	10	289396	JET	1				
	11	261871	O-RING	1				
	12	261876	RING	1				
	13	261658	SWIVEL	1				
	14	264682	SCREW	1				
	15	262996	SCREW	1	5			
	16	278750	GASKET	1				
	17	283773	STAY	1				
	18	283771	GASKET	2				
Δ	19	289048	CASE	1		Incl.20-26		
	20	269050	CASE BODY	1				
	21	289019	MACHINED DISC	1				
	22	284803	LEVER	1				
	23	284816	WASHER	1	5	6.4x11x0.15		
	24	269032	SCREW	1	5			
	25	126993	NUT	1	5	M5		
	26	269051	SLEEVE	2				
	27	269030	ELEMENT	1				
	28	264016	CAP SCREW	2	5	M5x60		
	29	283772	CLEANER COVER	1				
	30	281438	KNOB	1				
	31	278209	TANK ASSY	1		Incl.32-42		
	32	277791	FUEL TANK	1				
	33	283438	TANK CAP ASSY	1		Incl.34,35		
	34	283727	PACKING	1	5			
	35	283764	BREATHER ASSY	1				
	36	265752	FUEL PIPE	1		Incl.37-42		
	37	264031	FUEL PIPE ASSY	1		Incl.38-40		
	38	261115	GROMMET	1				



Status	Position	Parts Number	Parts Name	Unit Quantity	Set Unit Quantity	Remarks	Price	Maker code
	39	261690	FUEL PIPE	1		160L		
	40	263038	RETURN PIPE	1		3x6x85L		
	41	277887	FILTER ASSY	1				
	42	261117	CLIP	1				
	43	269690	CAP SCREW	3	5	M5x18		
	44	261117	CLIP	1				

HT238P  
5. ACCESSORIES





- 13 -

1

Status	Position	Parts Number	Parts Name	Unit Quantity	Set Unit Quantity	Remarks	Price	Maker code
	1	278995		1		GB/ES/PT HT238P		
	2	278996		1		FR/DE/IT HT238P		

Status	Position	Parts Number	Parts Name	Unit Quantity	Set Unit Quantity	Remarks	Price	Maker code
	3	278997		1		RU/PL/RO HT238P		
	4	524562		1		HT238P		
	5	264606	TOOL SET	1		Incl.6,7		
	6	219431	SPANNER	1		3mm		
	7	219432	WRENCH	1		4mm		