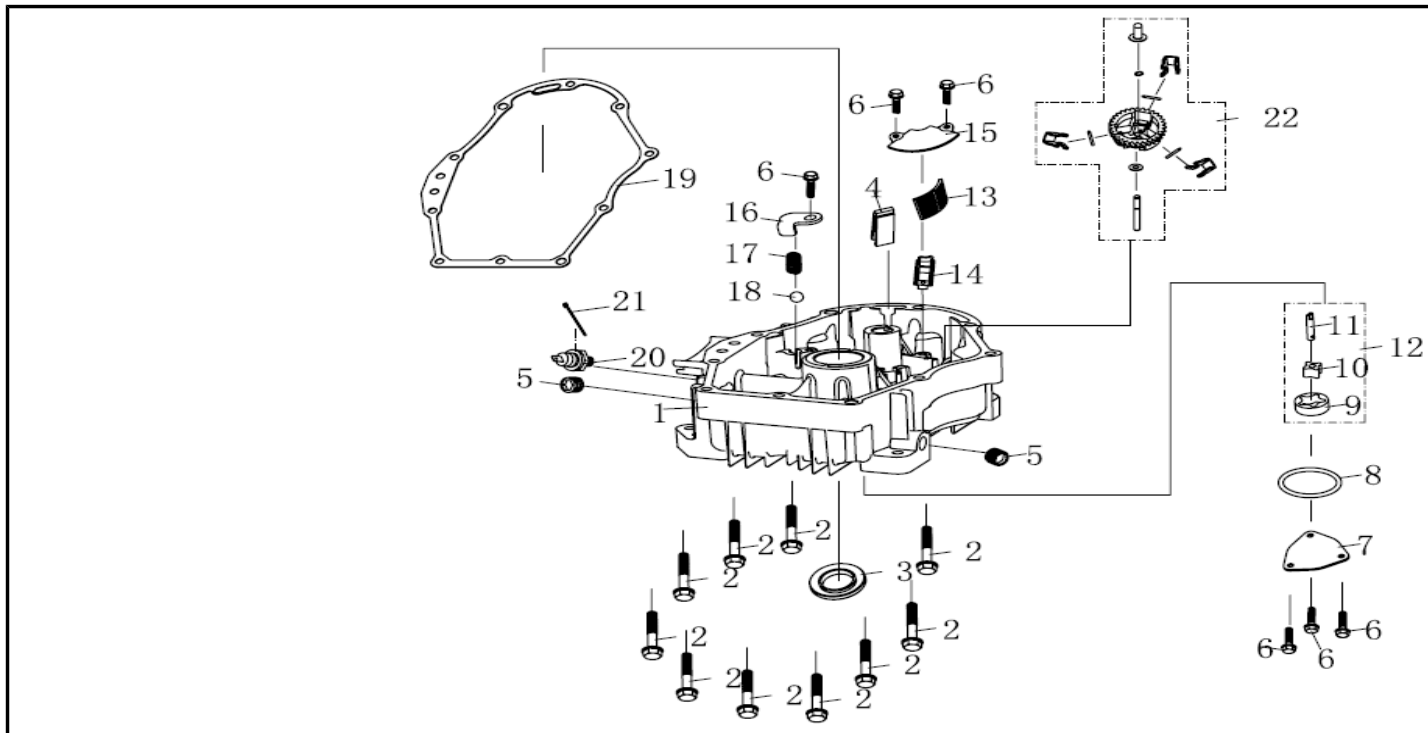


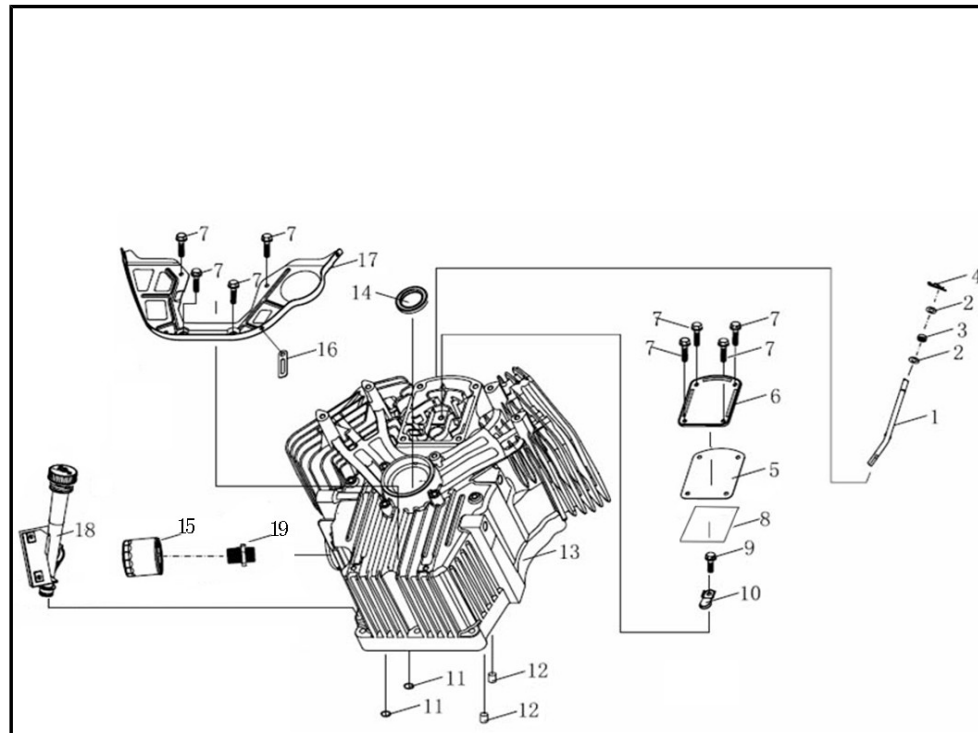
(Air Cleaner)

No.	Part No.	Description	Reqd. QTY
1	U077-F0001	Air filter	1
2	U077-F0002	Elbow,air cleaner	1
3	U077-F0003	Air filter element combination	1
4	U077-F0004	Cover,air cleaner	1
5	U077-F0005	Handle,air cleaner bolt	2
6	U077-F0006	Tube,breather	1
7	U065-FA065	Hexagon nut with flange	4



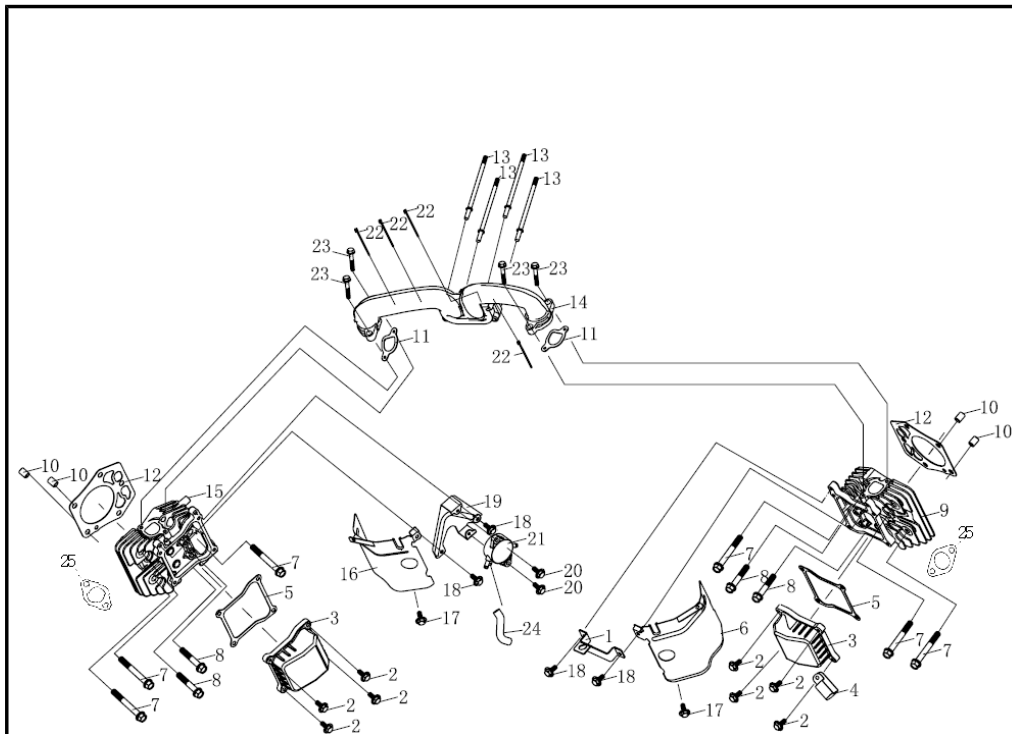
(Crankcase Cover)

No.	Part No.	Description	Reqd. QTY
1	U077-F0019	Cover,breather side	1
2	U070-FA002	Bolt,flange M8×55	10
3	U077-F0020	Oil seal,φ35×φ62×8	1
4	U077-F0021	Rubber,oil deflector	1
5	U077-F0022	Drain bolt 3/8-18 nptf	2
6	U065-FA013	Bolt,flange M6×16	6
7	U077-F0023	Oil pump cover	1
8	U077-F0024	Seal ring,oil pump 47×3.5	1
9	U077-F0025	Rotor,outer	1
10	U077-F0026	Rotor,inner	1
11	U077-F0027	Shaft oil pump	1
12	U077-F0028	Pump,oil	1
13	U077-F0029	Oil strainer	1
14	U077-F0030	Oil baffle plate	1



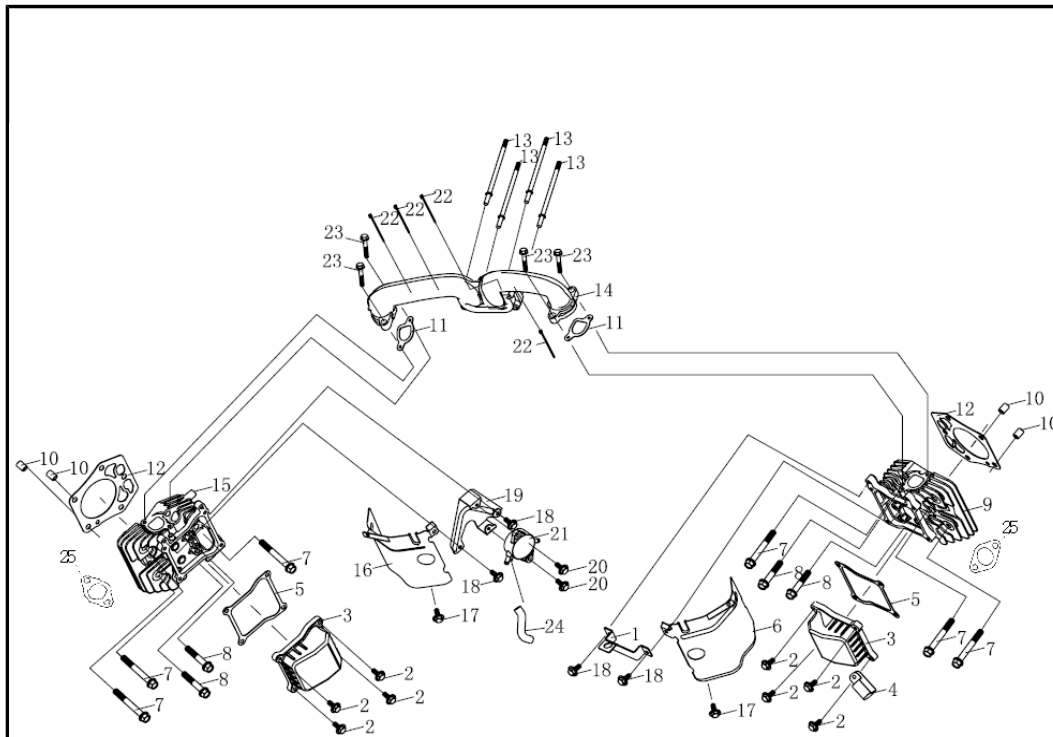
(Crankcase)

No.	Part No.	Description	Reqd. QTY
1	U077-F0039	Shaft,governor arm	1
2	U077-F0040	Washer	2
3	U077-F0041	Oil seal	1
4	U065-FA029	Pin,lock	1
5	U077-F0042	Packing,breather chamber	1
6	U077-F0043	Cap,breather chamber	1
7	U065-FA013	Bolt,flange M6×16	8
8	U077-F0044	Filter block	1
9	U065-FA097	Bolt,flange M6×12	1
10	U077-F0045	Reed valve	1
11	U077-F0046	O-ring 12×2.5	2
12	U077-F0047	Pin dowel	2
13	U077-F0048	Crank case comp	1
14	U077-F0049	Oil seal,φ35×φ52×7	1



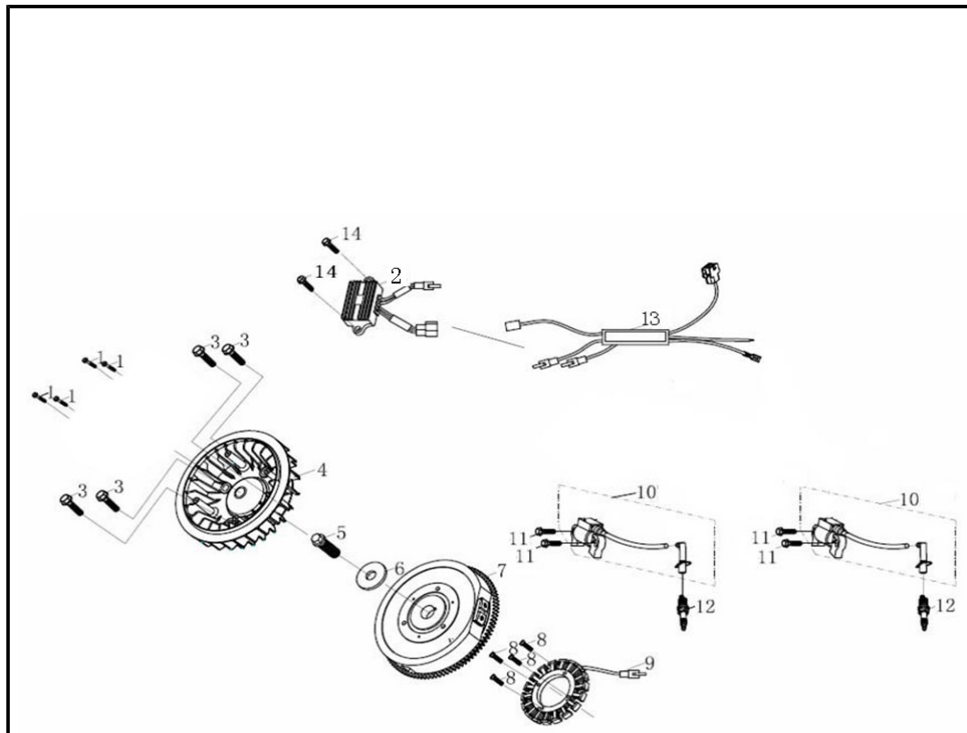
(Cylinder Head)

No.	Part No.	Description	Reqd. QTY
1	U077-F0060	Lifting eye	1
2	U077-F0061	Bolt,flange M6×25	8
3	U077-F0062	Cover comp.,head,left	2
4	U077-F0063	Clamp	1
5	U077-F0064	Packing,head cover	2
6	U077-F0065	Shroud comp	1
7	U077-F0066	Bolt,flange M10×70	6
8	U077-F0067	Bolt,flange M10×50	4
9	U077-F0068	Head comp.,cylinder	1
10	U077-F0069	Pin,dowel 12×15	4
11	U077-F0070	Packing,carburetor	2
12	U077-F0071	Gasket,cylinder	2
13	U077-F0072	Bolt,stud	4
14	U077-F0073	Inlet pipe	1



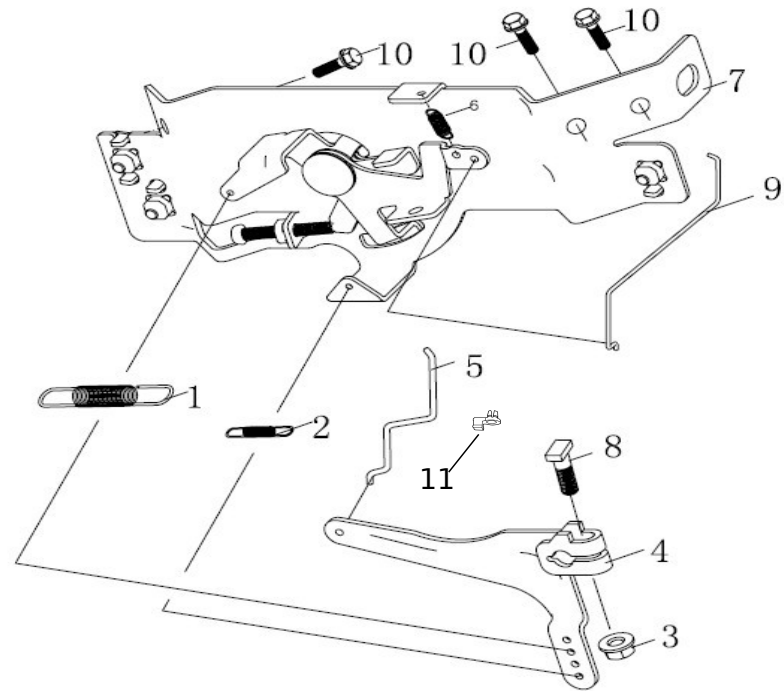
(Cylinder Head)

No.	Part No.	Description	Reqd. QTY
15	U077-F0074	Head comp.,cylinder	1
16	U077-F0075	Shroud comp	1
17	U065-FA097	Bolt,flange M6×12	2
18	U065-FA013	Bolt,flange M6×16	4
19	U077-F0076	Bracket pump	1
20	U065-FA024	Bolt,flange M6×22	2
21	U077-F0077	Fuel pump	1
22	U077-F0078	Hoop with	4
23	U065-FA044	Bolt,flange M6×35	4
24	U077-F0079	Tube,breather	1
25	U077-F0080	GASKET,EX.PIPE	2



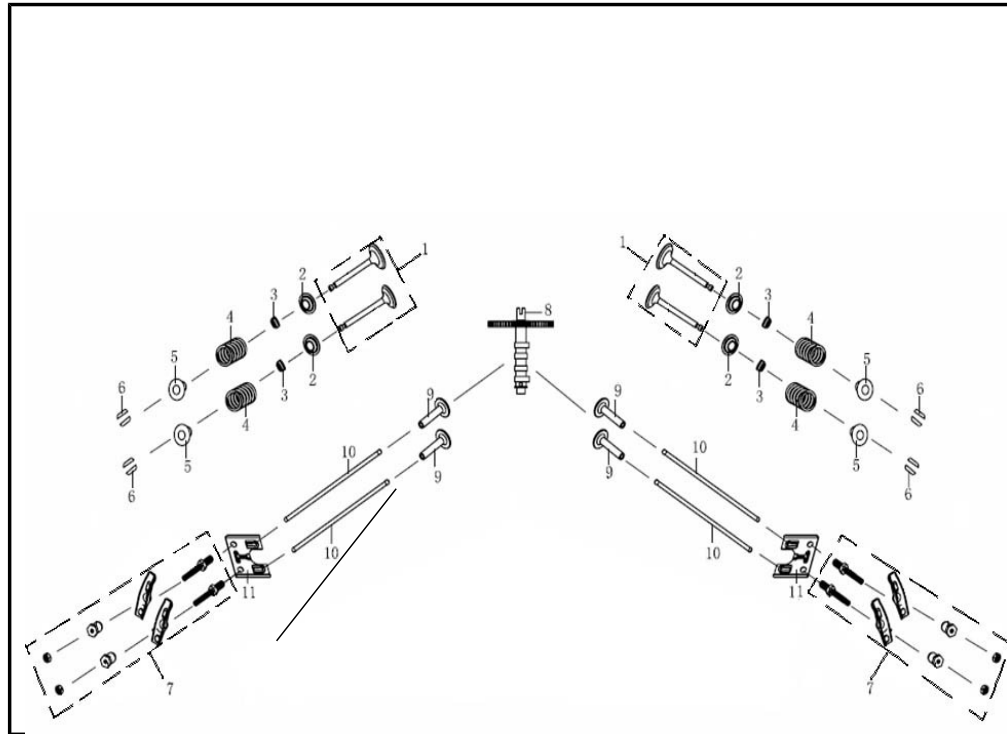
(Flywheel/Coil Assy.)

No.	Part No.	Description	Reqd. QTY
1	U077-F0081	Hexagon bolt with flange	4
2	U077-F0082	Rectifier	1
3	U077-F0083	Hexagon bolt with flange	4
4	U077-F0084	Impeller	1
5	U077-F0085	Hexagon bolt with flange	1
6	U077-F0086	Flat washer	1
7	U077-F0087	FLYWHEEL COMP	1
8	U077-F0088	Socket head screw	4
9	U077-F0089	Components of charging current	1
10	U077-F0090	COIL ASSY.,IGNITION	1
11	U065-FA024	Hexagon bolt with flange	4
12	U065-FA004	Spark plug	2
13	U077-F0091	Connecting wire	1
14	U065-FA013	Hexagon bolt with flange	2



(Governor)

No.	Part No.	Description	Reqd. QTY
1	U077-F0092	Spring,governor	1
2	U077-F0093	Extension spring	1
3	U065-FA065	Nut,flange M6	1
4	U077-F0094	Arm,governor	1
5	U077-F0095	Rod,governor	1
6	U077-F0096	Throttle return spring	1
7	U077-F0097	Contorl assy	1
8	U065-FA098	Bolt,governor arm	1
9	U077-F0098	Rod,throttle	1
10	U065-FA013	Bolt M6×16	3
11	U077-F0099	LOCKER OF CHOKE VALVE PULL	1



(Valve)

No.	Part No.	Description	Reqd. QTY
1	U077-F0103	VALVE KIT	2
2	U077-F0104	Seat, valve spring	4
3	U077-F0105	Seal, valve stem	4
4	U077-F0106	Spring, valve	4
5	U077-F0107	Retainer, ex. valve spring	4
6	U077-F0108	Valve keeper	8
7	U077-F0109	ARM ASSY.	4
8	U077-F0110	Camshaft	1
9	U077-F0111	Lifter, valve	4
10	U077-F0112	Rod push	4
11	U077-F0113	Plate, assy	2