

PARTS LIST

HONDA ENGINE

GX100U-KRBF

FOR MIKASA PRODUCTS

805-05901

FOR MODEL

TAMPING RAMMER

MTX-65/70

MIKASA SANGYO CO. , LTD.

PARTS REMARK INDEX

How to read the marks and remarks used in this parts book.

Section 1 : Explanation of Code Use In “MRK” Column

OO : Interchangeable between the new part and the old one.

XX : Not Interchangeable between new and old.

OX : New part is usable for the old machine but the old part is not usable for the new machine.

XO : The old part is usable for the new machine but the new part is not usable for the old machine.

Note : In case of the lack of interchangeability between the new part and old part, a new part may be used by replacing all other parts found in the assembly. In this case, refer to section 2 for instruction on identifying other parts involved in a new assembly.

AD : Newly established(added)

DC : Suspended(discontinued)

NC : Part number changed

QC : Quantity used has been changed

NS : Not supplied individually but supplied in an assembly or a group.

AS : Special part designed to allow interchangeability between new and old part.

CR : Correction

Section 2 : Items Found In “Remark” Column

Serial Numbers - Where indicated, this indicates a serial number range (inclusive) where a particular part is used.

Model Number - Where indicated, this shows that the corresponding part is utilized only with this specific model number or model number variant.

or * : All parts with the same number following # or * belong to the same assembly. this part cannot be interchanged individually with any other assemblies to replace an old part (indicated by #), with a new part(indicated by *), then all other parts of that assembly must be replaced with new ones.

Note : If more than one of the same reference number is listed, the last one listed indicates newest(or latest)part available.

Section 3: Example

REF NO.	PART NO.	PART NAME	QTY	MRK	REMARKS
457(1)	5122-09230	Hinge Metal, Upper/24g	1		-1070 #3 (5)
457(2)	5072-09420	Hinge Metal, Upper M16	1	OX(3)	U1071-(6) * 3(7)

(1) Old part

(2) New part

(3) New part usable with old machine, but old part not usable with new machine (reference section 1).

(4) Old part number is used through this machine serial number.

(5) Old part, used in an assembly with other parts marked with #3. To use this part on a new machine, all other parts in this assembly must be replaced with old ones.

(6) New part put into use starting with this serial number and is still current.

(7) New part used in an assembly with other parts marked * 3, to use this part as a replacement for an old part, all other * 3 marked parts must be changed at the same time.

Section 4: Items Found In “MK2” Column

(only for suspended products)

! OO (“OO” is shown in figure) : The part shown in lower line is supplied.

! SD : Not available due to termination of production.

! NS : Not supplied individually, but supplied in an assembly or a group.

! PD : Supplied as unit product.

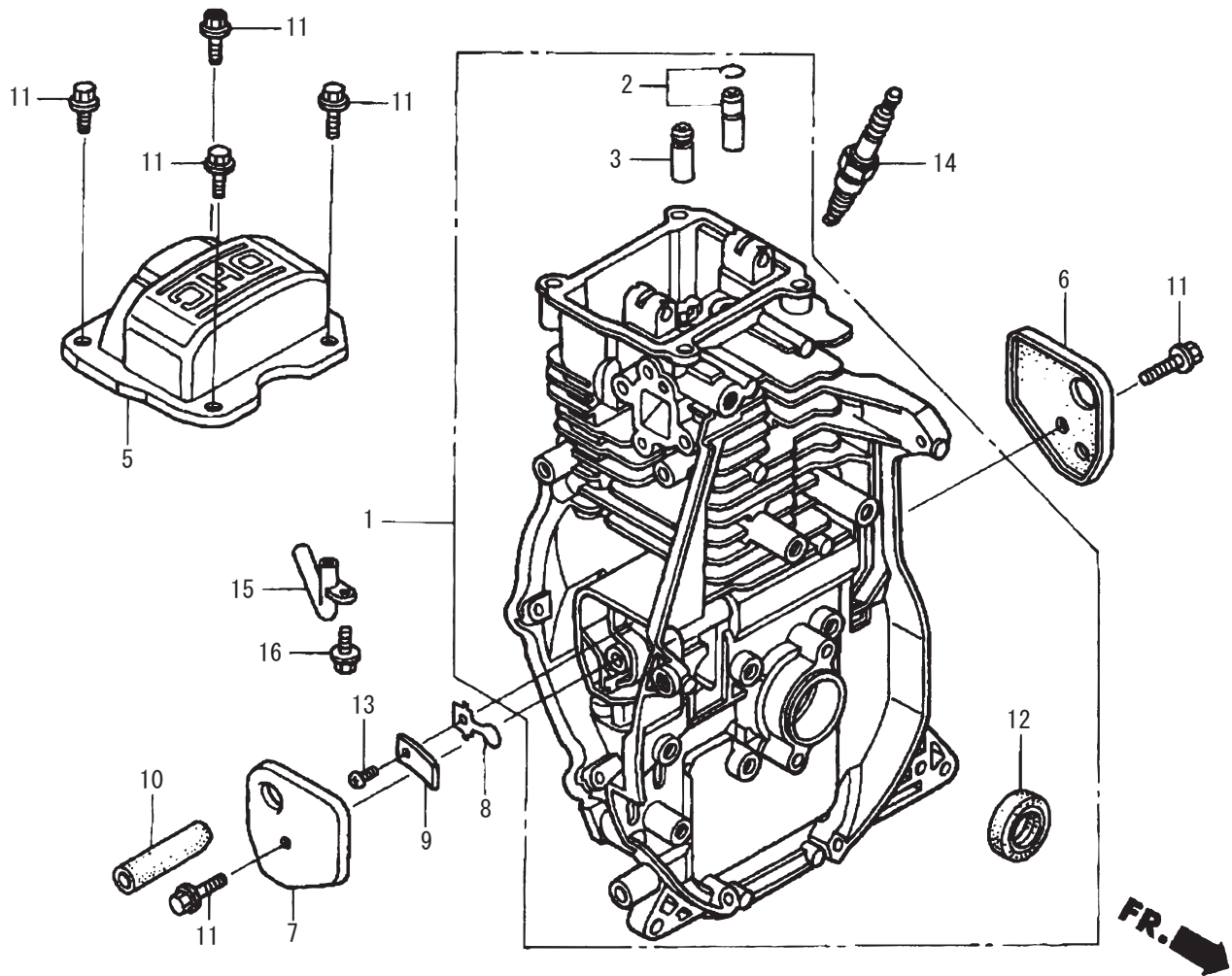
SS : Not available after stock run out.

(The contents of this parts catalog are subject to change without notice.)

GX100U-KRBF (FOR MTX-65 / 70)

BAJO

1. CYLINDER BARREL



2008/3/19

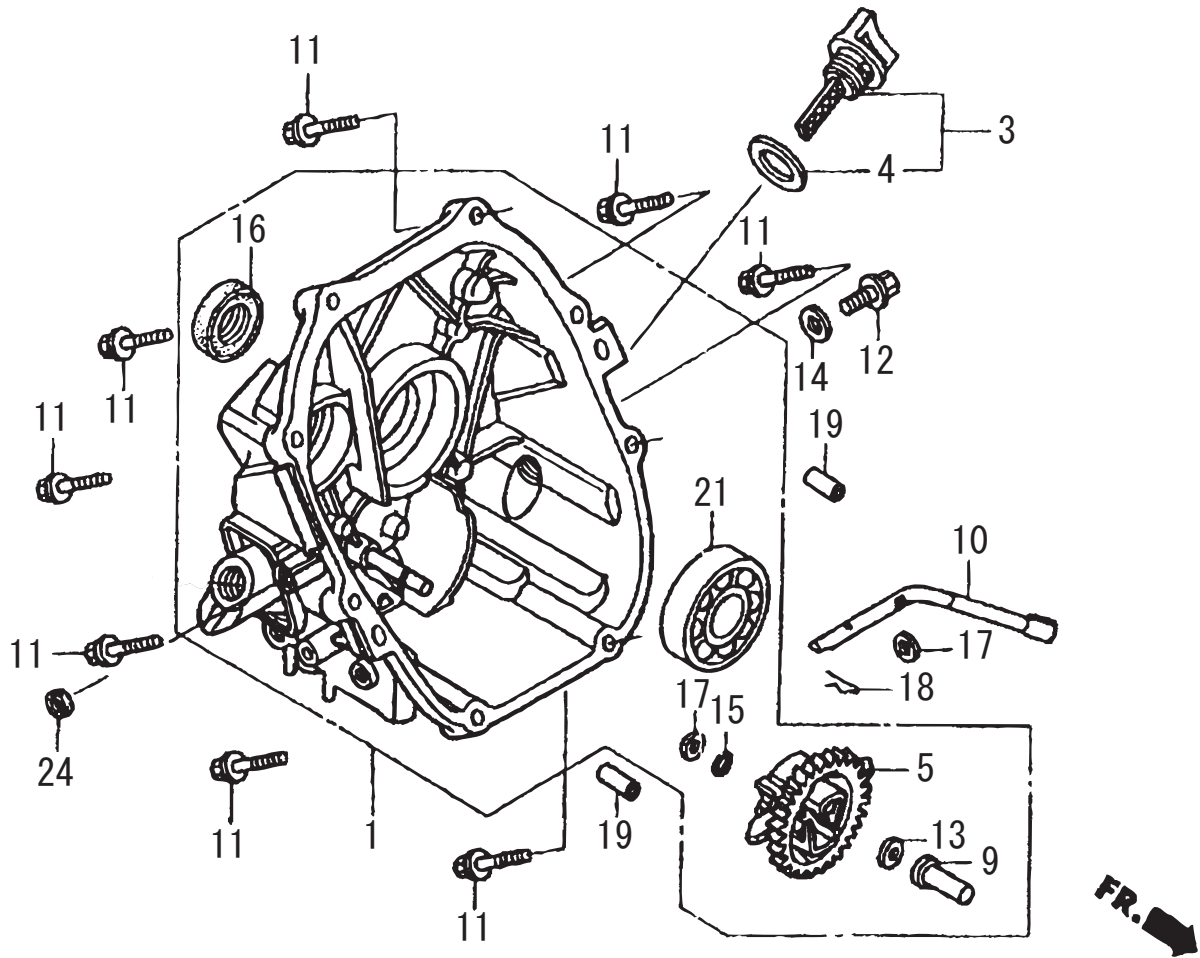
** BAJ **

REF NO.	PART NO.	PART NAME	Q' TY	MRK	MK2	REMARKS
1	12000-Z0D-V00	BARREL ASSY., CYLINDER / U	1			
2	12201-Z0D-305	GUIDE ASS'Y, EX VALVE(OS)	1			
3	12204-Z0D-305	GUIDE, INLET VALVE (O. S.)	1			
5	12311-Z0D-000	COVER, HEADT	1			
6	12355-Z0D-000	COVER COMP A, BREATHER	1			
7	12365-Z0D-000	COVER COMP B, BREATHER	1			
8	15571-Z0D-V71	VALVE, OIL OUTLET	1			
9	15572-ZM7-000	PLATE, STOPPER	1			
10	15721-Z0D-V70	TUBE, BREATHER/GX100U/MTX	1			
11	90014-952-000	VOLT, FLANGE 6X14(CT200)	6			
12	91202-KJ9-003	OIL SEAL 20X32X6	1			
13	93500030050A	SCREW 3X5	1			
14	98056-55757	PLUG, SPARK (U16FSR-UB)	1			
14	98056-55777	PLUG, SPARK (CR5HSB)	1			
15	15171-Z0D-V00	PIPE, BREATHER	1			
16	90008-ZM7-000	BOLT 4X10	1			

GX100U-KRBF (FOR MTX-65 / 70)

BAK0

2. CRANK CASE COVER

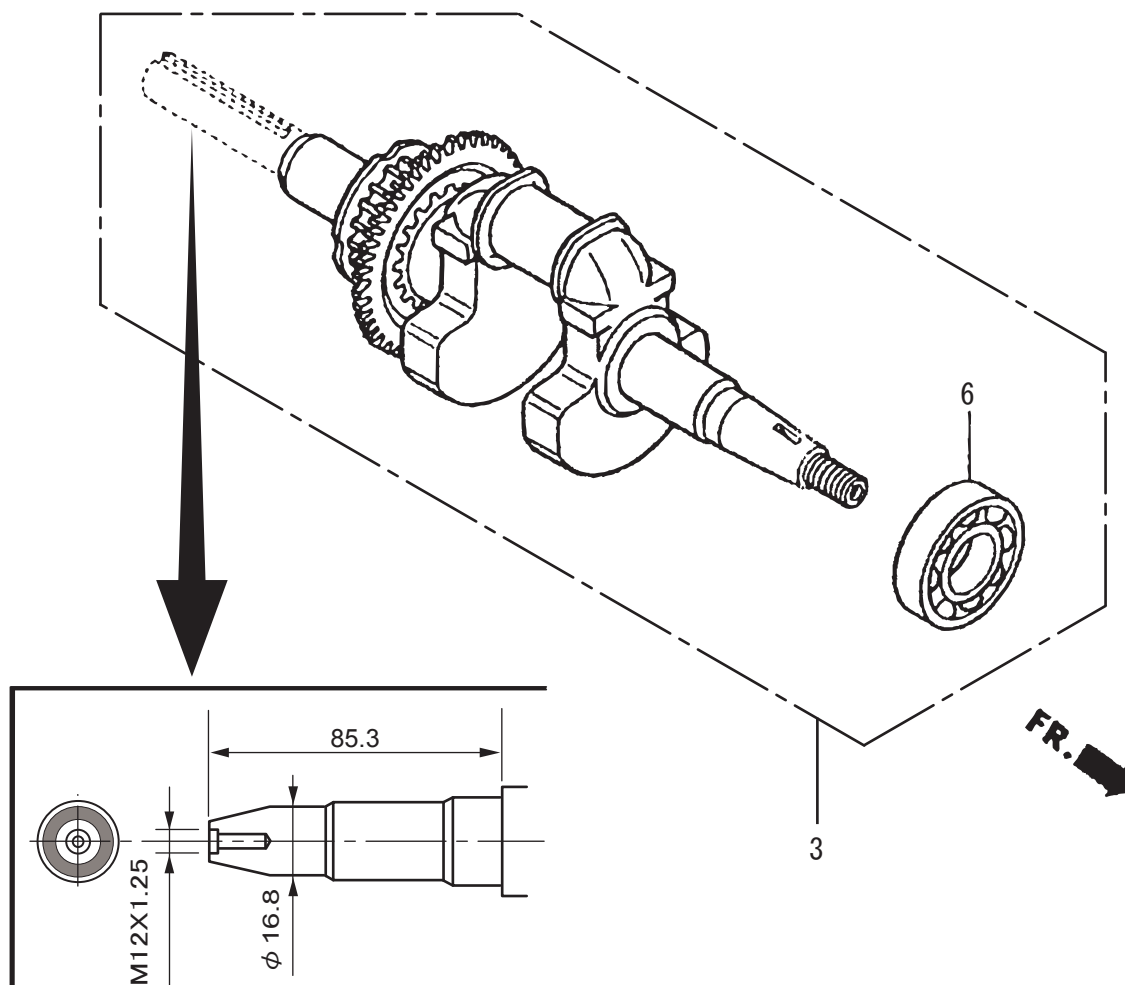


2008/3/19

** BAK **

REF NO.	PART NO.	PART NAME	Q' TY	MRK	MK2	REMARKS
1	11300-Z0D-409	COVER ASSY. , CRANK CASE	1			
3	15600-ZM7-003	OIL FILLER CAP ASSY	1			
4	15625-ZE1-003	PACKING, OIL FILLER CAP	1			
5	16510-ZL8-000	GOVERNOR ASSY.	1			
9	16531-ZE1-000	SLIDER, GOVERNOR	1			
10	16541-Z0D-000	SHAFT, GOVERNOR ARM	1			
11	90121-952-000	FLANGE BOLT 6X25	8			
12	90131-ZE1-000	BOLT, DRAIN PLUG	1			
13	90451-ZE1-000	THRUST WASHER 6MM	1			
14	90601-ZE1-000	WASHER, DRAIN PLUG	1			
15	90602-ZE1-000	CLIP, GOVERNOR HOLDER	1			
16	91202-KJ9-003	OIL SEAL 20X32X6	1			
17	94101-06800	PLAIN WASHER 6MM	2			
18	94251-08000	LOCK PIN 8MM	1			
19	94301-08200	KNOCK PIN 8X20	2			
21	91001-Z0D-V01	BEARING, RADIAL BALL	1			
24	91231-891-003	OIL SEAL 6X11X4	1			

3. CRANK SHAFT

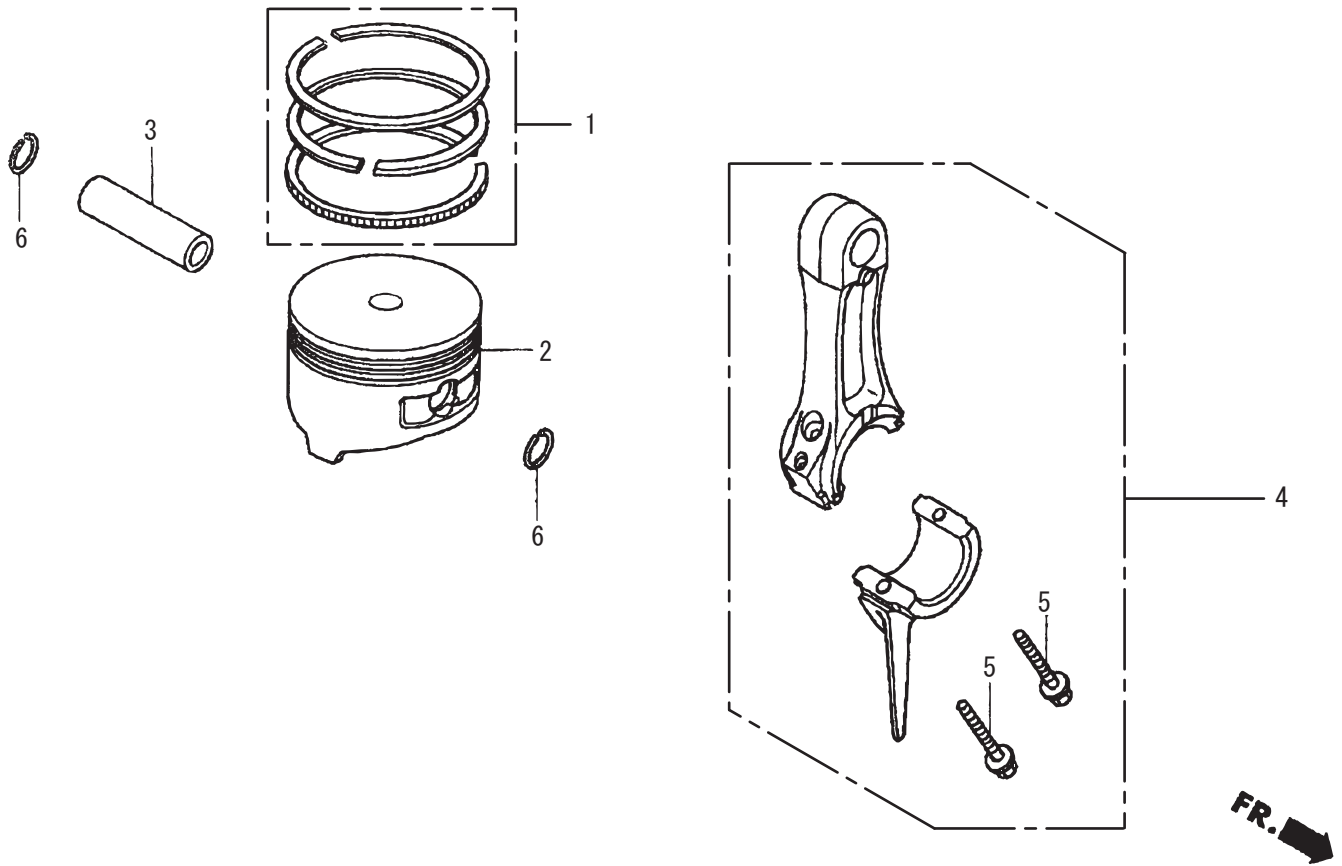


2008/3/19

**** BAL ****

REF NO.	PART NO.	PART NAME	Q' TY	MRK	MK2	REMARKS
3	13310-Z0D-V70	CRANK SHAFT COMP. /GX/MTX	1			
6	91001-Z0D-V01	BEARING, RADIAL BALL	1			

4. PISTON, CONNECTING ROD

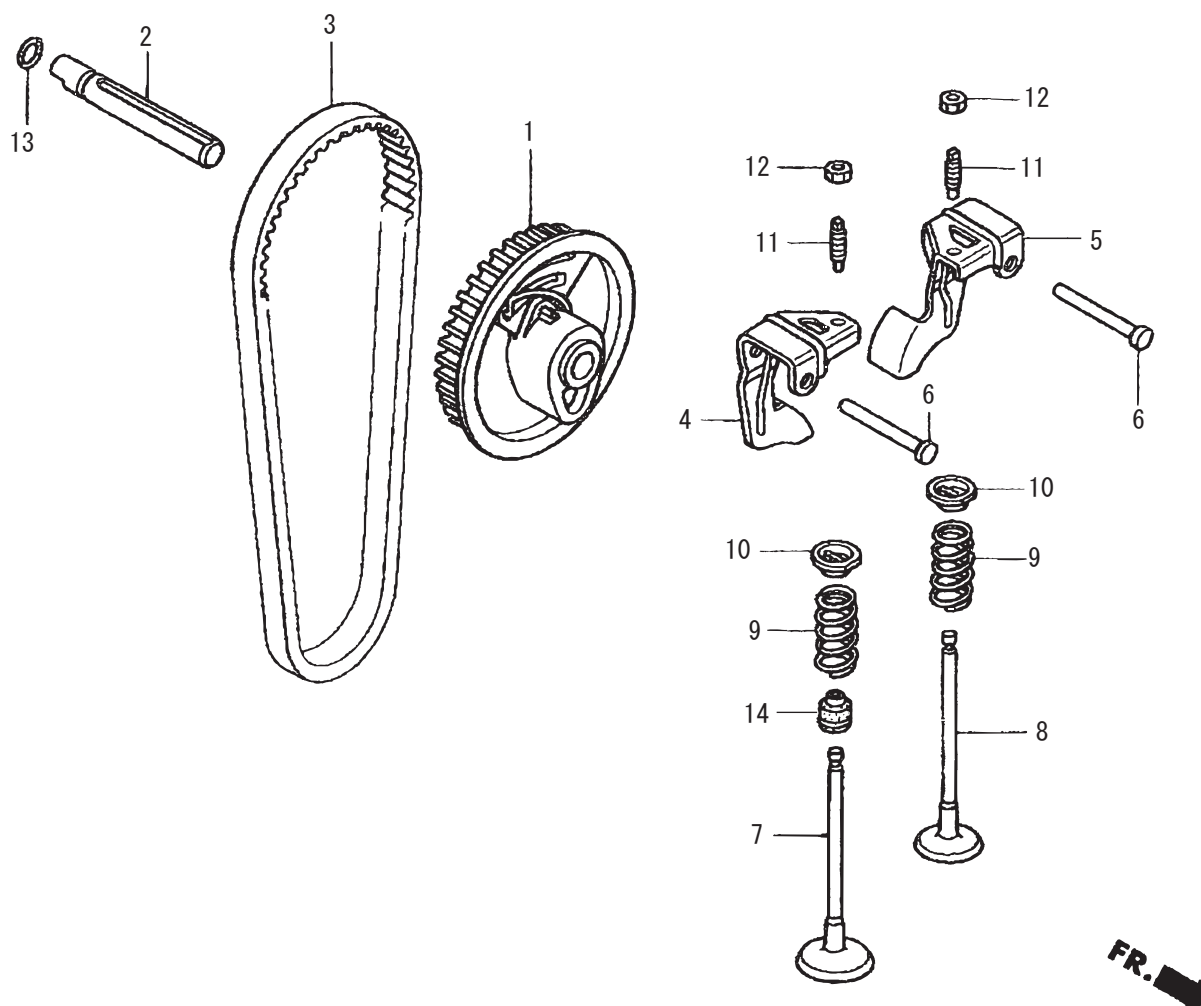


2008/3/19

**** BAM ****

REF NO.	PART NO.	PART NAME	Q' TY	MRK	MK2	REMARKS
1	13010-Z0D-003	RING SET, PISTON	1			
2	13101-Z0D-000	PISTON	1			
3	13111-ZE0-000	PISTON PIN	1			
4	13200-Z0D-000	CONNECTING ROD ASSY.	1			
4	13200-Z0D-305	CONNECTING ROD AY (UNDER)	1			UNDER SIZE
5	90001-ZM7-000	CONNECTING ROD BOLT	2			
6	90551-ZE0-000	CLIP, PISTON PIN 13MM	2			

5. CAMSHAFT

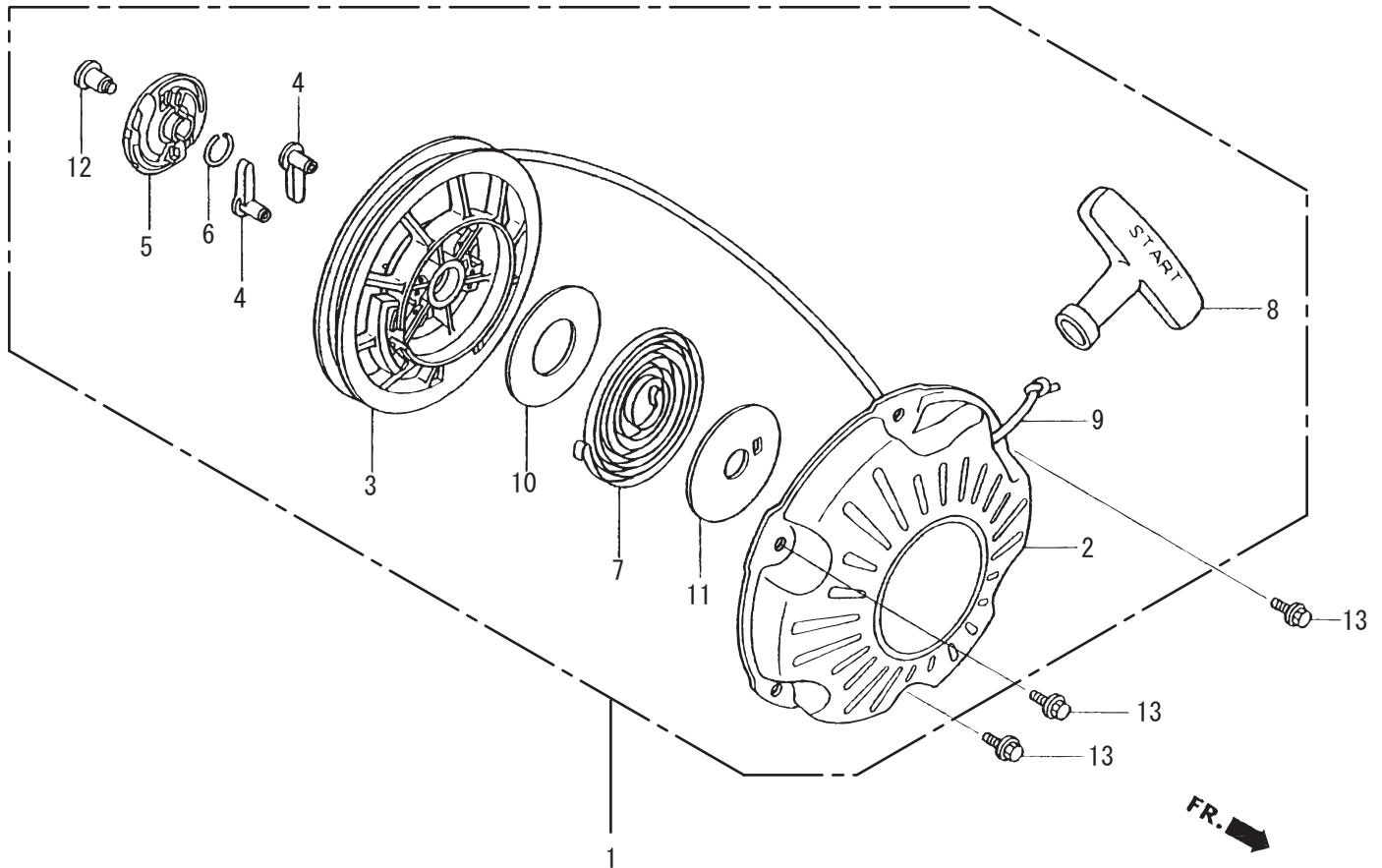


2008/3/19

**** BAN ****

REF NO.	PART NO.	PART NAME	Q' TY	MRK	MK2	REMARKS
9	14751-Z0D-000	SPRING, VALVE	2			
10	14771-ZM3-010	RETAINER, VALVE SPRING	2			
11	90012-333-000	SCREW, . TAPPET ADJUSTING	2			
12	90206-001-000	NUT, . TAPPET ADJUSTING	2			
13	91301-ZM0-V31	O RING 6.8X1.9	1			
14	12209-KT7-013	SEAL, VALVE STEM	1			

6. RECOIL STARTER



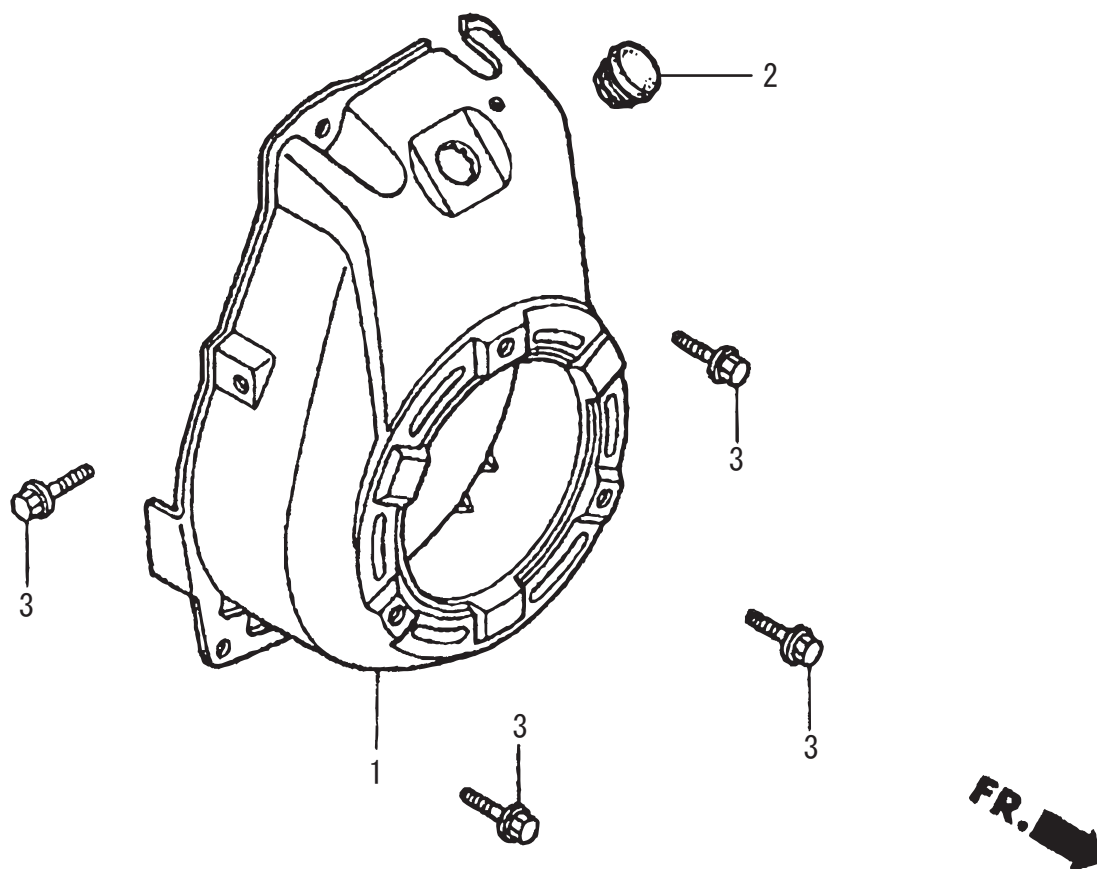
2008/3/19

**** BAO ****

REF NO.	PART NO.	PART NAME	Q' TY	MRK	MK2	REMARKS
1	28400Z0DV03ZA	RECOIL STARTER AY/GX100(B	1			
2	28410Z0DV02ZA	CASE COMP/RECOIL *5-3-5(B	1			
3	28421-Z0D-V02	REEL, RECOIL STARTER	1			
4	28422-ZG0-W02	RATCHET, STARTER	1			
5	28433-ZG0-W02	GUIDE, RATCHET	1			
6	28441-ZW6-003	SPRING, FRICTION	1			
7	28442-ZH8-003	SPRING, RECOIL STARTER	1			
8	28461-ZH8-003	STARTER KNOB	1			
9	28462-Z0D-V03	ROPE, RECOIL STARTER	1			
10	28467-Z0D-V02	PLATE, SIDE	1			
11	28468-Z0D-V02	PLATE, SLIDE	1			
12	90003-ZH8-003	SET SCREW	1			
13	95701-0600800	FLANGE BOLT 6X8	3			

GX100U-KRBF (FOR MTX-65 / 70)
 7. FAN COVER

BAP0

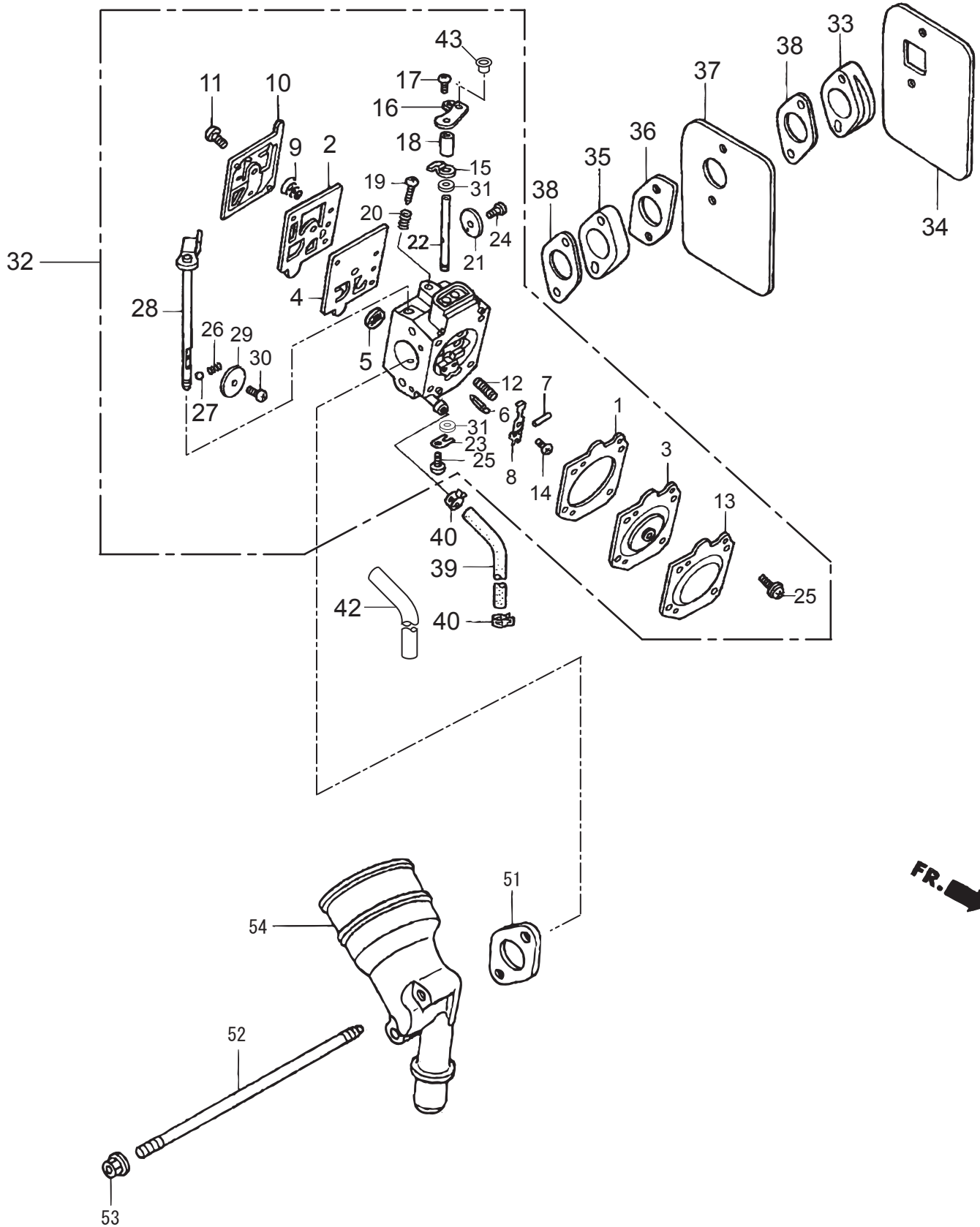


2008/3/19

**** BAP ****

REF NO.	PART NO.	PART NAME	Q' TY	MRK	MK2	REMARKS
1	19610Z0DV00ZB	FAN COVER CP., BL/GX100	1			-1084249
1	19610Z4ES30ZA	FAN COVER CP., BL N/GX100	1			1084250-
2	81329-567-020	GROMMET, DRAIN HOLE	1			
3	90014-952-000	VOLT, FLANGE 6X14(CT200)	4			

8. CARBURETOR

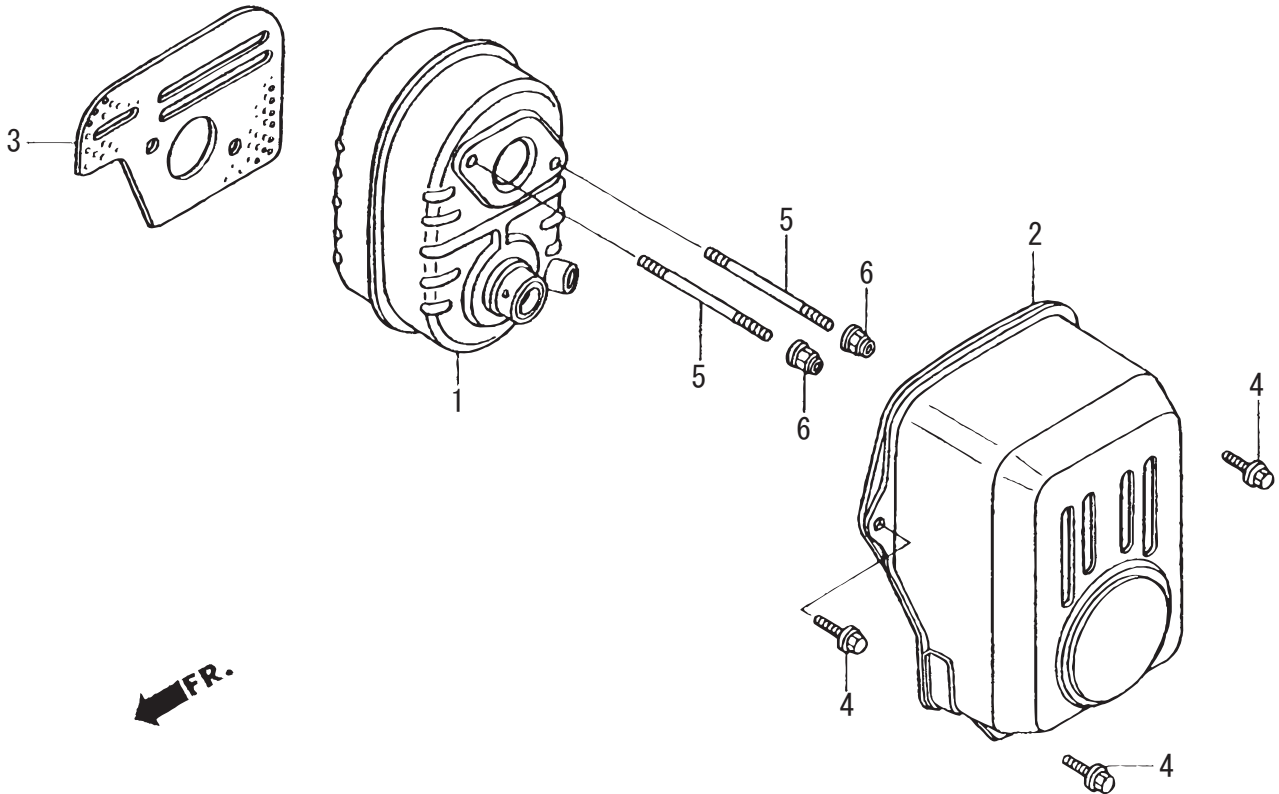


8. CARBURETOR

** BAQ **

REF NO.	PART NO.	PART NAME	Q' TY	MRK	MK2	REMARKS
1	16010-ZOD-V02	GASKET, METALING DIAPHRAGM	1			
2	16011-ZOD-V02	GASKET, PUMP	1			
3	16013-ZOD-V02	DIAPHRAGM AY., METALING	1			
4	16014-ZOD-V02	DIAPHRAGM, PUMP	1			
5	16018-ZM3-004	SCREEN, INLET	1			
6	16019-ZM3-004	VALVE, INLET NEEDLE	1			
7	16022-ZM3-014	PIN, METALING LEVER	1			
8	16023-ZOD-V02	LEVER, METALING	1			
9	16030-ZM3-004	SPRING, PUMP	1			
10	16040-ZOD-V02	COVER, PUMP	1			
11	16041-ZOD-V02	SCREW	1			
12	16042-Z4E-V92	SPRING	1			
13	16043-ZOD-V02	COVER, METALING DIAPHRAGM	1			
14	16044-ZOD-V02	SCREW	1			
15	16045-ZOD-V02	STOPPER, THROTTLE LEVER	1			
16	16046-ZOD-V73	LEVER, THROTTLE/HDA234-	1			
17	16054-ZOD-V02	SCREW, VALVE	1			
18	16048-ZOD-V02	SPACER, THROTTLE LEVER	1			
19	16049-Z4E-S12	SCREW, IDLE ADJUSTING	1			
20	16050-ZOD-V02	SPRING	1			
21	16051-ZOD-V02	VALVE, THROTTLE	1			
22	16052-ZOD-V02	SHAFT, THROTTLE	1			
23	16053-ZOD-V02	CLIP, THROTTLE SHAFT	1			
24	16054-ZOD-V02	SCREW, VALVE	1			
25	16055-ZOD-V02	SCREW ASSY.	5			
26	16056-ZOD-V02	SPRING	1			
27	16057-ZOD-V02	BALL	1			
28	16058-ZOD-V72	SHAFT ASSY, CHOKE	1			
29	16059-ZOD-V03	VALVE, CHOKE	1			
30	16060-ZOD-V02	SCREW	1			
31	16061-ZOD-V02	SEAL, DUST	2			
32	16100-Z4E-S13	CARBURETOR AY	1	DC		-1055285
32	16100-Z4E-S14	CARBURETOR AY/G100UKRBM	1			1055286-
33	16211-ZOD-V00	INSULATOR, CABURETOR	1			
34	16212-ZOD-V00	PACKING, INSULATOR	1			
35	16213-Z4E-S10	INSULATOR, B	1			
36	16214-ZOD-V00	PACKING B, INSULATOR	1			
37	16215-ZOD-V00	PLATE, INSULATOR	1			
38	16221-ZOD-V00	PACKING, CABURETOR	2			
39	95001-4527050	HOSE FUEL 4.5X270 *5-5-2	1			
40	95002-4085008	CLAMP, TUBE	2			
42	950033600110M	TUBE, VINYL 11X13X1M	1			
43	16552-896-650	COLLAR. LEVER	1			
51	17228-ZOD-V01	PACKING, AIR CLEANER/65HA	1			
52	90042-Z4E-S30	BOLT, STUD, 5X95	1			
53	94050-05000	FLANGE NUT 5MM	2			
54	17410-Z4E-S30	ELBOW, AIR CLERNER	1			

9. MUFFLER



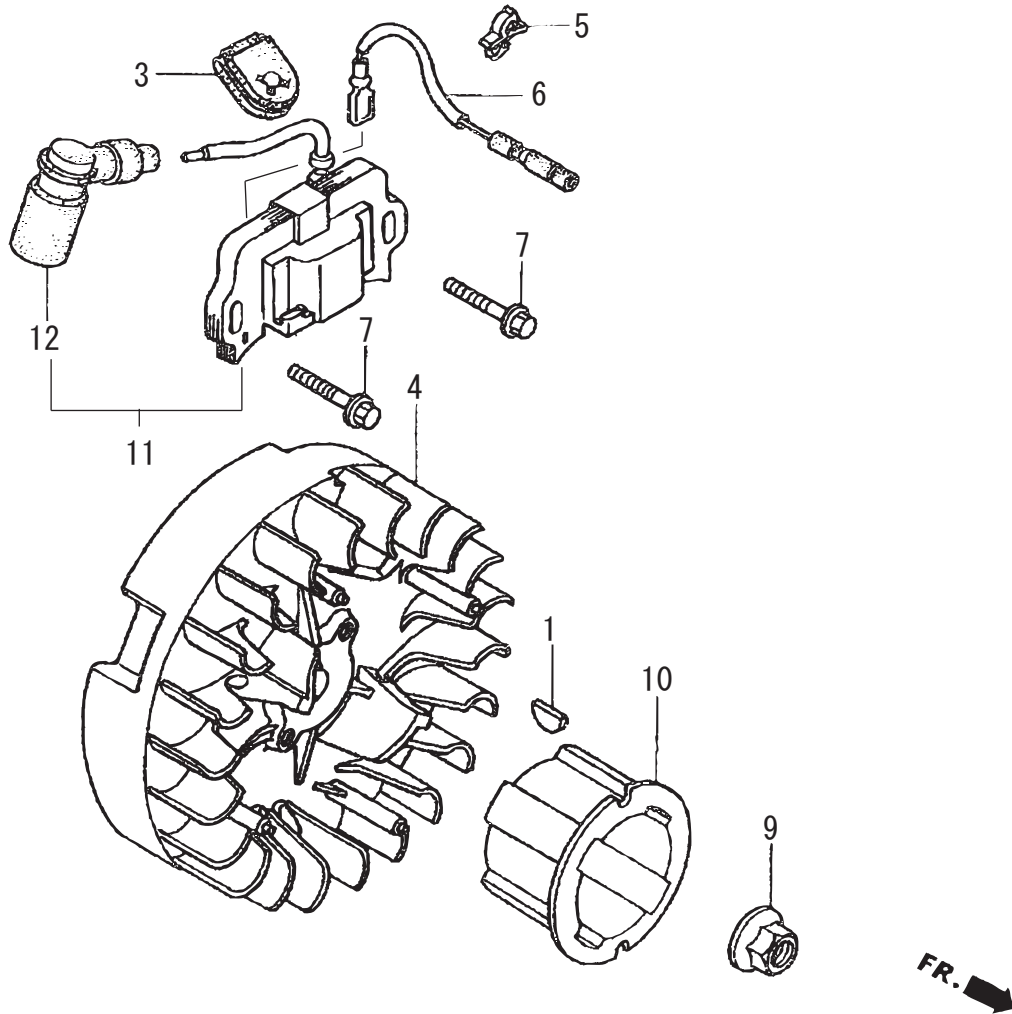
2008/3/19

** BAR **

REF NO.	PART NO.	PART NAME	Q' TY	MRK	MK2	REMARKS
1	18310-ZOD-V20	MUFFLER COMP.	1			
2	18321-ZOD-V21	MUFFLER PROTECTOR	1			
3	18381-ZOD-000	GASKET, MUFFLER	1			
4	90014-952-000	VOLT, FLANGE 6X14 (CT200)	3			
5	90048-ZOD-V00	STUD BOLT 6X78	2			
6	90343-ZE6-000	NUT, SELF-LOCK 6MM	2			

GX100U-KRBF (FOR MTX-65 / 70)
 10. FLYWHEEL , IGNITION

BAS0



2008/3/19

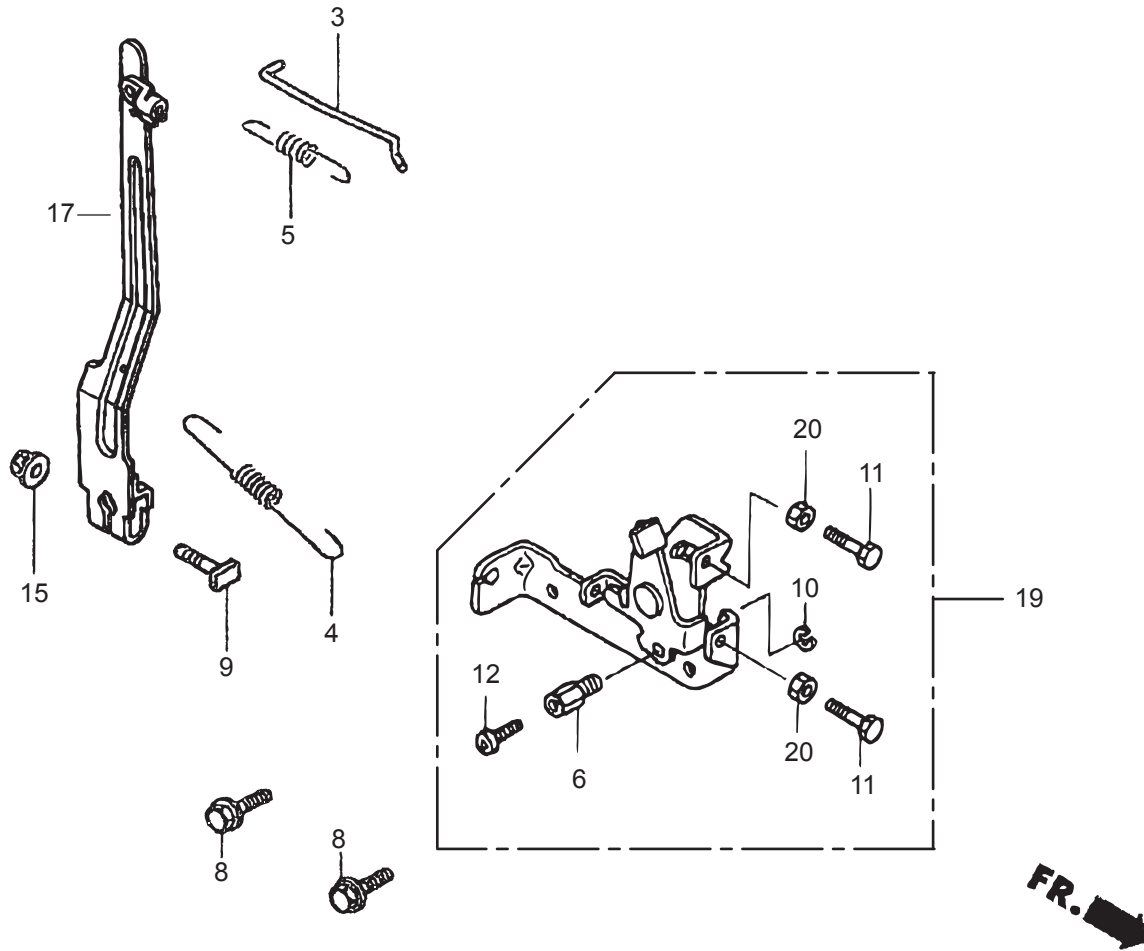
** BAS **

REF NO.	PART NO.	PART NAME	Q' TY	MRK	MK2	REMARKS
1	13331-ZM7-000	WOODRUFF KEY 25X18	1			
3	30564-ZA5-000	GROMMET, CORD	1			
4	31110-ZOD-003	FLYWHEEL COMP.	1			
5	30701-883-000	CLIP, HIGH TENSION CORD	1			
6	32195-ZOD-000	CORD, STOP SWITCH	1			
7	90022-888-010	FLANGE BOLT 6X20	2			
9	94050-12000	FLANGE NUT M12	1			
10	28451-ZOD-V03	STARTER PULLEY	1			
11	30500-ZOD-V02	IGNITION COIL ASSY/GX100	1			
12	30700-ZOD-V01	TERMINAL ASS'Y	1			

GX100U-KRBF (FOR MTX-65 / 70)

BAT0

11. CONTROL



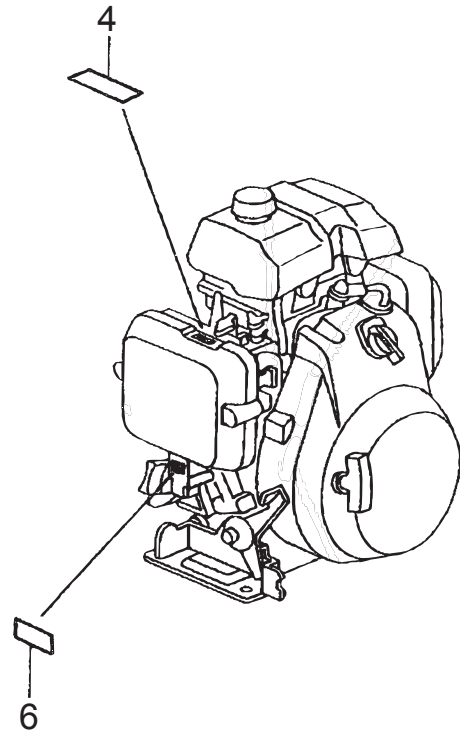
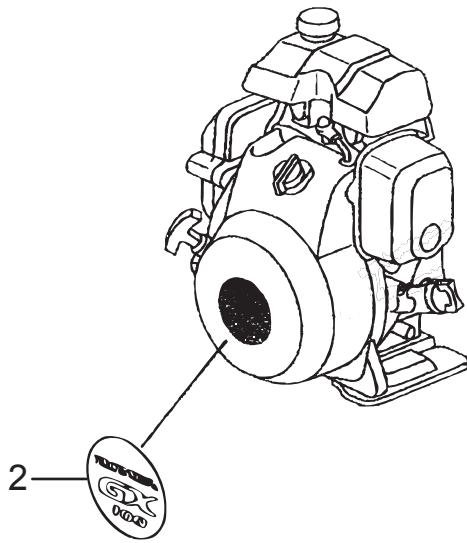
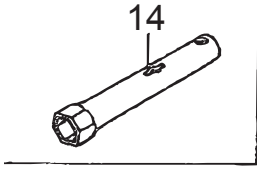
2008/3/19

** BAT **

REF NO.	PART NO.	PART NAME	Q' TY	MRK	MK2	REMARKS
3	16555-Z0D-V00	ROD, GOVERNOR / GX100KRBM	1			
4	16561-Z0D-V00	SPRING, GOVERNOR/GX100KRBM	1			
5	16562-Z4E-S10	SPRING, THROTTLE RETURN	1			
6	16594-883-010	HOLDER, WIRE	1			
8	90014-952-000	VOLT, FLANGE 6X14 (CT200)	2			
9	90015-ZE5-010	BOLT, GOVERNOR ARM	1			
10	90605-230-000	CIR CLIP	1			
11	92301-050200A	BOLT 5X20	2			
12	93500040060H	SCREW 4X6	1			
15	94050-06000	FLANGE NUT 6MM	1			
17	16550-Z0D-V01	ARM COMP., GOVERNOR / KRBM	1			
19	16500-Z4E-S30	CONTROL ASSY, MTX-70	1			
20	94001-05000	NUT M5	2			

GX100U-KRBF (FOR MTX-65 / 70)
 12. LABEL

BAU0



2008/3/19

** BAU **

REF NO.	PART NO.	PART NAME	Q' TY	MRK	MK2	REMARKS
2	87521-Z0D-V02	LABEL, EMBLEM GX100	1			
4	87528-Z0D-000	MARK, CHOKE	1			
6	87601-Z4E-S30	MARK, TYPE (KRBF)	1			
14	89216-130-690	WRENCH, SPARK PLUG	1			



MIKASA SANGYO CO.,LTD.

HEAD OFFICE
NO. 4-3. 1-CHOME, SARUGAKU-CHO, CHIYODA-KU
TOKYO, JAPAN