

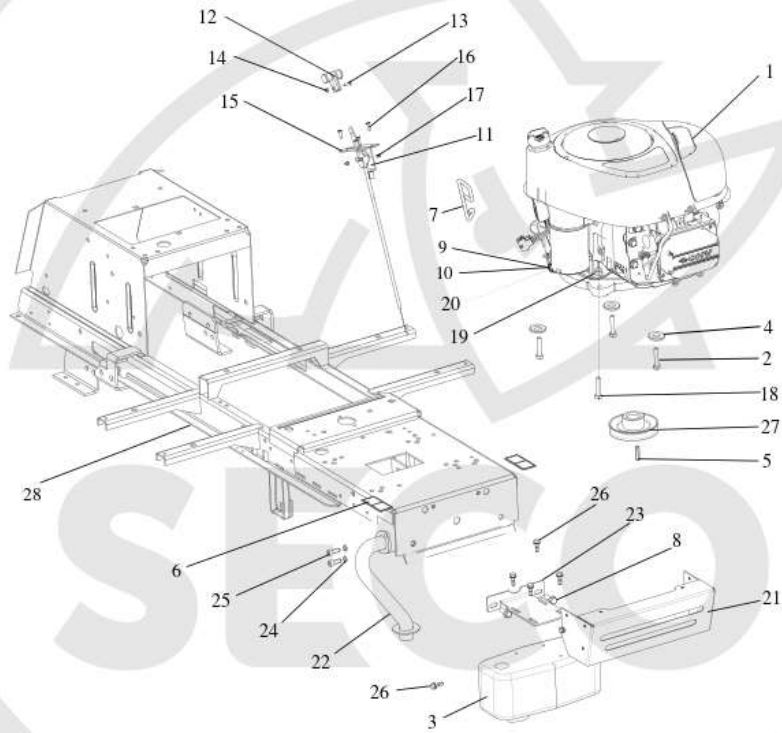
Obrázek není k  
dispozici



Model: **KMJ2P-23-0001**

Group: **KMJ01-23-0001**

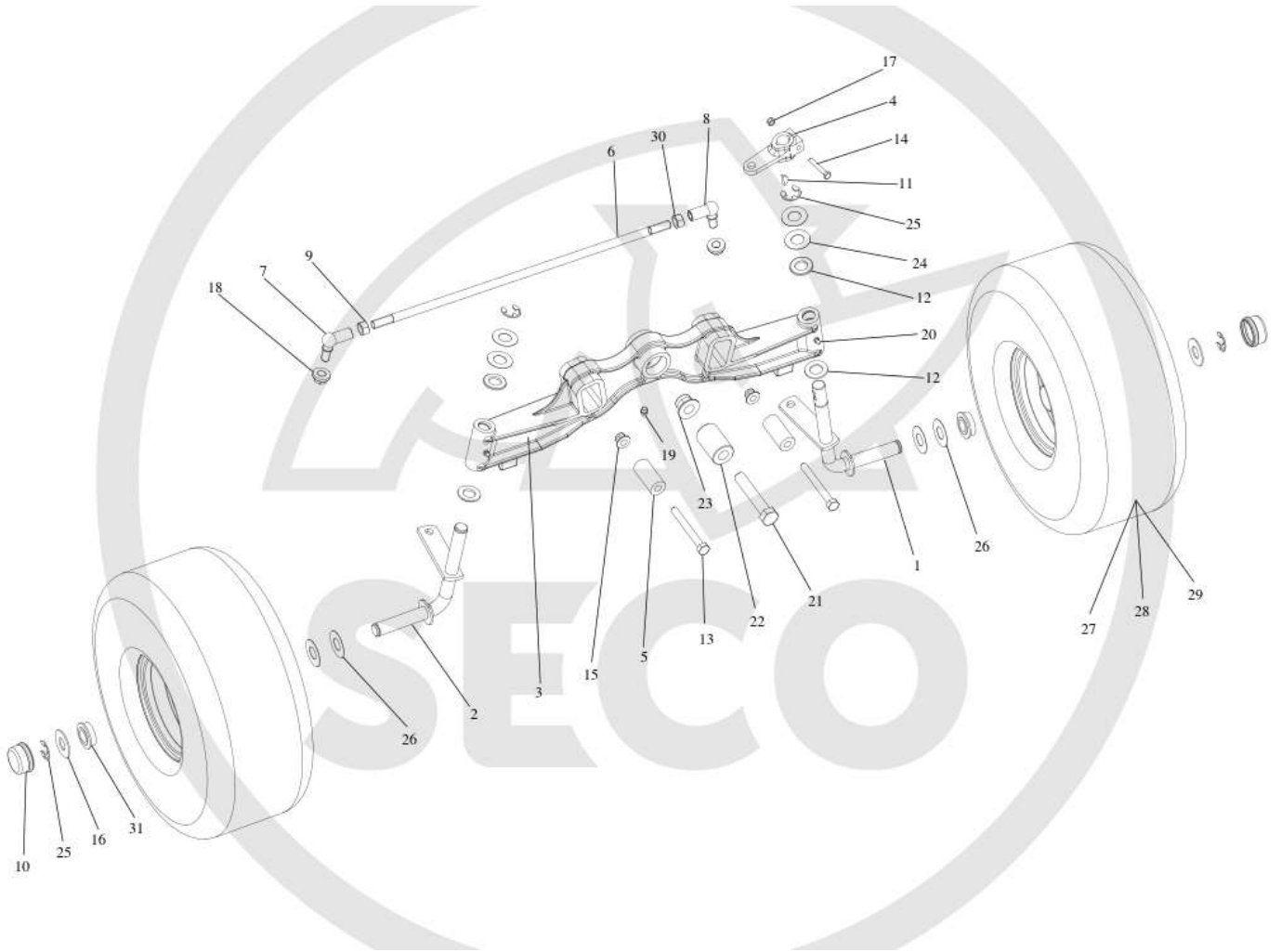
**Engine 16 HP CAIMAN**



ID	Name	Item code	No.	UOM	Price
1	Engine 16HP CAIMAN CGE452	N482349032	1	KS	EUR /
2	Screw 3/8"X 1" hexagon	N309578548	3	KS	EUR /
3	Exhaust Nelson 24772 N	N443900118	1	KS	EUR /
4	Washer 10.5	N311214516	3	KS	EUR /
5	Key 0-9231-213	N311726101	1	KS	EUR /
6	Label 0-8732-337	N283292223	2	KS	EUR /
7	HOOK 0-9242-240	N532980071	1	KS	EUR /
8	Screw M 8x25 DIN 7500 D	N309578540	2	KS	EUR /
9	Hose with cap	N532151253	1	KS	EUR /
10	Reducer to engine	N532151254	1	KS	EUR /
11	Throttle lever 9-8071-225	N443900094	1	KS	EUR /
12	Throttle lever 0-8060-239	N443900138	1	KS	EUR /
13	Screw M 4X14 021131.25	N309231535	1	KS	EUR /
14	Nut M4	N311129514	1	KS	EUR /
15	Reinforcement	S532080302873	1	KS	EUR /
16	Screw M 5X16	N309251515	4	KS	EUR /
17	Nut M5	N311129515	4	KS	EUR /
18	Bolt M5x35	N309503556	1	KS	EUR /
19	Nut M 8 DIN 6926 8 Zinc	N532150290	1	KS	EUR /
20	Hose clip 9W1 16-25 EURO	N548241028	1	KS	EUR /
21	Exhaust cover AJ V1	S532085422153	1	KS	EUR /
22	Exhaust pipe 16HP	S532927402123	1	KS	EUR /
23	Holder	S532113405013	1	KS	EUR /
24	Washer 8	N311214502	3	KS	EUR /
25	Screw vyf.imbus 5/16x3/4 Unc Zinc	N309579502	3	KS	EUR /
26	SCREW M 6X16 DIN 7500D BN 3326	N309578517	8	KS	EUR /
27	Engine pulley 9-3325-202 K62	N532151375	1	KS	EUR /
28	Chassis compl. MJ	S532912962883	1	KS	EUR /

Model: **KMJ2P-23-0001**  
Group: **KMJ03-18-0001**

**Front axle**

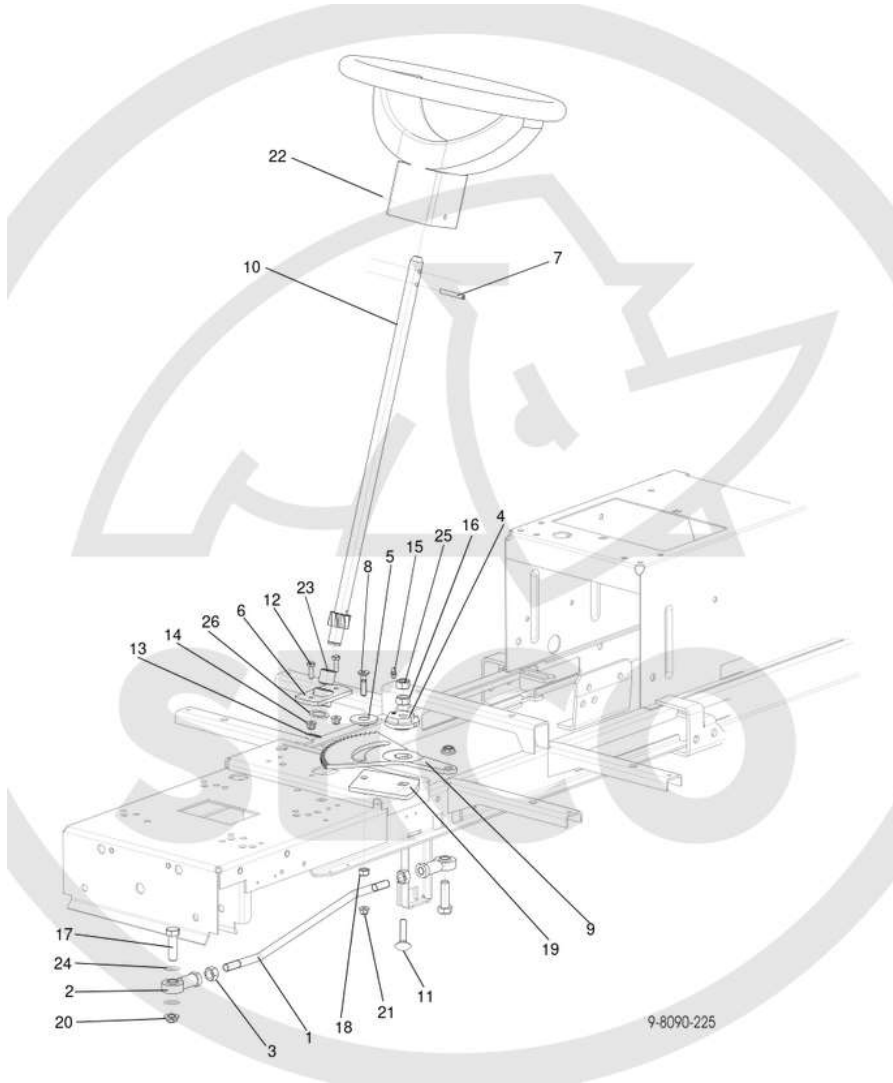


ID	Name	Item code	No.	UOM	Price
1	Pin left MJ102	S532916432083	1	KS	EUR /
2	Pin right MJ102	S532916432093	1	KS	EUR /
3	Axle	S532016542083	1	KS	EUR /
4	Lever	S532080503603	1	KS	EUR /
5	Spacer	S532195203533	2	KS	EUR /
6	Connecting rod 0-9010-572	N532151336	1	KS	EUR /
7	Angular joint 16 R DIN71802CS M12	N442073020	1	KS	EUR /
8	Angular joint 16 L DIN71802CS M12	N442073019	1	KS	EUR /
9	Nut M12 left	N311120539	1	KS	EUR /
10	Cover 0-8025-237	N532150915	2	KS	EUR /
11	Woodruff key 5e7X7.5	N311728003	1	KS	EUR /
12	Washer 19	N311210514	4	KS	EUR /
13	Screw M 10X80	N309501527	2	KS	EUR /
14	Screw M 6X40	N309203524	1	KS	EUR /
15	Nut M 10 DIN 6926 Zinc	N311129523	2	KS	EUR /
16	Washer	S532092208363	2	KS	EUR /
17	Nut M 6	N311129513	1	KS	EUR /
18	Nut M 12 DIN 6923 8 Zinc. toothed	N311129521	2	KS	EUR /
19	Lubricating head MK 8x1	N425111016	1	KS	EUR /
20	Lubricating head MK 6x1	N425111004	2	KS	EUR /
21	Screw M 8x90	N309501524	1	KS	EUR /
22	Pin	S532093202793	1	KS	EUR /
23	Nut M 16 DIN 6926	N311129527	1	KS	EUR /
24	Washer	S532092208383	4	KS	EUR /
25	Lock ring E-75 3/4	N311732023	4	KS	EUR /
26	Washer	S532092208153	6	KS	EUR /
27	Wheel front 15x6.00-6 CHEVRON	N532940171	2	KS	EUR /
28	Wheel disc front 4.50AX6H2 OTR	N325111026	2	KS	EUR /
29	Tyre front 15x6.00-6 Chevron	N274161029	2	KS	EUR /
30	Nut M 12	N311120504	1	KS	EUR /
31	Front wheel bearing 3/4 Compensa	N324196019	4	KS	EUR /

Model: KMJ2P-23-0001

Group: KAJ05-22-0001

Steering

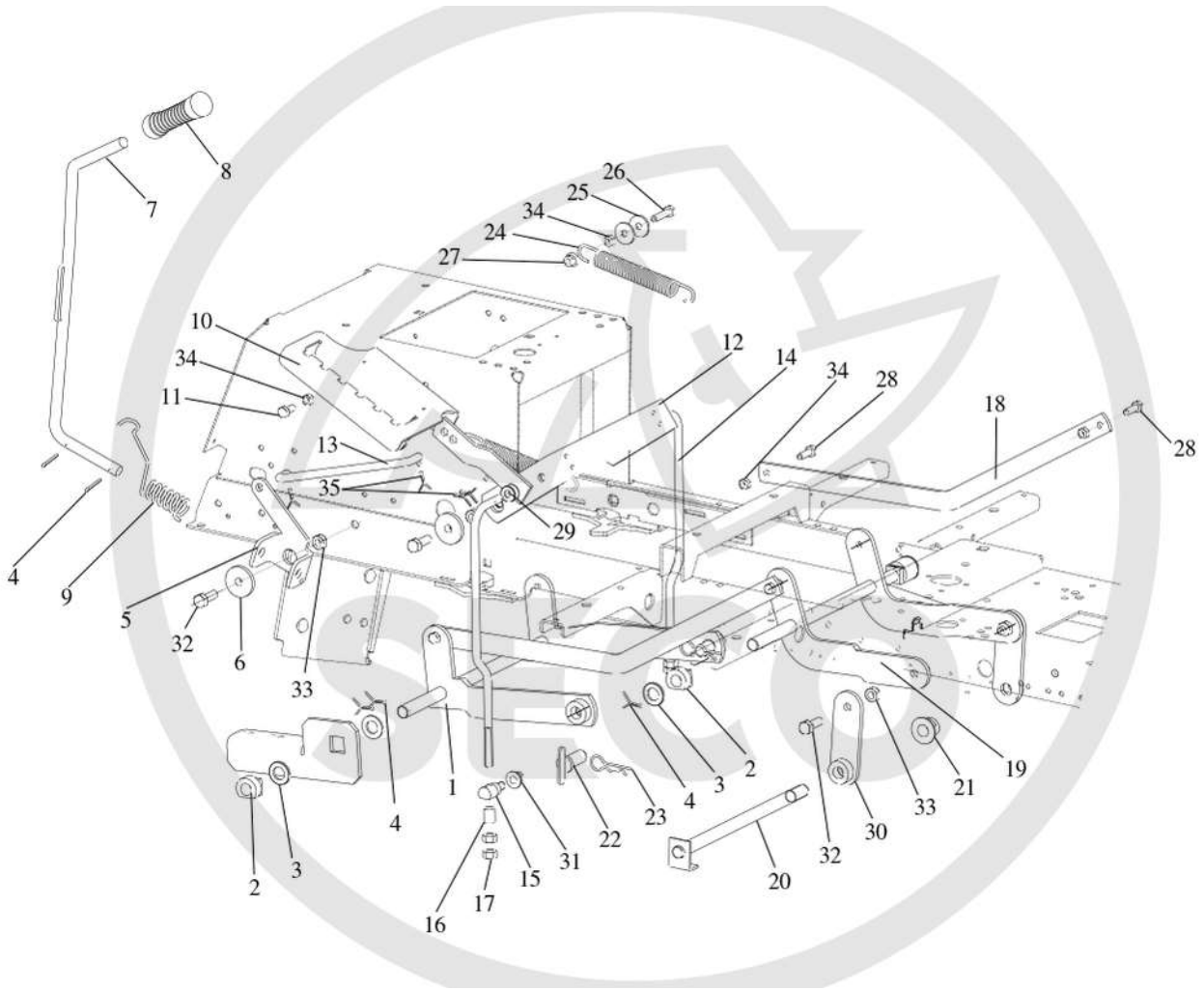


ID	Name	Item code	No.	UOM	Price
1	Steering rod 0-8041-338	N532151347	1	KS	EUR /
2	Joint head PHS 12 CN	N442073028	2	KS	EUR /
3	Nut M 12	N311150505	2	KS	EUR /
4	Eccentric	S532080272033	1	KS	EUR /
5	Spacer	S532195202593	1	KS	EUR /
6	Bearing	S532938542093	1	KS	EUR /
7	Spring pin 6x45	N315238031	1	KS	EUR /
8	Screw M 8x35 DIN 7991 10.9 Zinc	N309578534	1	KS	EUR /
9	Toothed Segment	S532033322433	1	KS	EUR /
10	Pinion compl. AJ92	S532930252123	1	KS	EUR /
11	Screw M 12X55.8.8 A3L ISO 8677	N309019522	1	KS	EUR /
12	Screw M 6X20	N309503548	2	KS	EUR /
13	Lock ring 19	N311733607	1	KS	EUR /
14	Nut M 6 DIN 6926	N311129525	2	KS	EUR /
15	Lubricating head MK 6x1	N425111004	1	KS	EUR /
16	Nut M 12	N311150505	1	KS	EUR /
17	Screw M12X40	N309503505	2	KS	EUR /
18	Nut M 8	N311150503	1	KS	EUR /
19	WASHER	S532113326273	1	KS	EUR /
20	Nut M 12 DIN 6923 8 Zinc. toothed	N311129521	2	KS	EUR /
21	Nut M8 DIN 6923 8 Zinc. toothed	N311129520	1	KS	EUR /
22	Steering wheel Cobo 0032 0381	N443821006	1	KS	EUR /
23	Bushing 1920 KU	N323721002	1	KS	EUR /
24	Washer 12	N311214504	2	KS	EUR /
25	Nut M 12	N311129505	1	KS	EUR /
26	Washer	S532092202053	1	KS	EUR /

Model: KMJ2P-23-0001

Group: KMJ06-18-0001

Mowing unit lifting

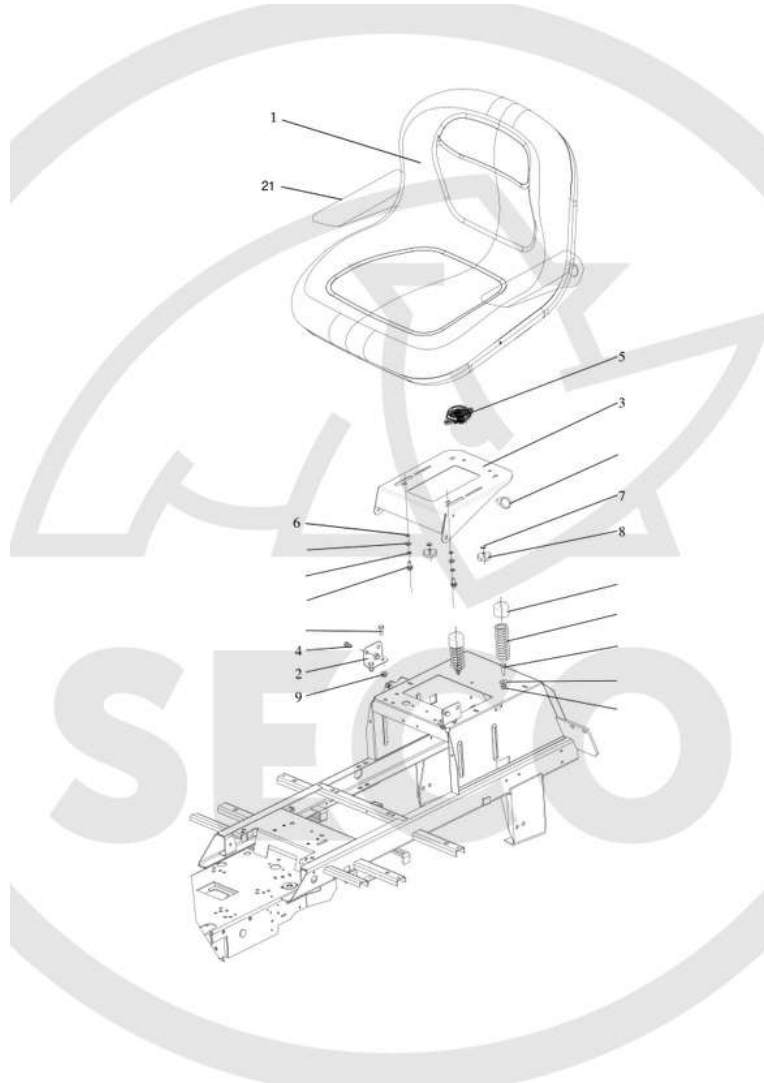




ID	Name	Item code	No.	UOM	Price
1	Lifting arms	S532980508243	1	KS	EUR /
2	Bushing 0-9462-202	N722643023	4	KS	EUR /
3	Washer 17	N311210507	8	KS	EUR /
4	Spindle 3.2x25	N311338517	6	KS	EUR /
5	Lever holder	S532113415563	1	KS	EUR /
6	WASHER	S532092212293	3	KS	EUR /
7	Lifting lever	S532980412173	1	KS	EUR /
8	Handrail 0-8832-202	N532151357	1	KS	EUR /
9	Spring 0-9746-504 lifting	N315231265	1	KS	EUR /
1	Lifting segment	S532113425333	1	KS	EUR /
11	Screw M8X20	N309503518	2	KS	EUR /
12	Lifting holder	S532913413293	1	KS	EUR /
13	Lifting rod 0-8041-324	N532151192	1	KS	EUR /
14	Lift rod 0-8042-203 MJ	N532151618	2	KS	EUR /
15	Pin	S532090162083	2	KS	EUR /
16	Spacer	S532095213823	2	KS	EUR /
17	Nut M 10	N311150506	4	KS	EUR /
18	Lift rod MJ	S532080322043	2	KS	EUR /
19	Lifting arm MJ	S532980502043	1	KS	EUR /
20	Shaft	S532938122533	1	KS	EUR /
21	Nut M 16 DIN 6926	N311129527	1	KS	EUR /
22	Pin complete	S532993462343	2	KS	EUR /
23	Flexible spindle 0-9245-999	N315238003	2	KS	EUR /
24	Spring 0-9746-460	N315231193	2	KS	EUR /
25	Washer 9 Zinc	N311212517	4	KS	EUR /
26	Screw M 8X30	N309503515	1	KS	EUR /
27	Nut M 8 DIN 6926 8 Zinc	N532150290	2	KS	EUR /
28	Screw M 8X25	N309503512	4	KS	EUR /
29	Washer 10.5	N311210504	4	KS	EUR /
30	Lifting arm	S532980322193	2	KS	EUR /
31	Nut M 10 DIN 6926 Zinc	N311129523	2	KS	EUR /
32	Screw M 10X30	N309503510	5	KS	EUR /
33	Nut M 10	N311129502	5	KS	EUR /
34	Nut M 8	N311129501	8	KS	EUR /
35	Spindle 3.2x20	N311338516	6	KS	EUR /

Model: KMJ2P-23-0001  
Group: KAJ11-22-0002

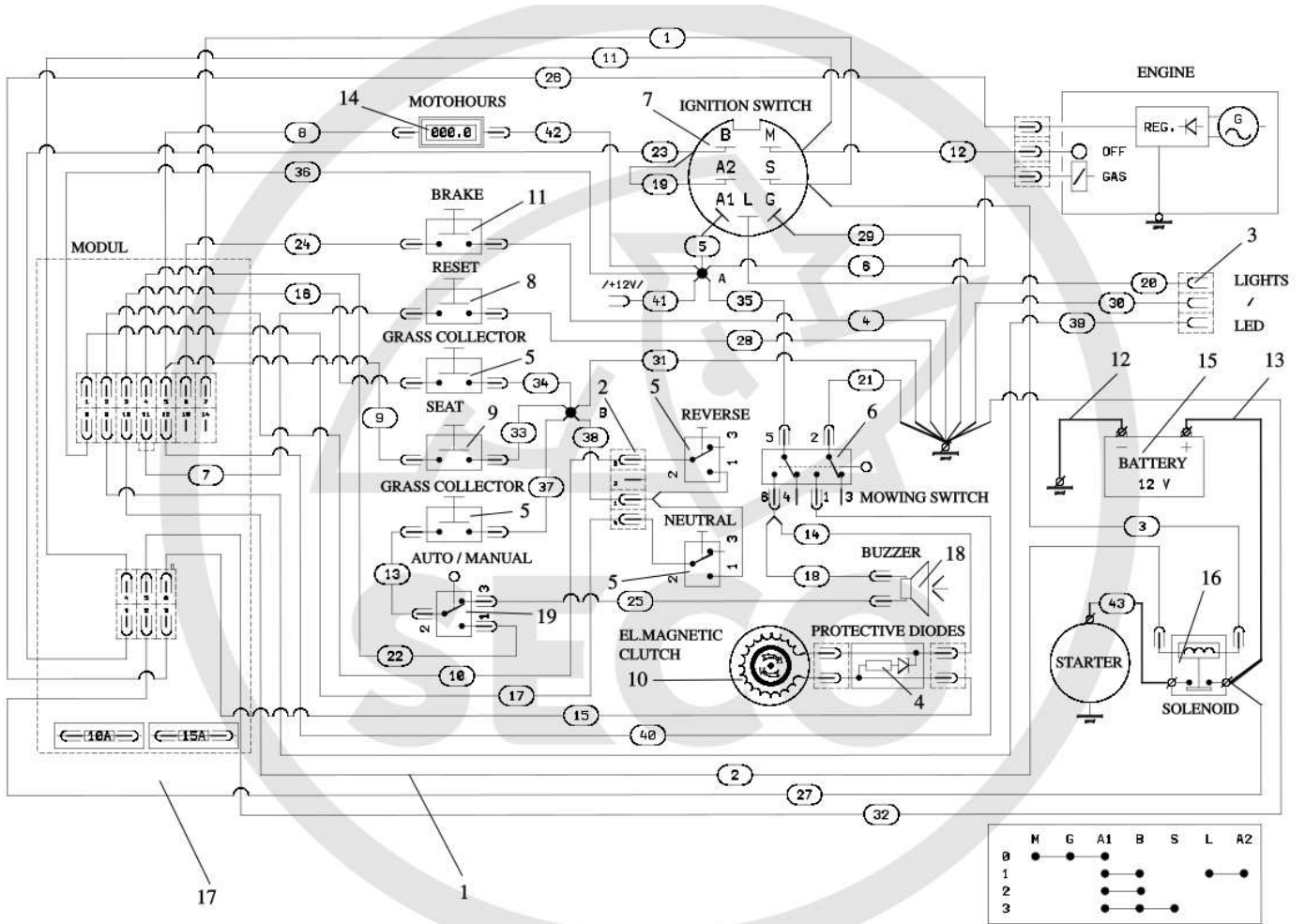
Seat



ID	Name	Item code	No.	UOM	Price
1	Seat SP 480 Milsco	N532150988	1	KS	EUR /
2	Carrier holder	S532113402403B	2	KS	EUR /
3	Seat carrier	S532018472433	1	KS	EUR /
4	Carrier screw 0-9016-427	N309599012	2	KS	EUR /
5	Seat switch DELTA 6500-02	N532150990	1	KS	EUR /
6	Washer BN 739 8X12X2	N311219002	2	KS	EUR /
7	Washer 8.4 Zink	N311213503	2	KS	EUR /
8	Stopping nut M8x18 PR.40 black	N532150213	2	KS	EUR /
9	Nut M 8 DIN 6926 8 Zinc	N532150290	6	KS	EUR /
10	Washer 8.4	N311210503	2	KS	EUR /
11	Washer 8	N311214502	2	KS	EUR /
12	Cover 38/A PVC Black	N532150208	2	KS	EUR /
13	Screw M 8X25	N309503512	2	KS	EUR /
14	Washer 9 Zinc	N311212517	4	KS	EUR /
15	Spring 0-9746-441	N315231274	2	KS	EUR /
16	Nut M 8	N311129501	2	KS	EUR /
17	Screw M 8X25 DIN 6921 8.8 Zinc	N309578011	4	KS	EUR /
18	Clip WSBH 1-0-1	N532150211	1	KS	EUR /
19	Not used in this performance	NK00000000	1	KS	EUR /
20	Screw M 8x25 DIN 7500 D	N309578540	2	KS	EUR /
21	Arm rests C 7494 BS	N532150989	1	SD	EUR /

Model: **KMJ2P-23-0001**  
 Group: **KUJ13-21-0001**

## Electrical installation

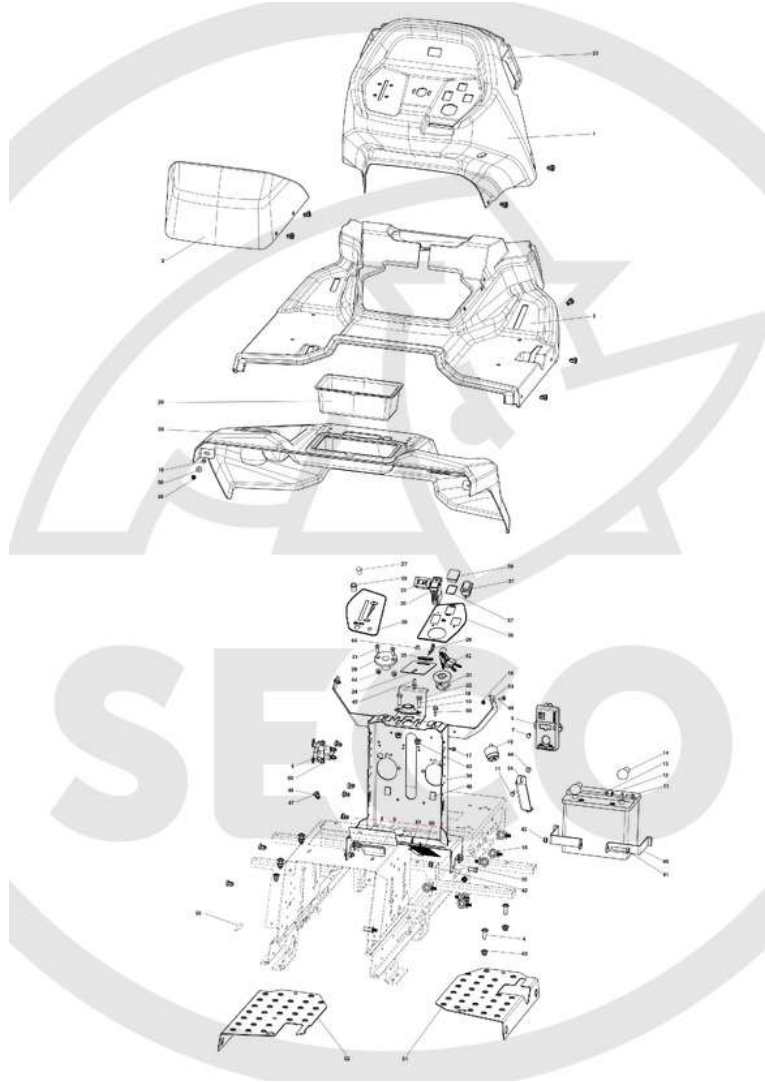


ID	Name	Item code	No.	UOM	Price
1	Wiring harness KS 004067	N341271186	1	KS	EUR /
2	Switches harness KS 004081	N341271193	1	KS	EUR /
3	Lights connection KS004137 1to1	N341271222	1	KS	EUR /
4	Protective diodes harness 9-8316-	N341271052	1	KS	EUR /
5	Microswitch MKH 12 D 13-S1	N345359004	4	KS	EUR /
6	Switch VDD2S001 9ZZCR 100	N345329023	1	KS	EUR /
7	Switch box Delta 6900-47 P	N443861007	1	KS	EUR /
8	Switch 1932.3413	N345329025	1	KS	EUR /
9	Seat switch DELTA 6500-02	N532150990	1	KS	EUR /
10	Elmag. clutch I-5217-38	N532151196	1	KS	EUR /
11	Seat switch Delta 6440-04	N000532079	1	KS	EUR /
12	Cable 9-8316-570	N341271021	1	KS	EUR /
13	Cable 9-8316-624 solenoid+battery	N341271172	1	KS	EUR /
14	Hour-meter SEN DEC DIGITAL	N443433003	1	KS	EUR /
15	Battery 12V-24Ah dry,charged	N346211006	1	KS	EUR /
16	Solenoid Trombetta 764-1221-210	N532151619	1	KS	EUR /
17	Module KS 004062 AJ06/14	N341271187	1	KS	EUR /
18	Buzzer PF 27 A 29 EP	N443312021	1	KS	EUR /
19	Not used in this performance	NK00000000	1	KS	EUR /

Model: KMJ2P-23-0001

Group: KAJ15-23-0001

Dashboard



ID	Name	Item code	No.	UOM	Price
1	Dash-board 0-8048-358 1to1 excl.	N532151838	1	KS	EUR /
2	Battery cover 0-8547-261	N532151839	1	KS	EUR /
3	Dash-board 0-8048-358 1to1 excl.	N532151840	1	KS	EUR /
4	Screw M 8x25 ISO 7380-2	N309578565	4	KS	EUR /
5	Module KS 004062 AJ06/14	N341271187	1	KS	EUR /
6	Solenoid Trombetta 764-1221-210	N532151619	1	KS	EUR /
7	Rivet 282702	N532151116	2	KS	EUR /
8	Label 0-8732-336	N283292228	1	KS	EUR /
9	Label 0-8732-220 slope 12	N283293023	1	KS	EUR /
10	Ball BEARING FL M12	N324196022	1	KS	EUR /
11	Screw M 6X20	N309503548	4	KS	EUR /
12	Washer 6.4	N311210502	2	KS	EUR /
13	Nut M 6	N311129513	2	KS	EUR /
14	Cover 273 125 020 050	N273125006	2	KS	EUR /
15	Clip WSBH 1-0-1	N532150211	9	KS	EUR /
16	Screw M 8X25	N309503512	2	KS	EUR /
17	Screw M 5x12 DIN 7500D BN3326	N309578544	1	KS	EUR /
18	Nut M 5 DIN 6926 Zinc	N311129524	4	KS	EUR /
19	Buzzer PF 27 A 29 EP	N443312021	1	KS	EUR /
20	Steering wheel bushing 0-1652-226	N321841069	1	KS	EUR /
21	Screw M 6X25 DIN7991 10.9 Zinc	N309578503	2	KS	EUR /
22	HOLDER	S532113415583	1	KS	EUR /
23	Backstop rubber 15509-8	N273192066	2	KS	EUR /
24	Holder	S532113404693	1	KS	EUR /
25	Rubber sleeve 22X2	N273121027	1	KS	EUR /
26	Flexible spindle 0-9245-233	N315238005	1	KS	EUR /
27	Blind flange BS 11/15 black	N321841082	1	KS	EUR /
28	Not used in this performance	NK00000000	1	KS	EUR /
29	Case 0-8642-236	N532151194	1	KS	EUR /
30	Switch VDD2S001 9ZZCR 100	N345329023	1	KS	EUR /
31	Switch box Delta 6900-47 P	N443861007	1	KS	EUR /
32	Starting key DELTA 688P-001	N443900137	1	SD	EUR /
33	Hour-meter SEN DEC DIGITAL	N443433003	1	KS	EUR /
34	Column	S532016422283	1	KS	EUR /
35	Screw M 8X16	N309503517	4	KS	EUR /
36	SAM. NÁL. 1-8732-938 DESIGN 2021	N283293698	1	KS	EUR /
37	Switch 1932.3413	N345329025	1	KS	EUR /
38	SAM. NÁL. 1-8732-980 DESIGN2021 L	N283293726	1	KS	EUR /
39	Light indicator KS004074	N443312023	1	KS	EUR /
40	BATTERY HOLDER	S532113425353	2	KS	EUR /
41	Screw M8x45	N309503559	1	KS	EUR /
42	Nut M 8	N311129501	5	KS	EUR /
43	Nut M 8 DIN 6926 8 Zinc	N532150290	6	KS	EUR /

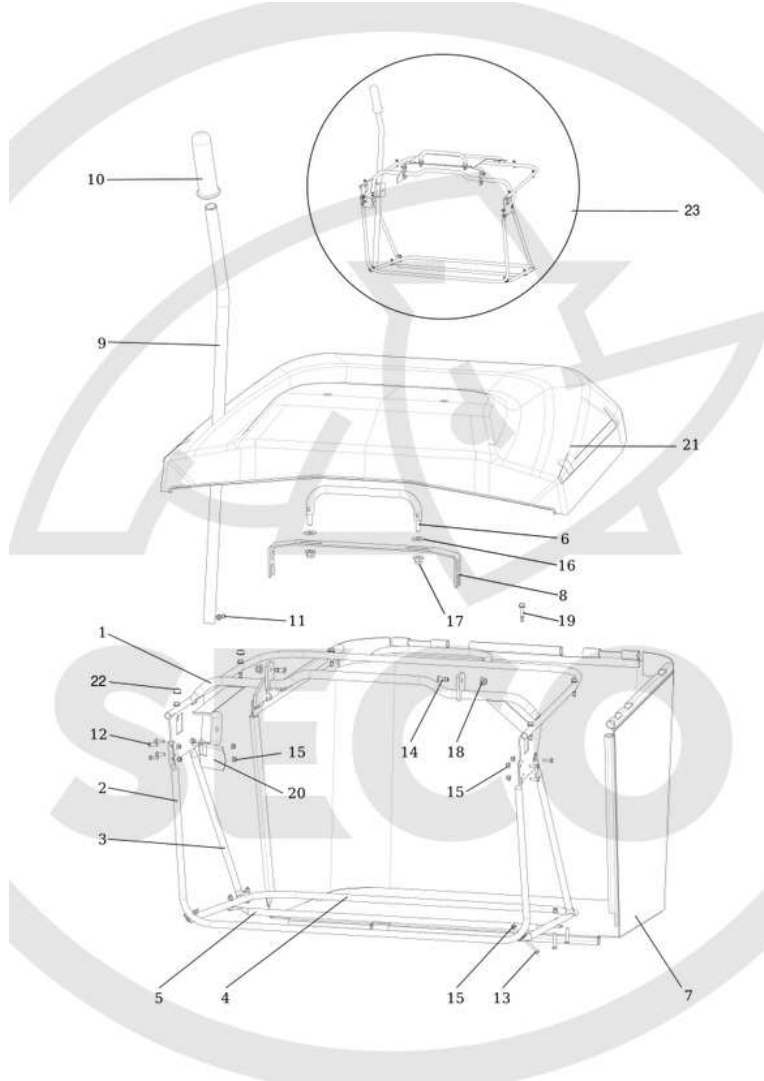
44	Nut M 6 DIN 6926	N311129525	5 KS	EUR /
45	Screw M6X16	N309503508	1 KS	EUR /
46	Seating D7-201-802-010	N532150903	8 KS	EUR /
47	Pin D7-201-711-010	N532150904	8 KS	EUR /
48	Blind flange G 20X15 (europlast)	N321841093	2 KS	EUR /
49	Screw M 5x16 ISO 7380 8.8	N309578532	4 KS	EUR /
50	Screw M 6x12 DIN 7500 BN 3326	N309578546	4 KS	EUR /
51	Footboard reinforcement R 2021	S532015402233	1 KS	EUR /
52	Footboard reinforcement L 2021	S532015402243	1 KS	EUR /
53	Dashboard holder design 2021	S532113422323	1 KS	EUR /
54	Column holder	S532113422193	1 KS	EUR /
55	Tie RT 360 /L=150/	N532150207	4 KS	EUR /
56	Blind flange VL 35X25X1-3 black	N321841085	1 KS	EUR /
57	Ring 26x2	N273111038	1 KS	EUR /
58	Washer 5.3	N311212511	2 KS	EUR /
59	Double fender 9-1847-326 1to1	N532151841	1 KS	EUR /
60	Brush cover 9-9636-204	N616100016	1 KS	EUR /
61	Rivet slide-in PH4 D 6.5	N532151003	2 KS	EUR /



Model:  
Group:

KMJ2P-23-0001  
KAJ16-23-0003

Grasscollector

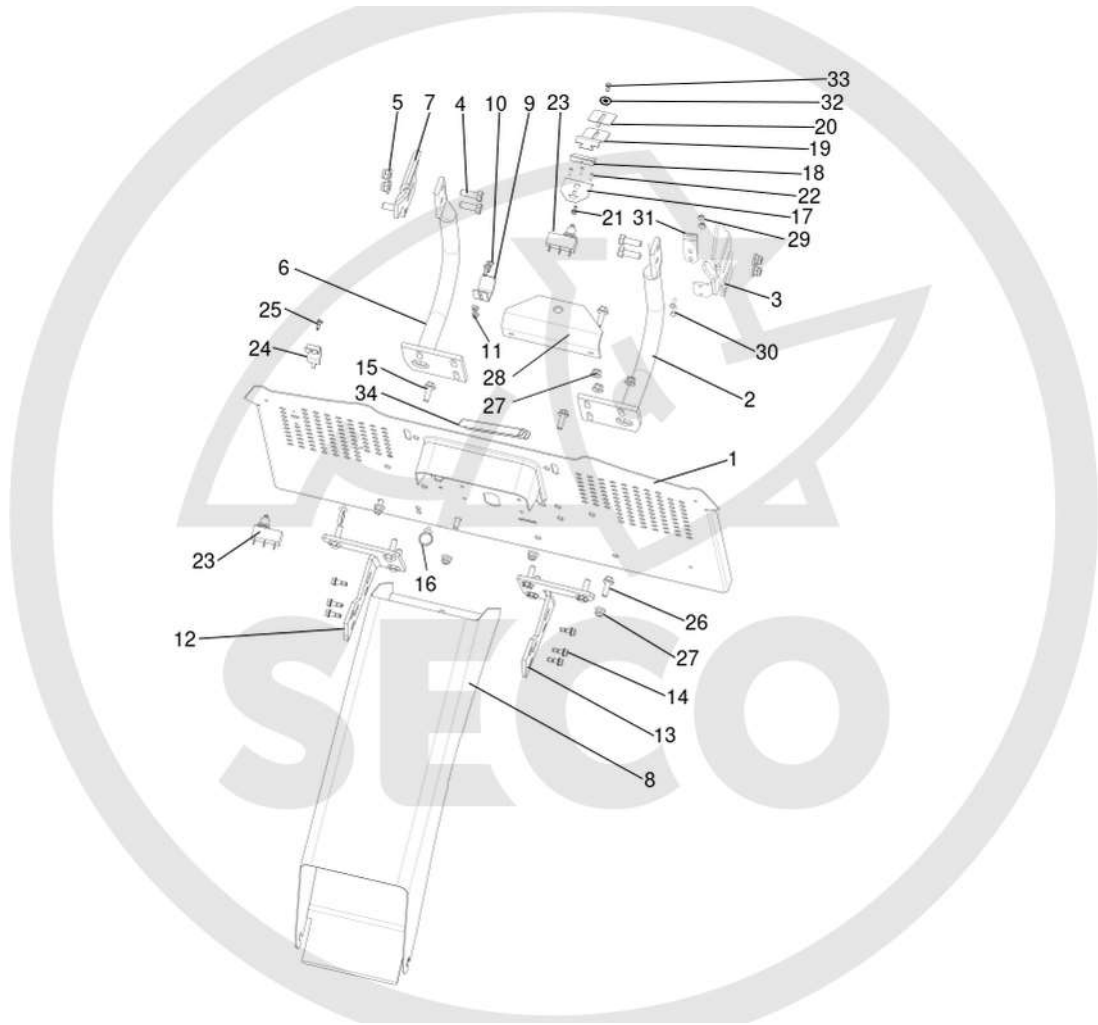


ID	Name	Item code	No.	UOM	Price
1	Frame upper	S532974472693	1	KS	EUR /
2	Front pipe	S532074442233	1	KS	EUR /
3	Strut	S532074262133	2	KS	EUR /
4	Lower pipe	S532074442253	1	KS	EUR /
5	Connecting tube	S532074262013	1	KS	EUR /
6	Handle compl.	S532913463253	1	KS	EUR /
7	Grass Bag 9-7432-202	N532150135	1	KS	EUR /
8	Reinforcement	S532015408483	1	KS	EUR /
9	Lever Dumping	S532074202013	1	KS	EUR /
10	Handle MOSS 10189	N532151120	1	KS	EUR /
11	Screw M 6x10 DIN 7500 D	N309578545	1	KS	EUR /
12	Screw M 5X16	N309203539	8	KS	EUR /
13	Bolt M 5X25	N309203557	6	KS	EUR /
14	Screw M 8X20 BN 1206	N309578535	2	KS	EUR /
15	Nut M 5 DIN 6926 Zinc	N311129524	14	KS	EUR /
16	Washer 11 black	N311212040	2	KS	EUR /
17	Nut M 10 DIN 6926 Zinc	N311129523	2	KS	EUR /
18	Nut M 8 DIN 6926 8 Zinc	N532150290	2	KS	EUR /
19	Screw ST 6.3X32 DIN 7504 K	N309315013	6	KS	EUR /
20	Grass box-spring Snapper	S532097402233	1	KS	EUR /
21	VÍKO 0-7447-311 DESIGN 2021	N532151870	1	KS	EUR /
22	Cap 035 0612 220 03 Dual	N532151425	6	KS	EUR /
23	BAL. Č.2-232 ZÁSOBNÍK TRÁVY AJ/MJ	S532986022323	1	KS	EUR /

Model: KMJ2P-23-0001

Group: KMJ17-23-0002

Grassbox plate + tunnel

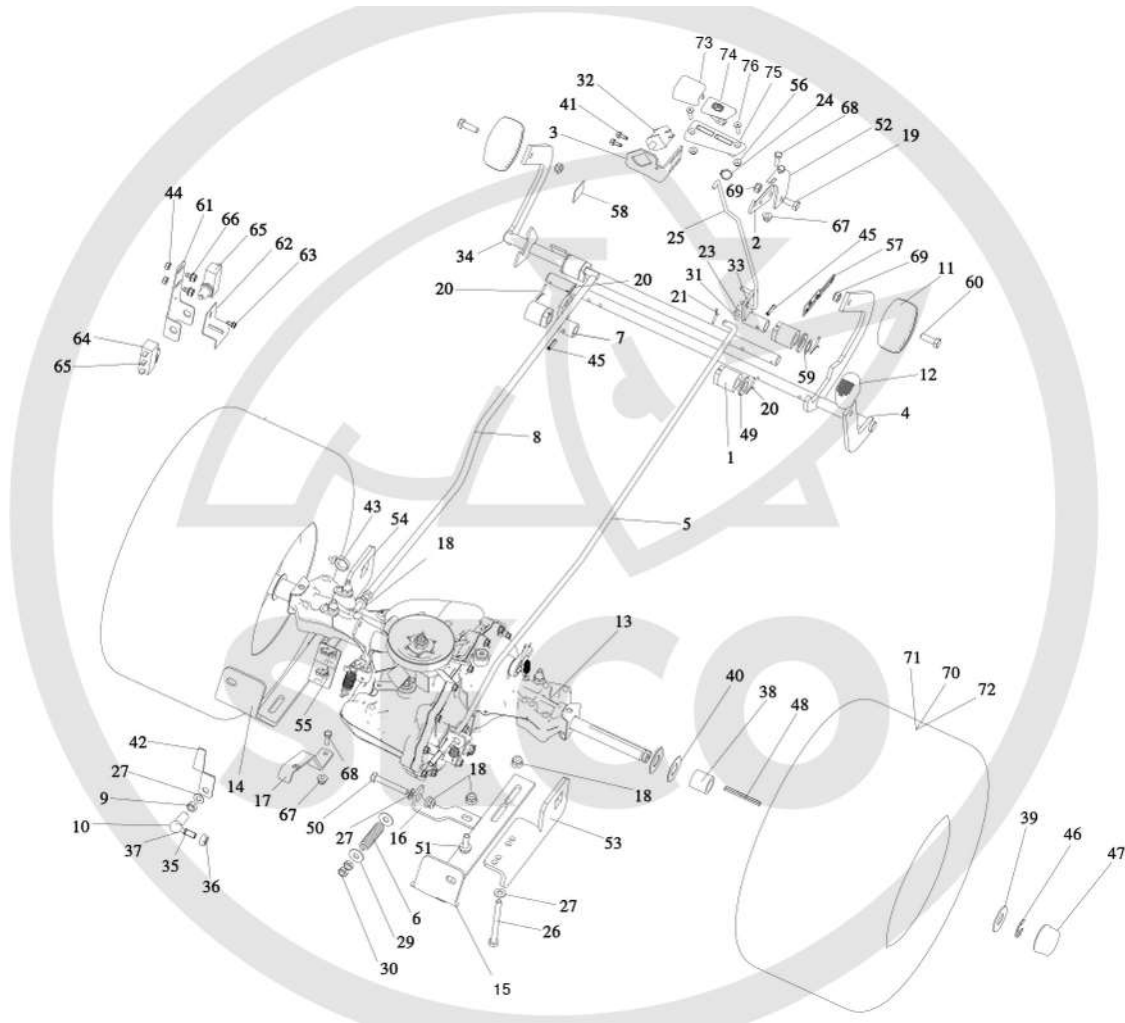


ID	Name	Item code	No.	UOM	Price
1	Grass-box plate compl. design2021	S532974422513	1	KS	EUR /
2	Left holder AJ92	S532974432483	1	KS	EUR /
3	Holder left UJ	S532913362033	1	KS	EUR /
4	Screw M 10X30	N309503510	4	KS	EUR /
5	Nut M 10 DIN 6926 Zinc	N311129523	4	KS	EUR /
6	Right holder AJ92	S532974432463	1	KS	EUR /
7	Holder right UJ	S532913362043	1	KS	EUR /
8	Discharge tunnel MJ	S532974472463	1	KS	EUR /
9	Spring	S532097464993	1	KS	EUR /
10	Screw M 5X16 Zinc	N309019514	2	KS	EUR /
11	Nut M 5 DIN 6923 8 Zn toothed	N311129532	2	KS	EUR /
12	Board holder left	S532913402043	1	KS	EUR /
13	Board holder right	S532913402033	1	KS	EUR /
14	SCREW M 6X16 DIN 7500D BN 3326	N309578517	6	KS	EUR /
15	Screw M8x25 DIN 6921 with teeth	N309578555	2	KS	EUR /
16	Clip WSBH 1-0-1	N532150211	3	KS	EUR /
17	Plug plate	S532114302043	1	KS	EUR /
18	Holder	S532113408353	1	KS	EUR /
19	Plug plate	S532014417343	1	KS	EUR /
20	Plug plate	S532014417353	1	KS	EUR /
21	Screw M 6x10 KL 100 RIPP Zinc	N309503579	1	KS	EUR /
22	Screw M 6x10 DIN 7500 D	N309578545	3	KS	EUR /
23	Microswitch MKH 12 D 13-S1	N345359004	2	KS	EUR /
24	Switch cover	S532085415813	1	KS	EUR /
25	Screw M 5x12 DIN 7500D BN3326	N309578544	1	KS	EUR /
26	Screw M 8X25 DIN 6921 8.8 Zinc	N309578011	4	KS	EUR /
27	Nut M 8 DIN 6926 8 Zinc	N532150290	10	KS	EUR /
28	Tow hitch	S532113402453	1	KS	EUR /
29	Nut M 5 DIN 6926 Zinc	N311129524	2	KS	EUR /
30	Screw M 5X16	N309203539	2	KS	EUR /
31	Spring	S532097452243	1	KS	EUR /
32	Control head 0-8060-201	N532151790	1	KS	EUR /
33	Screw M6X16	N309503508	1	KS	EUR /
34	Edging with steel fibre 22-6784-1	N273232022	0	M	EUR /

Model: KMJ2P-23-0001

Group: KMJ18-23-0001

Drive and brake control



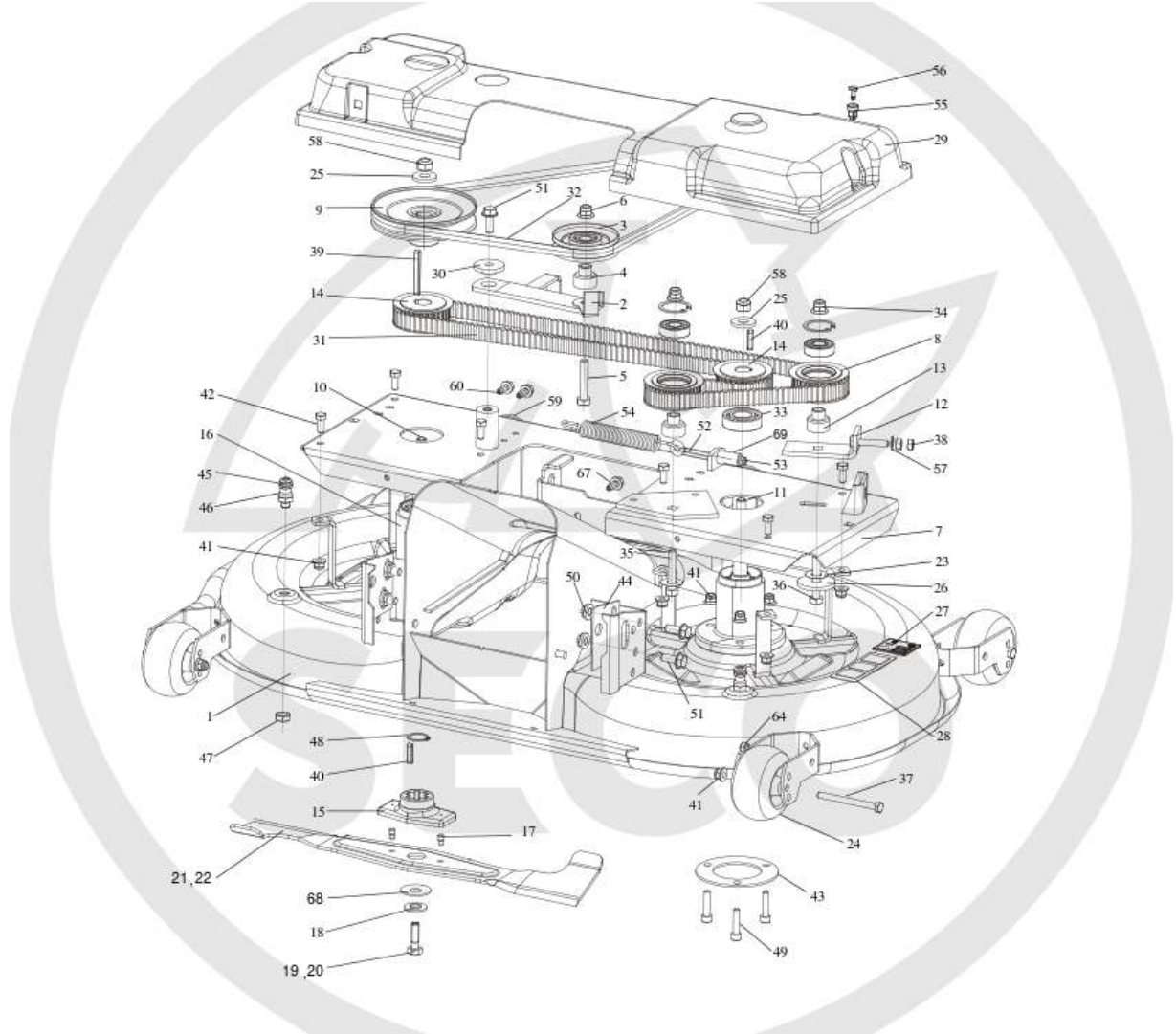
ID	Name	Item code	No.	UOM	Price
1	Case 0-9462-203	N722643024	4	KS	EUR /
2	Latch	S532037322233	1	KS	EUR /
3	Switch holder	S532113402293	1	KS	EUR /
4	Travel lever	S532980442613	1	KS	EUR /
5	Brake rod 0-8041-222 MJ	N532151617	1	KS	EUR /
6	Spring TLZ 250.150.0530 Zinc	N315231240	1	KS	EUR /
7	Arm complete	S532980364823	1	KS	EUR /
8	Travel rod MJ	S532980422613	1	KS	EUR /
9	Nut M 8	N311150503	1	KS	EUR /
10	Ball bushing 13 DIN71805B Zinc	N442073016	1	KS	EUR /
11	Foot pedal plastic 0-8051-202	N532151568	2	KS	EUR /
12	Pedal cover 0-8832-234	N273151013	1	KS	EUR /
13	Gearbox HYDRO GEAR T2	N532991062	1	KS	EUR /
14	Holder left MJ	S532113403033	1	KS	EUR /
15	Holder right	S532113403063	1	KS	EUR /
16	Gearbox holder	S532113425343	1	KS	EUR /
17	Bypass rod MJ	S532080422043	1	KS	EUR /
18	Nut M 8 DIN 6926 8 Zinc	N532150290	7	KS	EUR /
19	Screw M8X20	N309503518	1	KS	EUR /
20	Spindle 3.2x25	N311338517	4	KS	EUR /
21	Spindle 3.2x20	N311338516	1	KS	EUR /
22	Not used in this performance	NK00000000	1	KS	EUR /
23	Spindle 1.6x12	N311338513	2	KS	EUR /
24	Lock ring 14	N311733004	1	KS	EUR /
25	Parking brake control rod 9-8042-	N532151846	1	KS	EUR /
26	Screw M 8x85	N309501573	4	KS	EUR /
27	Washer 8.4	N311210503	6	KS	EUR /
28	Not used in this performance	NK00000000	1	KS	EUR /
29	Washer 9 Zinc	N311212517	2	KS	EUR /
30	Nut M 8	N311120520	2	KS	EUR /
31	Washer 5.3	N311210501	2	KS	EUR /
32	Seat switch Delta 6440-04	N000532079	1	KS	EUR /
33	Foot complete	S532980365393	1	KS	EUR /
34	Brake pedal	S532980442583	1	KS	EUR /
35	Spherical pin 13 DIN 71803 C Zinc	N442073017	1	KS	EUR /
36	Nut M8 DIN 6923 8 Zinc. toothed	N311129520	1	KS	EUR /
37	Safety U-strap 13 DIN 71805 S Zin	N442073018	1	KS	EUR /
38	Spacer	S532195203773	2	KS	EUR /
39	Washer	S532092208363	6	KS	EUR /
40	Washer	S532092208153	10	KS	EUR /
41	Screw M 5x12 DIN 7500D BN3326	N309578544	2	KS	EUR /
42	Reset spring	S532097412053	1	KS	EUR /
43	Clip WSBH 1-0-1	N532150211	1	KS	EUR /

44	Nut M6	N311150504	2	KS	EUR /
45	Spring pin 5x22 ISO 8748	N315238058	2	KS	EUR /
46	Lock ring E-75 3/4	N311732023	2	KS	EUR /
47	Cover 0-8025-237	N532150915	2	KS	EUR /
48	Key 0-9231-216	N311726099	2	KS	EUR /
49	Washer 17	N311210507	2	KS	EUR /
50	Bolt M5x35	N309503556	1	KS	EUR /
51	Screw M 8X25 DIN 6921 8.8 Zinc	N309578011	1	KS	EUR /
52	Ratchet holder	S532113408283	1	KS	EUR /
53	Right lift holder	S532113408303	1	KS	EUR /
54	Left lift holder	S532113408293	1	KS	EUR /
55	Label 0-8732-523	N283292414	1	KS	EUR /
56	Nut M 5 DIN 6926 Zinc	N311129524	2	KS	EUR /
57	Label 0-8732-444	N283292327	1	KS	EUR /
58	Label 1-8732-363 Brake	N283293029	1	KS	EUR /
59	Washer 16X22X1 DIN 988 L 07	N311219496	2	KS	EUR /
60	Screw M 8X20	N309543506	2	KS	EUR /
61	Switch holder UJ	S532014402173	1	KS	EUR /
62	Neutral-switch cover	S532014412013	1	KS	EUR /
63	Screw M 4X8 D 7500 D	N309578507	1	KS	EUR /
64	Switches harness KS 004081	N341271193	1	KS	EUR /
65	Microswitch MKH 12 D 13-S1	N345359004	2	KS	EUR /
66	Screw M 6x10 DIN 7500 D	N309578545	2	KS	EUR /
67	Nut M 6 DIN 6926	N311129525	3	KS	EUR /
68	Screw M 6X20	N309503548	3	KS	EUR /
69	Nut M 8	N311129501	3	KS	EUR /
70	Wheel rear 18x8.50-8 CHEVRON	N532940172	2	KS	EUR /
71	Wheel disc 7.00IX8H2 OTR 202180	N325111023	2	KS	EUR /
72	Tyre rear 18x8.50-8 CHEVRON	N274161030	2	KS	EUR /
73	Plug,cruise control 0-8066-208	N321841101	1	KS	EUR /
74	Parking lever 0-8066-206 1to1	N443900160	1	KS	EUR /
75	Lever holder,cc.&brake 0-8066-207	N443900161	1	KS	EUR /
76	Screw M 5x25 DIN7991 10.9 Zinc	N309578510	2	KS	EUR /

Model: **KMJ2P-23-0001**

Group: **KMJ20-22-0001**

**Mowing unit 102**





ID	Name	Item code	No.	UOM	Price
1	Blades cover compl. MJ102	S532950472463	1	KS	EUR /
2	Holder compl.	S532913424393	1	KS	EUR /
3	Pulley Compensa C-00237/2	N532150784	1	KS	EUR /
4	Pulley spacer	S532094212013	1	KS	EUR /
5	Screw M 10X55	N309203525	1	KS	EUR /
6	Nut M 10 DIN 6926 Zinc	N311129523	2	KS	EUR /
7	Board main MJ102	S532985422133	1	KS	EUR /
8	Pulley 28 Z 9-3371-312	N532150836	2	KS	EUR /
9	Pulley compl. 9-3325-234	N532150165	1	KS	EUR /
10	Shaft	S532038128033	1	KS	EUR /
11	Shaft	S532038128023	1	KS	EUR /
12	Foot compl.	S532914412013	1	KS	EUR /
13	Pulley spacer	S532094212013	2	KS	EUR /
14	Pulley 9-3371-277	N532150860	2	KS	EUR /
15	Flange	S532098212403	2	KS	EUR /
16	Flange	S532038523833	2	KS	EUR /
17	Shear Stud 0-9311-736 ( 100 PCs )	N532980077	4	KS	EUR /
18	Washer	S532092207493	2	KS	EUR /
19	Screw 0-9011-283 M10 Left	N309599008	1	KS	EUR /
20	Screw 0-9011-287 M10	N309599017	1	KS	EUR /
21	Rotary blade left (102)	S532050422103	1	KS	EUR /
22	Rotary blade right (102)	S532050422113	1	KS	EUR /
23	Washer	S532092202133	5	KS	EUR /
24	Cutting wheel Etop 100-8,2	N532940128	4	KS	EUR /
25	Washer	S532092207273	2	KS	EUR /
26	Washer	S532092207533	1	KS	EUR /
27	Label 0-8732-559 Noise 100 dB	N283292437	1	KS	EUR /
28	Decal-safety 0-8730-510	N283292121	2	KS	EUR /
29	Belt cover 0-8547-237 MJ102	N532151642	1	KS	EUR /
30	WASHER	S532092212293	1	KS	EUR /
31	Two-sided toothed belt 1760	N272211006	1	KS	EUR /
32	V-belt B 17x1425 Li BBT	N272731239	1	KS	EUR /
33	Bearing 6205 2 RS C 66IB	N324162099	4	KS	EUR /
34	Nut M 10 DIN 6926 Zinc	N311129523	1	KS	EUR /
35	Screw M 10X55	N309203525	1	KS	EUR /
36	Screw M 10X60	N309503577	1	KS	EUR /
37	Screw M 8X90	N309501567	4	KS	EUR /
38	Nut M 8	N311150503	2	KS	EUR /
39	Tongue 6E7x6x63	N311726086	1	KS	EUR /
40	Key 6E7X6X28	N311726091	3	KS	EUR /
41	Nut M 8 DIN 6926 8 Zinc	N532150290	16	KS	EUR /
42	Screw M8X20	N309503518	6	KS	EUR /
43	Cutting reinforcement	S532098203373	2	KS	EUR /

44	Cutting foot	S532014417363	2	KS	EUR /
45	Quick fastener 0-9026-246	N532150533	2	KS	EUR /
46	Ring 10.78X2.62 NBR 70-SH	N273111057	2	KS	EUR /
47	Nut M 12	N311120511	2	KS	EUR /
48	Lock ring 25	N311733014	2	KS	EUR /
49	Screw M 8X35	N309503543	6	KS	EUR /
50	Nut M10 RIPP KL 10 BN 2798	N311129522	4	KS	EUR /
51	Screw M10X25KL100 Ripp. V. DACROM	N309578529	5	KS	EUR /
52	Screw M 6x100 with loop BN1006 Zn	N309578558	1	KS	EUR /
53	Nut M 6 DIN 6926	N311129525	1	KS	EUR /
54	Spring 0-9746-460	N315231193	1	KS	EUR /
55	Seating D7-201-802-010	N532150903	2	KS	EUR /
56	Pin D7-201-711-010	N532150904	2	KS	EUR /
57	Washer 9 Zinc	N311212517	1	KS	EUR /
58	Nut M 12	N311129505	2	KS	EUR /
59	Backstop	S532114322063	2	KS	EUR /
60	SCREW M 6X16 DIN 7500D BN 3326	N309578517	4	KS	EUR /
61	Not used in this performance	NK00000000	1	KS	EUR /
62	Not used in this performance	NK00000000	1	KS	EUR /
63	Not used in this performance	NK00000000	1	KS	EUR /
64	Not used in this performance	NK00000000	1	KS	EUR /
65	Not used in this performance	NK00000000	1	KS	EUR /
66	Not used in this performance	NK00000000	1	KS	EUR /
67	Screw M 8x16 DIN 7500 D BN3326	N309578520	2	KS	EUR /
68	Washer BN 806-40x16.3x2x3.1	N311219503	2	KS	EUR /
69	Spacer	S532094202093	1	KS	EUR /

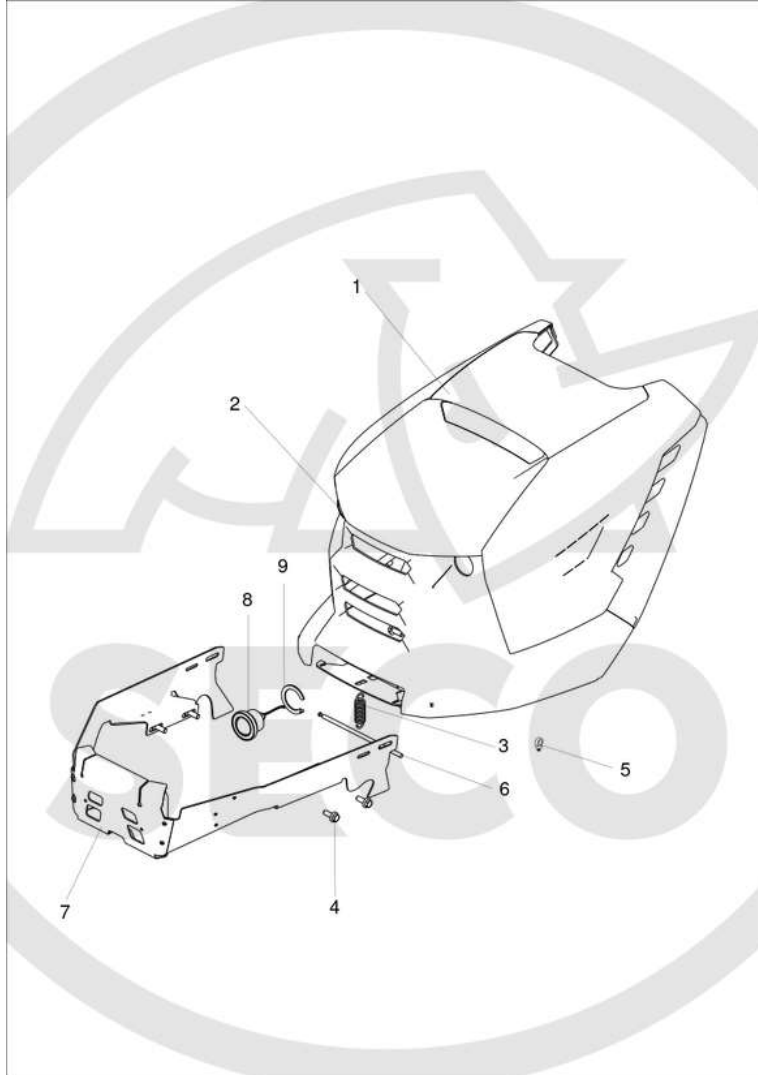
Model:

KMJ2P-23-0001

Group:

KAJ21-23-0002

Engine hood

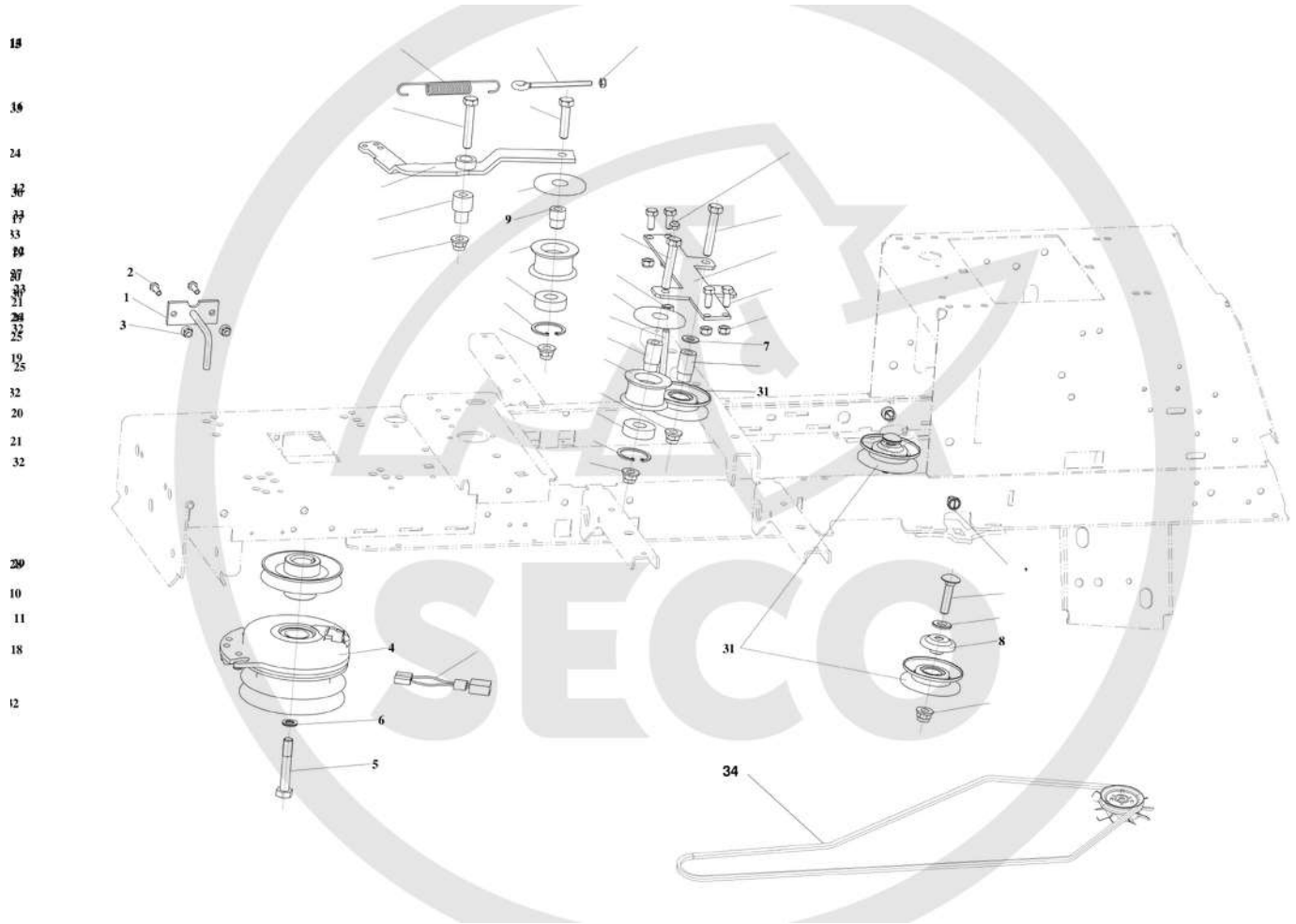


ID	Name	Item code	No.	UOM	Price
1	KAPOTA ÚPLNÁ 9-1849-494	N532151869	1	KS	EUR /
2	Lights connection KS004137 1to1	N341271222	1	KS	EUR /
3	Spring 0-9746-472	N315231203	1	KS	EUR /
4	Screw M 10x25 DIN 6921	N309578554	4	KS	EUR /
5	Clip WSBH 1-0-1	N532150211	3	KS	EUR /
6	Safety bar	S532013102143	1	KS	EUR /
7	Bumper design 2021/AJ	S532918452213	1	KS	EUR /
8	Light, main KS004133	N341271220	2	KS	EUR /
9	Arrestment ring KS004132	N341271221	2	KS	EUR /

Model: KMJ2P-23-0001

Group: KMJ22-23-0003

Elmg.Clutch and pulley

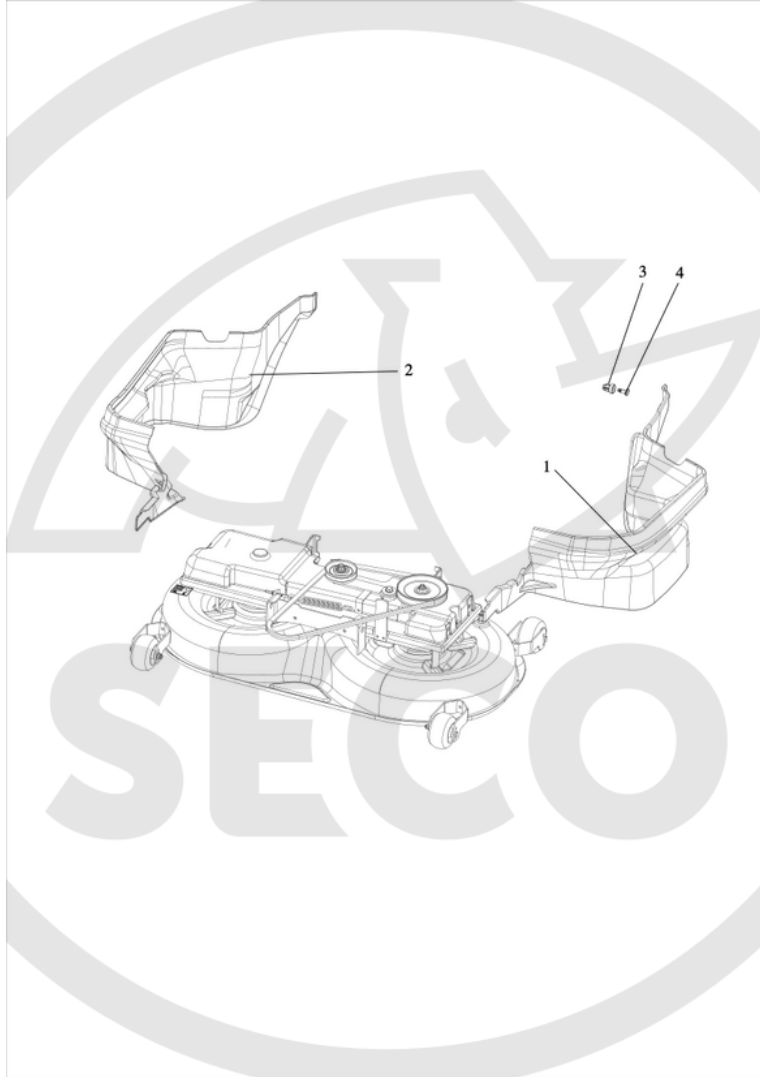


ID	Name	Item code	No.	UOM	Price
1	Clutch stopper	S532936362263	1	KS	EUR /
2	Screw M 6X20	N309503548	2	KS	EUR /
3	Nut M 6 DIN 6926	N311129525	2	KS	EUR /
4	Elmag. clutch I-5217-38	N532151196	1	KS	EUR /
5	Screw UNF 7/16"X3" 10.9 ZINK	N309579511	1	KS	EUR /
6	Washer NL 11 glued Dacromet	N311219516	1	KS	EUR /
7	Washer 10.5	N311210504	2	KS	EUR /
8	Cover C-00693 Compensa	N532151119	2	KS	EUR /
9	Tension pulley case	S532094214533	1	KS	EUR /
10	Screw M10X45 021319 Zinc	N309019531	2	KS	EUR /
11	Washer 13	N311210505	2	KS	EUR /
12	Travel-tension holder	S532913323073	1	KS	EUR /
13	Screw M 6x80 with eye BN1006 Zinc	N309578523	1	KS	EUR /
14	Nut M 6	N311129513	1	KS	EUR /
15	Spring 0-9746-497	N315231270	1	KS	EUR /
16	Screw M 10x45	N309203544	1	KS	EUR /
17	Bushing	S532094212073	1	KS	EUR /
18	Protective diodes harness 9-8316-	N341271052	1	KS	EUR /
19	Pulley tensioning 9-3325-296	N532151361	2	KS	EUR /
20	Bearing 6203 2 RS C 66 IB	N324162098	2	KS	EUR /
21	Lock ring 40	N311733079	2	KS	EUR /
22	Guide-pulley holder	S532113422163	1	KS	EUR /
23	Screw M8X20	N309503518	4	KS	EUR /
24	Nut M 8	N311129501	5	KS	EUR /
25	Bushing	S532094214173	2	KS	EUR /
26	Screw M 8X65	N309501536	1	KS	EUR /
27	Nut M 8	N311150503	2	KS	EUR /
28	Pin D7-201-711-010	N532150904	2	KS	EUR /
29	Seating D7-201-802-010	N532150903	2	KS	EUR /
30	Bearing cover 0-8022-201	N532151639	2	KS	EUR /
31	Pulley Compensa C-00237/1	N532150824	3	KS	EUR /
32	Nut M 10 DIN 6926 Zinc	N311129523	6	KS	EUR /
33	Screw M 10X60	N309503577	3	KS	EUR /
34	V-belt VB 13x2620LI Optibelt	N272731252	1	KS	EUR /

Model: KMJ2P-23-0001

Group: KMJ23-22-0001

Mowing unit no.2



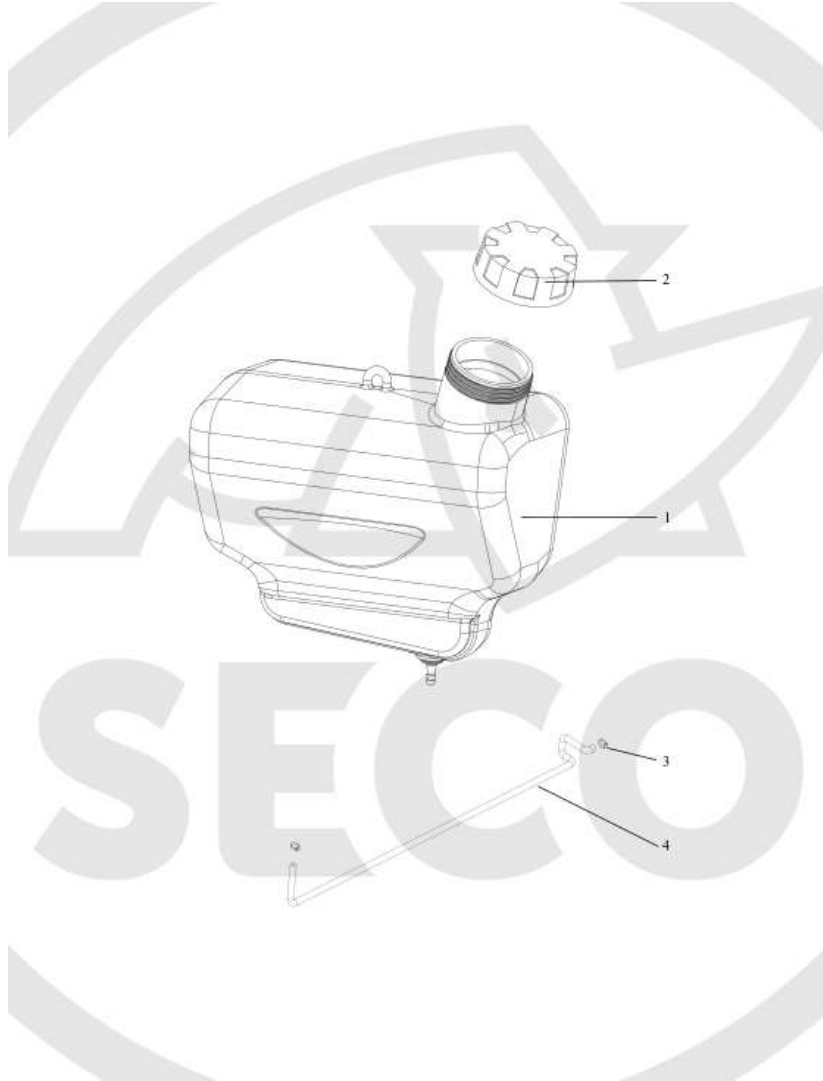


<b>ID</b>	<b>Name</b>	<b>Item code</b>	<b>No.</b>	<b>UOM</b>	<b>Price</b>
1	Belt cover 0-8547-270 L MJ	N532151842	1	KS	EUR /
2	Belt cover 0-8547-271 R MJ	N532151843	1	KS	EUR /
3	Seating D7-201-802-010	N532150903	8	KS	EUR /
4	Pin D7-201-711-010	N532150904	8	KS	EUR /



Model: KMJ2P-23-0001  
Group: KAJ25-22-0001

Fuel tank





<b>ID</b>	<b>Name</b>	<b>Item code</b>	<b>No.</b>	<b>UOM</b>	<b>Price</b>
1	Fuel tank 0-2766-220 clear	N232130021	1	KS	EUR /
2	Fuel tank Cap 9-2725-201	N321841017	1	KS	EUR /
3	Clip UM 5008	N000532058	2	KS	EUR /
4	Fuel hose for NJ, AJ, UJ	S532986018003	1	KS	EUR /