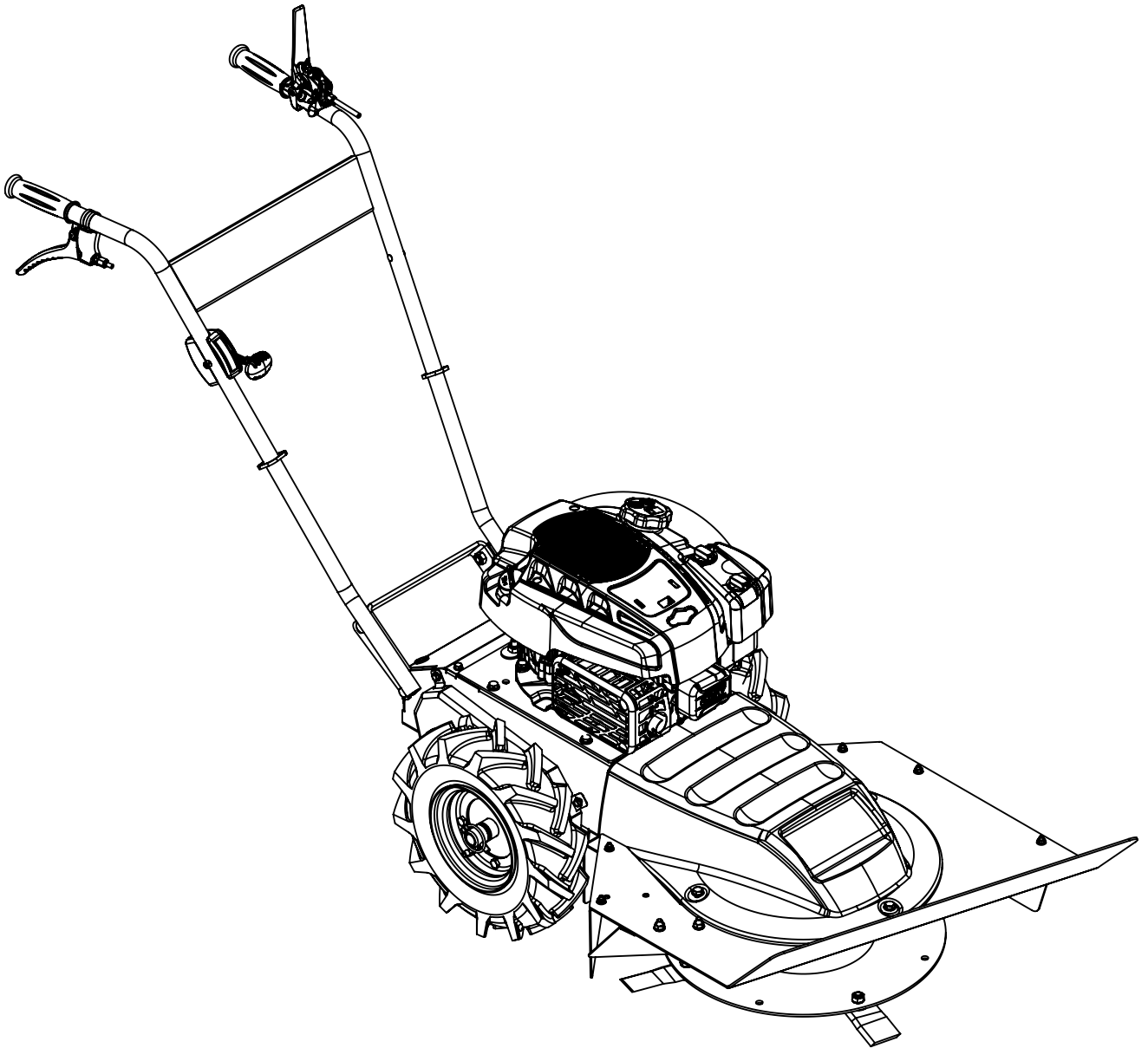
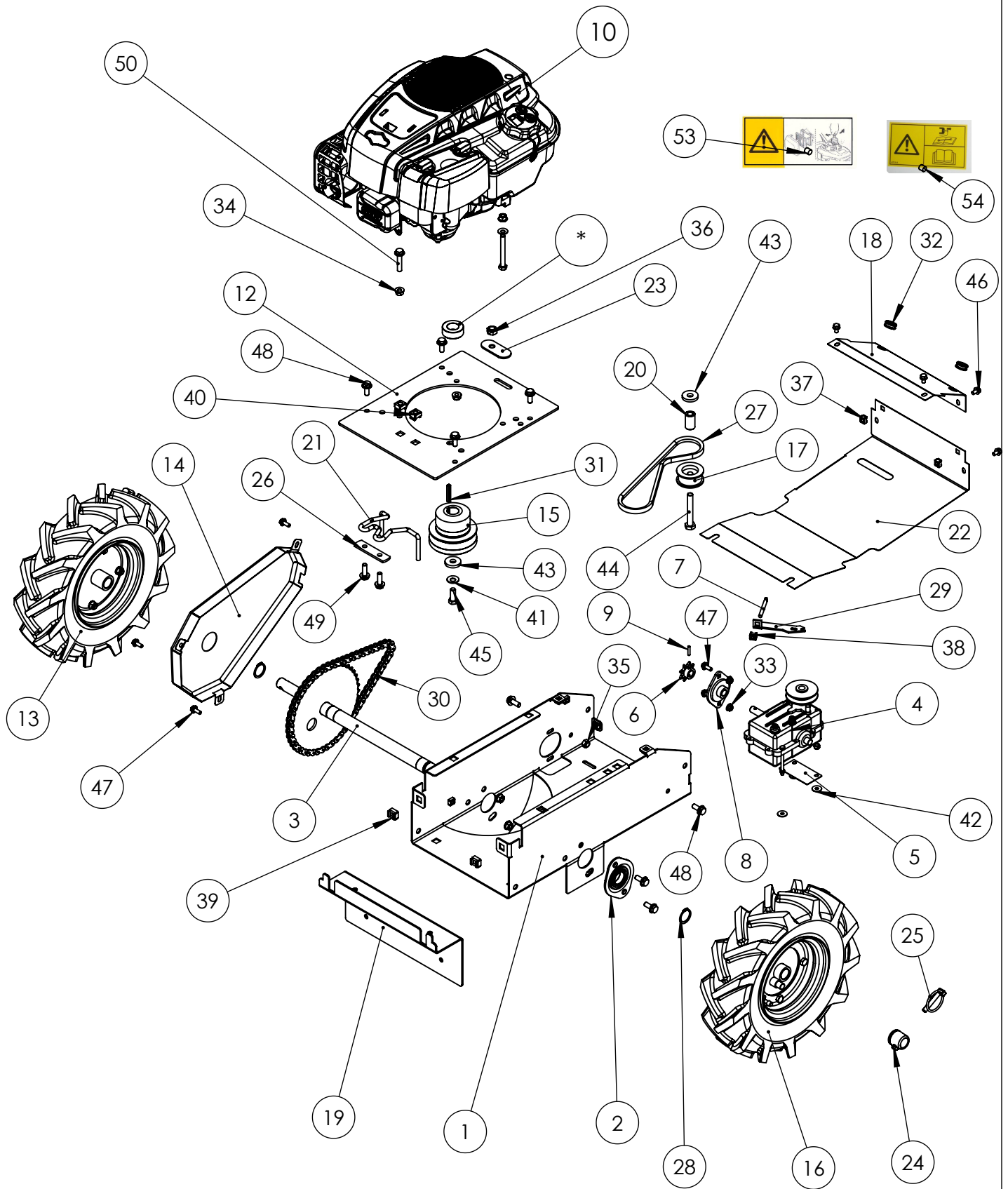


Pièces de rechange Spare parts list

KJ0003****

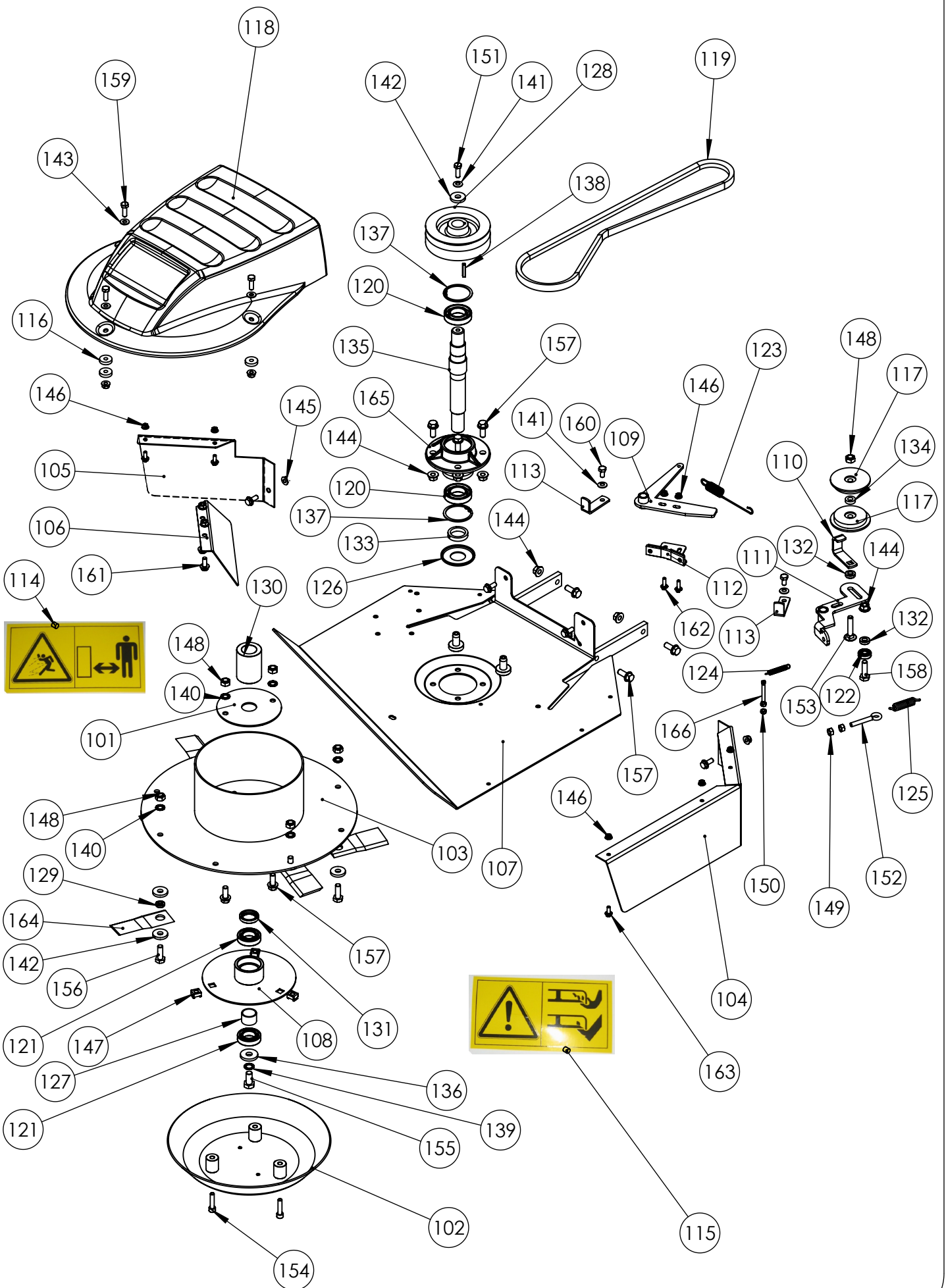


***DEBROUSSAILLEUSE ROTATIVE
ROTARY BRUSH CUTTER***

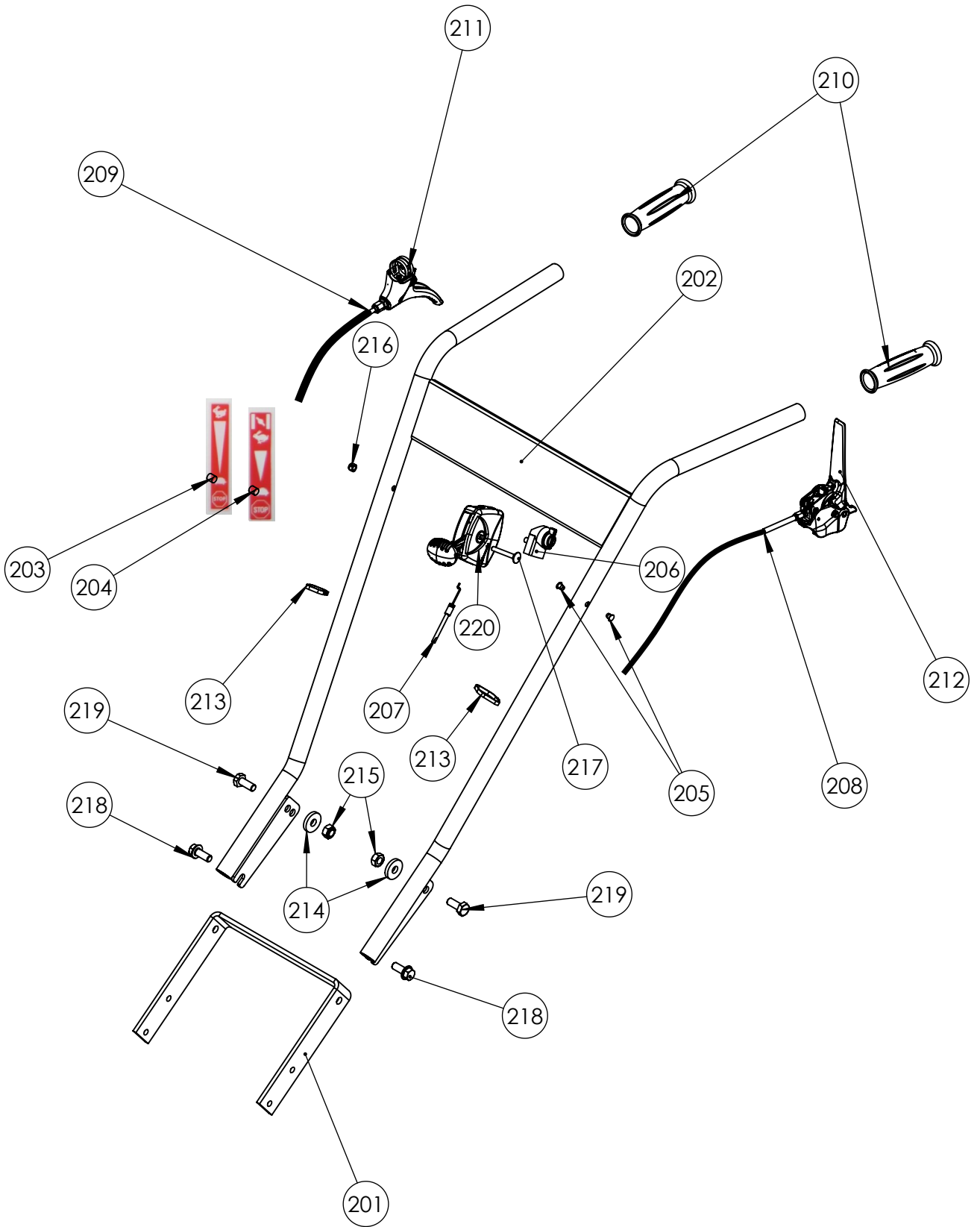


REP N°	Ref.	Désignation	Description	B&S 850	HONDA	EA190V	RV225
1	KJ02030802	CHASSIS JAUNE	YELLOW BASE	1	1	1	1
1	KJ02031402	CHASSIS GRIS RAL8120	GREY RAL8120 BASE	1	1	1	1
1	KJ02032601	CHASSIS ORANGE	ORANGE BASE	1	1	1	1
1	KJ02030601	CHASSIS ROUGE	RED BASE	1	1	1	1
2	KE01010001	PALIER AVEC RLT. DE 25 ASSEMBLE	BEARING Ø 25	2	2	2	2
3	KE02010207	ARBRE - PIGNON TRANSMISSION	AXLE	1	1	1	1
4	K306040006	BOITIER REDUCTEUR	GEARBOX	1	1	1	1
5	KE02011605	CALE BOITIER REDUCTEUR NOIR	GEARBOX SUPPORT	1	1	1	1
6	KE04010011	PIGNON 8 DENTS	SPROCKET 8 TEETH	1	1	1	1
7	KE04010018	VIS DE BIELETTE EMBRAY.BOITIER	CLUTCH SCREW	1	1	1	1
8	K306010010	PALIER FLASQUE TOLE DIAM 12	SELF-ALIGNING BEARING UNIT	1	1	1	1
9	K301090003	GOUPILLE ROULEE 4 x 20	ROLLED COTTER 4 X 20	1	1	1	1
10	K330030106-	MOTEUR SUBARU EA190V*	SUBARU ENGINE EA190V*	-	-	1	-
10	0330011052	HONDA GCVx200 xNOIRx Vol Lourd		-	1	-	-
10	0330091010	RV225		-	-	-	1
10	K330010104	MOTEUR HONDA GSV190 SANS FREIN*	ENGINE HONDA GSV190	-	1	-	-
10	0330021039	BS850 SERIES		1	-	-	-
11	K302020031	ENTRETOISE POULIE MOTEUR HONDA	ROUND SPACER FOR ENGINE PULLEY	-	1	-	-
12	KJ02031609	SUPPORT MOTEUR NOIR	ENGINE SUPPORT	1	1	1	1
13	K309000019	ROUE DE 350 DROITE	RIGHT BACK WHEEL	1	1	1	1
13	K309000002	PNEU DE 350	TYRE	2	2	2	2
13	K309000026	CHAMBRE A AIR DE 350	AIR TUBE	2	2	2	2
14	KJ02031602	CARTER DE CHAINE NOIR	CHAIN BONNET	1	1	1	1
15	K302030071	POULIE MOTEUR	ENGINE PULLEY	1	1	1	1
16	K309000024	ROUE DE 350 GAUCHE	LEFT BACK WHEEL	1	1	1	1
17	K306010001	GALET EMBRAYAGE	CLUTCH PULLEY	1	1	1	1
18	KJ02031607	CAPOT ARRIERE NOIR	BACK HATCH	1	1	1	1
19	KJ02031606	TOLE PROTECTION ARRIERE NOIR	BACK PROTECT CARTER	1	1	1	1
20	K302020017	ENTRETOISE ARTICULATION	ROUND SPACER	1	1	1	1
21	K305030014	PLAQUE DE DEBRAYAGE	CLUTCH PLATE	1	1	1	1
22	KJ02031608	TOLE ARR INF NOIR	DOWNSIDE BACK BONNET	1	1	1	1
23	KJ02030401	RONDELLE OBLONG ZN NOIR	WASHER	1	1	1	1
24	K302000005	BUTEE D'ENTRAINEMENT DE ROUE	3/4 TURN NUT	2	2	2	2
25	K301050001	CLIPS DE 8 x 40	CIRCLIPS 8 X 40	2	2	2	2
26	KE02020211	PLAT FIXATION PLAQUE DE DEB FIL ZN	CLUTCH PLATE SUPPORT	1	1	1	1
27	K306030012	COURROIE Z 21.5 10 x 550 LI	V BELT Z 21.5 10 X 550 LI	1	1	1	1
28	K301070007	CIRCLIPS EXTERIEUR DE 25	External retaiting ring 25	2	2	2	2
29	KE02010209	LEVIER EMBRAYAGE ZN	CLUTCH PLATE	1	1	1	1
30	K306020005	CHAINE 12.7 56 MAILLONS	CHAIN 12.7 56 LINKS	1	1	1	1
31	K301040002	CLAVETTE B.DROIT 4.76 x 4.76 x 37	KEY 4.76 X 4.76 X 37	1	1	1	1
32	K301000005	PASSE FIL	WIRE PROTECT	2	2	2	2
33	K300260601	ECROU H M6 Z EMB CR	NUT H M6 Z NOTCHED SHOULDER	2	2	2	2
34	K300260801	ECROU H M8 EMB CR	NUT H M8 NOTCHED SHOULDER	7	8	8	6
35	K300210801	ECROU FREIN H M8	NUT,NYLOC M8	2	2	2	2
36	K300211001	ECROU FREIN M10	BLOCKING NUT M10	1	1	1	1
37	K300230601	ECROU RAPID M 6 C 4806B	NUT RAPID M6 C 4806B	9	9	9	9
38	K300230602	ECROU RAPID M6 C 4806 C	NUT RAPID M6 C 4806C	1	1	1	1
39	K300230802	ECROU ' RAPID' DE 8 C4808 B	NUT RAPID M8 C 4808B	8	8	8	8
40	K300230803	ECROU RAPID M8 C 4808 C	NUT RAPID M8 C 4808C	2	2	2	2
41	K300431001	RONDELLE CONTACT M 10	WASHER M10	1	1	1	1
42	K300400601	RONDELLE PLATE 18 x 6.25 x 1.2 ZN	WASHER 18 X 6.25 X 1.2 ZN	3	3	3	3
43	K300401103	RONDELLE PLATE 30 x 11 x 5 ZN	WASHER 30 X 11 X 5 ZN	2	2	2	2
44	K300011014	VIS TH 10 x 70 ZN	SCREW TH 10 X 70 ZN	1	1	1	1
45	K300060302	VIS TH3/8 UNF1 ZING	SCREW TH 3/8 UNF1 ZN	1	1	1	1
46	K300010617	VIS H 6 x 10 EMB CR	SCREW H 6 X 10 NOTCHED SHOULDER	6	6	6	6
47	K300010601	VIS H 6 x 16 EMB CR	SCREW H NOTCHED SHOULDER 6 X 16	5	5	5	5
48	K300010802	VIS EMB CR 8 x 20	SCREW H NOTCHED SHOULDER 8 X 20	12	12	12	14
49	K300010801	VIS H EMB CR 8 x 25	SCREW H NOTCHED SHOULDER 8 X 25	2	2	2	2
50	K300010803	VIS H EMB CR 8 x 40	SCREW H NOTCHED SHOULDER 8 X 40	2	4	4	2
51	K300430801	RONDELLE CONTACT M8	WASHER M8	1	-	-	-
52	0300010822	VIS H 8x70/22 Z CL8.8 DIN 931	Screw HM8x70z DIN 931 - ISO 4014	1	-	-	-
53	K503000047-	AUTOCOLLANT NETTOYAGE DU MOTEUR	STICKER "ENGINE CLEANING"	1	1	1	1
54	K503000015-	AUTOCOLLANT LIRE LA NOTICE	STICKER " READ THE MANUAL BEFORE USE"	1	1	1	1

* Le service après vente: s'adresser au réseau motoriste concerné
For the engine's spare parts, please contact the motor's retailer network



Rep N°	Ref.	Désignation	Description	Qté
101	KJ02031610	RENFORT TAMBOUR NOIR	STRENGTH WASHER FOR THE DISK	1
102	KJ02031603	BOL NOIR	BLADE PLATE	1
103	KJ02031601	DISQUE SUPPORT COUTEAUX NOIR	DISK	1
104	KJ02031106	BANDEAU GAUCHE GRIS RAL7021	GREY RAL7021 LEFT SIDE DEFLEC.	1
104	KJ02031405	BANDEAU GAUCHE GRIS RAL8120	GREY RAL8120 LEFT SIDE DEFLEC.	1
105	KJ02031105	BANDEAU DROIT GRIS RAL7021	GREY RAL7021 RIGHT SIDE DEFLE.	1
105	KJ02031404	BANDEAU DROIT GRIS RAL8120	GREY RAL8120 RIGHT SIDE DEFLE.	1
106	KJ02031103	DEFLECTEUR GRIS RAL7021	GREY RAL7021 BACK DEFLECTOR	1
106	KJ02031403	DEFLECTEUR GRIS RAL8120	GREY RAL8120 BACK DEFLECTOR	1
107	KJ02031102	SUPPORT PALIER GRIS RAL7021	GREY RAL7021 BLADE AXLE SUPPO.	1
107	KJ02031401	SUPPORT PALIER GRIS RAL8120	GREY RAL8120 BLADE AXLE SUPPO.	1
108	KJ02030205	PALIER FIXATION BOL SOUDE ZINGUE	BLADE PLATE HUB	1
109	KJ02030203	LEVIER PORTE FREIN SOUDE ZINGUE	BRAKE SUPPORT LEVER	1
110	KJ02030202	PLAT GALET DE TENSION DE COURROIE RM PLIE ZN	CLUTCH PULLEY SUPPORT	1
111	KJ02030201	LEVIER EMBRAYAGE SOUDE ZINGUE	CLUTCH PLATE	1
112	KJ01030016	GARNITURE FREIN RIVETEE	BRAKE	1
113	KE02020203	PATTE GUIDAGE EMBRAYAGE ZN	CLUTCH ALIGNER	2
114	K503000003-	AUTOCOLLANT DISTANCE DE SECURITE	STICKER "SECURITY DISTANCE"	1
115	K503000002-	AUTOCOLLANT DANGER SECTIONNEMENT	STICKER "CAUTION : CUTTING PARTS"	1
116	K342000007	CAOUTCHOUC SUPPORT CAPOT	BONNET SUPPORT (RUBBER)	4
117	K340000017	GALET EMBRAYAGE	CLUTCH PULLEY	2
118	K340000015	CAPOT COURROIE ROUGE	RED BONNET	1
118	K340000027	CAPOT COURROIE JAUNE	YELLOW BONNET	1
118	K340000061	CAPOT COURROIE VERT	GREEN BONNET	1
118	0340040008	CAPOT COURROIE ORANGE	ORANGE BELT COVER	1
119	K306030036	COURROIE LB50	V BELT LB50	1
120	K306010024	ROULEMENT 6006 2 RS 30 x 55 x 13	BEARING 6006 2RS 30 x 55 x 13	2
121	K306010015	ROULEMENT 6005 2 RS 25 x 47 x 12	BEARING 6005 2 RS 25 X 47 X 12	2
122	K306010014	ROULEMENT 6000 2 RS	BEARING 6000 2 RS	1
123	K305010010	RESSORT FREIN DE LAME	SPRING FOR BRAKE	1
124	K305010009	RESSORT DE RAPPEL	SPRING	1
125	K305010008	RESSORT DE TRACTION	SPRING	1
126	K303030016	RONDELLE PROTECTION ARBRE	PROTECT WASHER	1
127	K302030070	TUBE ENTRETOISE PALIER	ROUND SPACER FOR BLADE PLATE HUB	1
128	K302030068	POULIE DE LAME	BLADE PULLEY	1
129	K302020068	ENTRETOISE COUTEAUX	ROUND SPACER FOR KNIFE	4
130	K302020066	ENTRETOISE ARBRE PORTE LAME	ROUND SPACER FOR THE BLADE AXLE	1
131	K302020065	ENTRETOISE SERRAGE DISQUE	ROUND SPACER FOR THE DISK	1
132	K302020064	ENTRETOISE	ROUND SPACER	2
133	K302020055	RONDELLE EP 8	WASHER HEIGHT 8	1
134	K302020051	ENTRETOISE 10 x 20 x 6	ROUND SPACER 10 X 20 X 6	1
135	K302010068	ARBRE PORTE LAME ROTOMAX	BLADE AXLE	1
136	K302000084	RONDELLE SERRAGE DISQUE	WASHER FOR THE DISK	1
137	K301070014	CIRCLIPS INTERIEUR DE 55 DIN	CIRCLIPS INT 55 DIN	2
138	K301040014	CLAVETTE 5 x 5 x 30	KEY 5 X 5 X 30	1
139	K300441201	RONDELLE EVENTAIL AZ 12 ZN	WASHER AZ 12 ZN	1
140	K300441001	RONDELLE EVENTAIL AZ 10 ZN	WASHER AZ 10 ZN	6
141	K300430801	RONDELLE CONTACT M8	WASHER M8	3
142	K300401103	RONDELLE PLATE 30 x 11 x 5 ZN	WASHER 30 X 11 X 5 ZN	9
143	K300400802	RONDELLE PLATE 18 x 8 x 1.5	WASHER 18 X 8 X 1.5	3
144	K300261001	ECROU H M10 EMB CR	NUT H M10 NOTCHED SHOULDER	9
145	K300260801	ECROU H M8 EMB CR	NUT H M8 NOTCHED SHOULDER	7
146	K300260601	ECROU H M6 Z EMB CR	NUT H M6 Z NOTCHED SHOULDER	7
147	K300230802	ECROU ' RAPID' DE 8 C4808 B	NUT RAPID M8 C 4808B	3
148	K300211001	ECROU FREIN M10	BLOCKING NUT M10	7
149	K300200801	ECROU HU M8	NUT HU M8	2
150	K300200602	ECROU HU M6	NUT HU M6	2
151	K300090804	VIS A GAUCHE 8 x 25	SCREW Z 8 X 25	1
152	K300090801	PITON A OEIL	SCREW	1
153	K300081004	VIS TRCC 10 x 50	SCREW TRCC 10 X 50	1
154	K300020804	VIS CHC 8 x 35 ZN	SCREW CHC 8 X 35 ZN	3
155	K300011204	VIS TH 12 x 25 ZN	SCREW TH 12 X 25 ZN	1
156	K300011028	VIS TH 10 x 30 8.8 ZN	SCREW TH 10 X 30 8.8 ZN	4
157	K300011025	VIS H 10 x 25 EMB CR	SCREW H NOTCHED SHOULDER 10 X 25	10
158	K300011010	VIS HM 10 x 35	SCREW HM 10 x 35	1
159	K300010817	VIS TH 8 x 25 ZN	SCREW TH 8 X 25 ZN	3
160	K300010814	VIS H M8 x 16	SCREW H M8 X 16	2
161	K300010802	VIS EMB CR 8 x 20	SCREW H NOTCHED SHOULDER 8 X 20	6
162	K300010619	VIS H 6 x 20 EMB CR	SCREW H NOTCHED SHOULD. 6 X 20	2
163	K300010601	VIS H 6 x 16 EMB CR	SCREW H NOTCHED SHOULDER 6 X 16	5
164	K003050036	COUTEAU	KNIFE	4
165	K302030067	PALIER COUPELLE	Blade guard bearing	1
166	KC04010022	VIS BIELETTE EMBRAYAGE	CLUTCH SCREW	1



Rep N°	Ref.	Désignation	Description	Qté	
201	KJ02031605	SUPPORT MANCHERON NOIR	BLACK HANDLEBAR BASE	1	
202	KJ02031406	MANCHERON GRIS RAL8120	GREY RAL8120 HANDLEBAR	1	
202	KJ02031104	MANCHERON GRIS ALU	ALU GREY HANDLEBAR	1	
202	KJ02031604	MANCHERON NOIR	BLACK HANDLEBAR	1	
202	KJ02030801	MANCHERON JAUNE	YELLOW HANDLEBAR	1	
203	K503000031-	AUTOCOLLANT ACCELERATEUR STOP SANS STARTER	STICKER "ENGINE SPEED VARIATION" WITHOUT STARTER	1	B&S RV225
204	K503000005-	AUTOCOLLANT ACCELERATEUR STOP + STARTER	STICKER "SPEED VARIATION" WITH STARTER	1	HONDA
205	K341000011	OBTURATEUR 10 x 7 x 6.5	CAP 10 X 7 X 6.5	2	
206	K330030202-	SWITCH MOTEUR SUBARU	SWITCH SUBARU ENGINE	1	EA190V
207	K308040011	CABLE COMMANDE DES GAZ	THROTTLE CABLE	1	B&S HONDA RV225
208	K308020007	CABLE EMBRAYAGE DE LAME	BLADE CLUTCH CABLE	1	
209	K308010018	CABLE AVANCE	FORWARD CLUTCH CABLE	1	
210	K307020005	POIGNEE CAOUTCHOUC DIAM 25	GRIP	2	
211	K307010023	LEVIER SIMPLE	CLUTCH LEVER	1	
212	K307010014	LEVIER AVEC SECURITE	BLADE CLUTCH LEVER	1	
213	K301060001	COLLIER PLASTIQUE	COLLAR	2	
214	K300401103	RONDELLE PLATE 30 x 11 x 5 ZN	WASHER 30 X 11 X 5 ZN	2	
215	K300211001	ECROU FREIN M10	BLOCKING NUT M10	2	
216	K300210601	ECROU FREIN H M6	BLOCKING NUT M6	1	
217	K300080603	BOULON TRCC 6 x 45	SCREW TRCC 6 X 45	1	
218	K300011025	VIS H 10 x 25 EMB CR	SCREW H NOTCHED SHOULDER 10 X 25	2	
219	K300011009	VIS TH 10 x 25 ZN	SCREW TH 10 X 25 ZN	2	
220	K307020010	POIGNEE GAZ	THROTTLE LEVER	1	B&S HONDA RV225