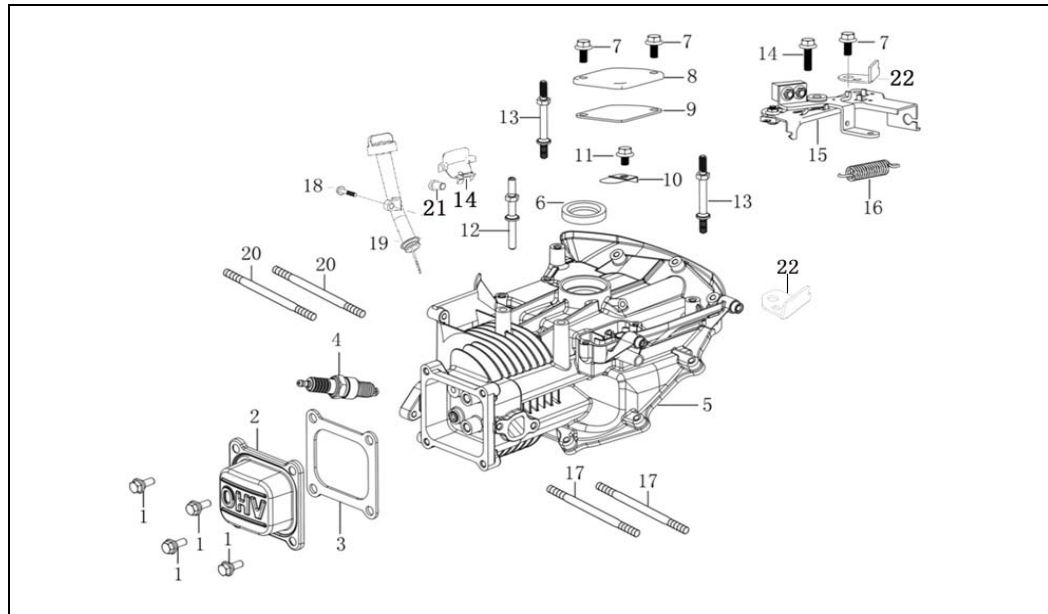
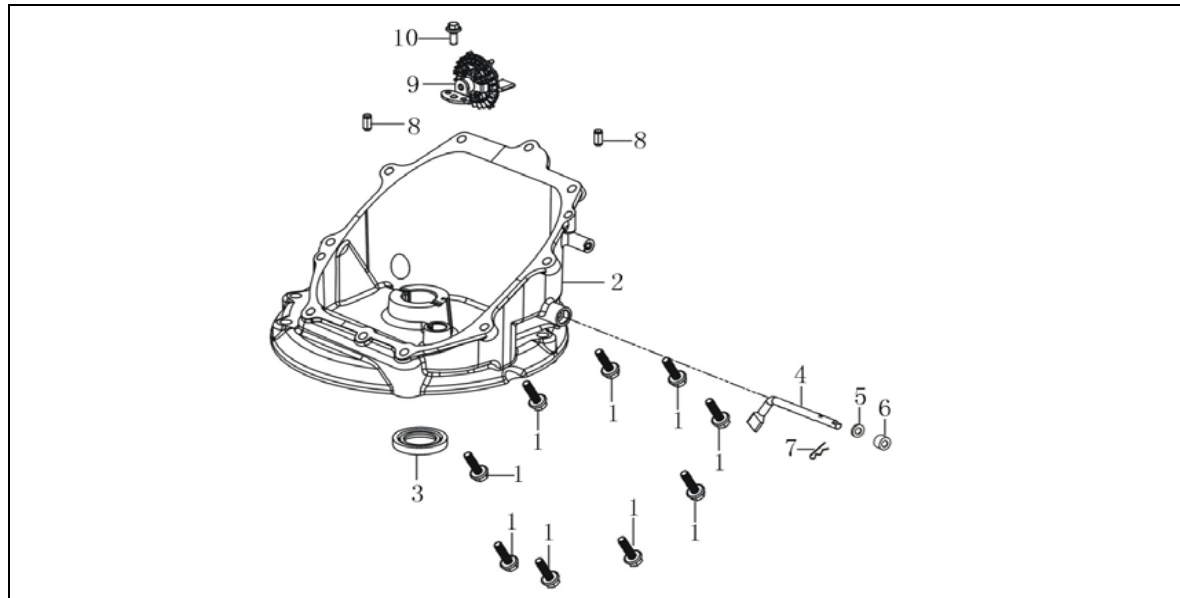


CRANK CASE

No.	Part No.	Description	Reqd. QTY
1	U065-FA001	Hexagon shaft shoulder bolt	4
2	U065-FE002	Cylinder head cover	1
3	U065-FE003	Gasket for cylinder head cover	1
4	U065-FA004	Spark plug	1
5	U065-FE001	Crankcase body	1
6	U065-FA016	Oil seal	1
7	U065-FA097	Hexagon bolt with flange	3
8	U065-FE084	CAP, BREATHER CHAMBER	1
9	U065-FE085	PACKING, BREATHER CHAMBER	1
10	U065-FE141	Leaf valve	1
11	U065-FE086	Hexagon bolt with flange	1
12	U065-FE054	Stay stud	1
13	U065-FE052	Stay stud	2
14	U065-FE130	Side plate	1

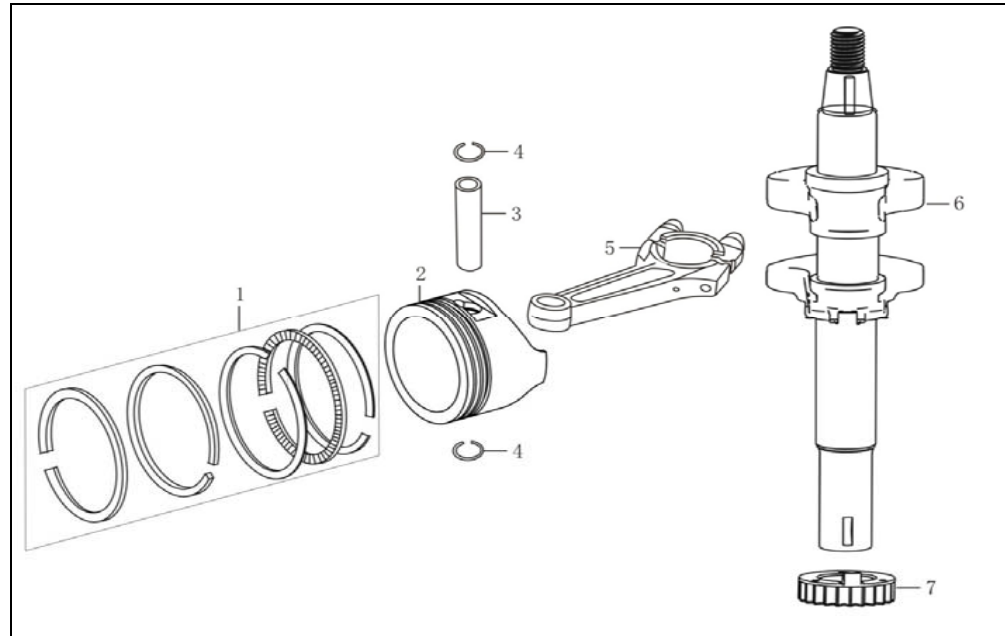


No.	Part No.	Description	Reqd. QTY.
15	U065-FE131	Engine brake	1
16	U065-FE088	Tension spring	1
17	U065-FE089	Stud	2
18	U065-FA044	Hexagon bolt with flange	1
19	U065-FE132	Oil rule combination	1
20	U065-FE087	Stud	2
21	U065-FE133	Bushing	1
22	U065-FE134	Side plate	1



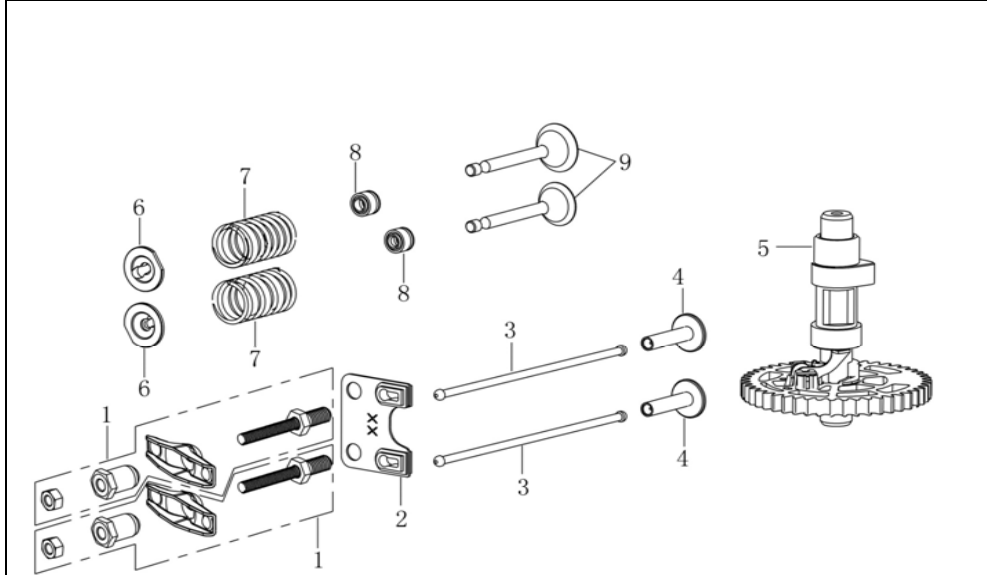
Crankcase cover

No.	Part No.	Part No.	Description	Reqd. QTY.
1	U065-FE091		Hexagon bolt with flange	9
2	U065-FE092		Crankcase cover	1
3	U065-FA033		Oil seal	1
4	U065-FE093		Speed regulating arm	1
5	380450527-0001	U065-FA027	Flat washer	1
6	380650338-0001	U065-FA028	Oil seal	1
7	381350004-0001	U065-FA029	Pin clip	1
8	380600241-0001	U065-FE094	ocation pin	2
9	171750039-0001	U065-FE095	Components of governor gear	1
10	380140167-0002	U065-FE016	Hexagon bolt with flange	1



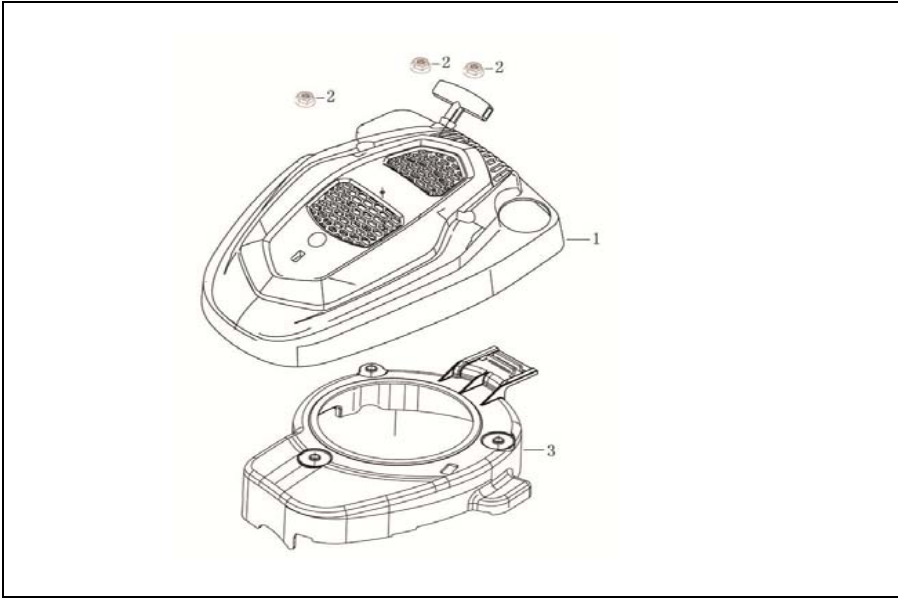
CRANKSHAFT/PISTON

No.	Part No.	Description	Reqd. QTY.
1	U065-FE096	Piston ring combination	1
2	U065-FE097	Piston	1
3	U065-FA047	Piston pin	1
4	U065-FA048	Steel cable baffle ring	2
5	U065-FE098	Connecting rod	1
6	U065-FE099	crankshaft	1
7	U065-FE100	Timing driving wheel	1



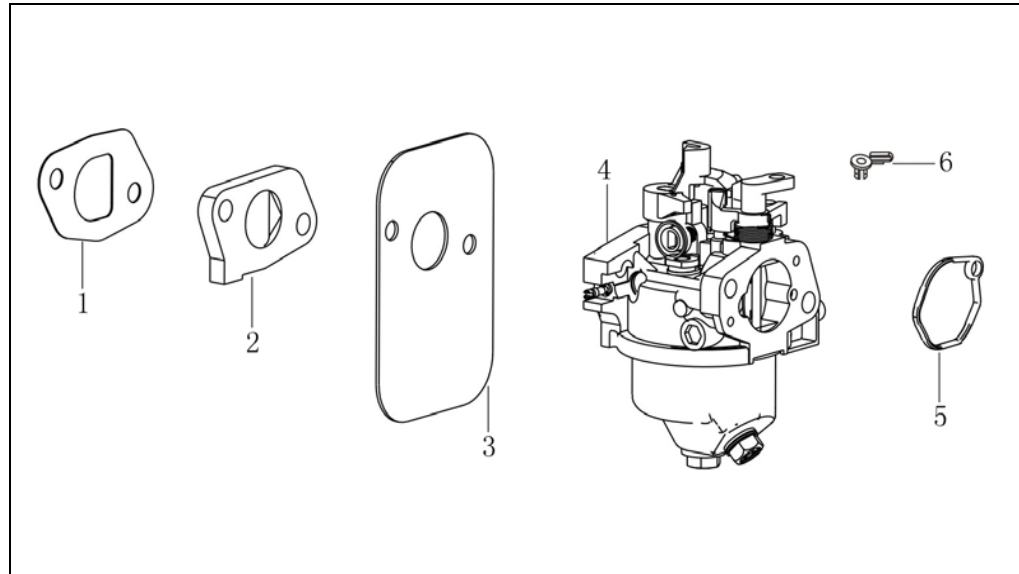
CAMSHAFT

No.	Part No.	Description	Reqd. QTY.
1	U065-FE004	Valve rocker combination	2
2	U065-FE101	Plate, push rod guide	1
3	U065-FA058	Push rod	2
4	U065-FE103	Lifter, Valve	2
5	U065-FE104	Camshaft assy	1
6	U065-FA054	Retainer, valve spring	2
7	U065-FE007	Inner spring of valve	2
8	U065-FE102	Valve oil seal	2
9	U065-FA056	Valve Kit	1



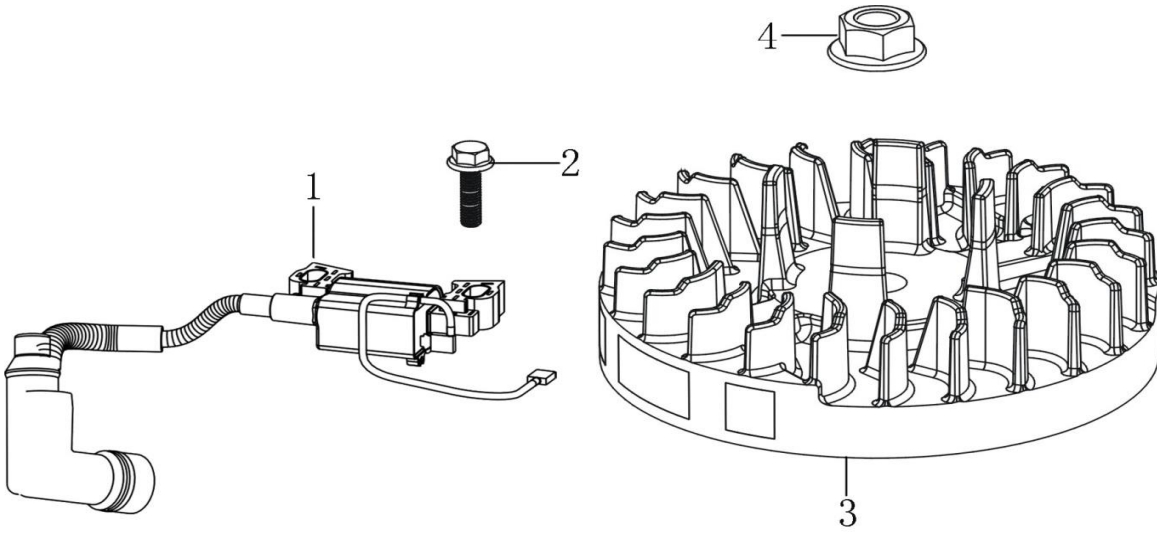
STARTER

No.	Part No.	Description	Reqd. QTY.
1	U065-FE135	Manual starting assembly	1
2	U065-FA065	Hexagon nut with flange	3
3	U065-FE107	Fan cover comp.	1

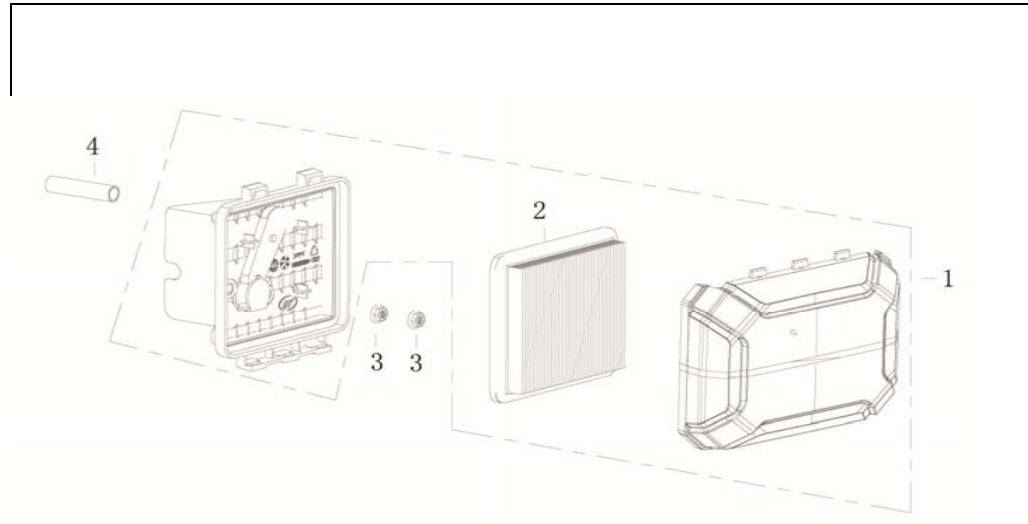


CARBURETOR

No.	Part No.	Description	Reqd. QTY.
1	U065-FA074	Carburetor gasket	1
2	U065-FE108	Heat insulating pad for carburetor	1
3	U065-FE061	Heat insulating plate for carburetor	1
4	U065-FE109	Carburetor	1
5	U070-FA039	Carburetor gasket	1
6	U065-FA073	Locker of choke valve pull rob	1

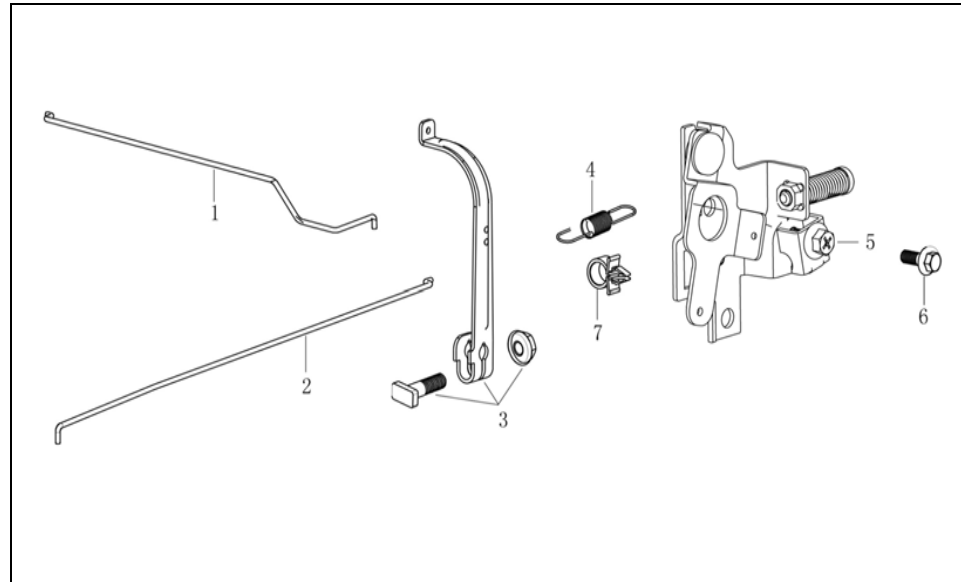


FLYWHEEL/IGNITION COMP			
No.	Part No.	Description	QTY
1	U065-FE110	COIL ASSY.,IGNNTION	1
2	U065-FE091	Hexagon bolt with flange	1
3	U065-FE136	FLYWHEEL COMP	1
4	U065-FA085	Hexagon nut with flange	1



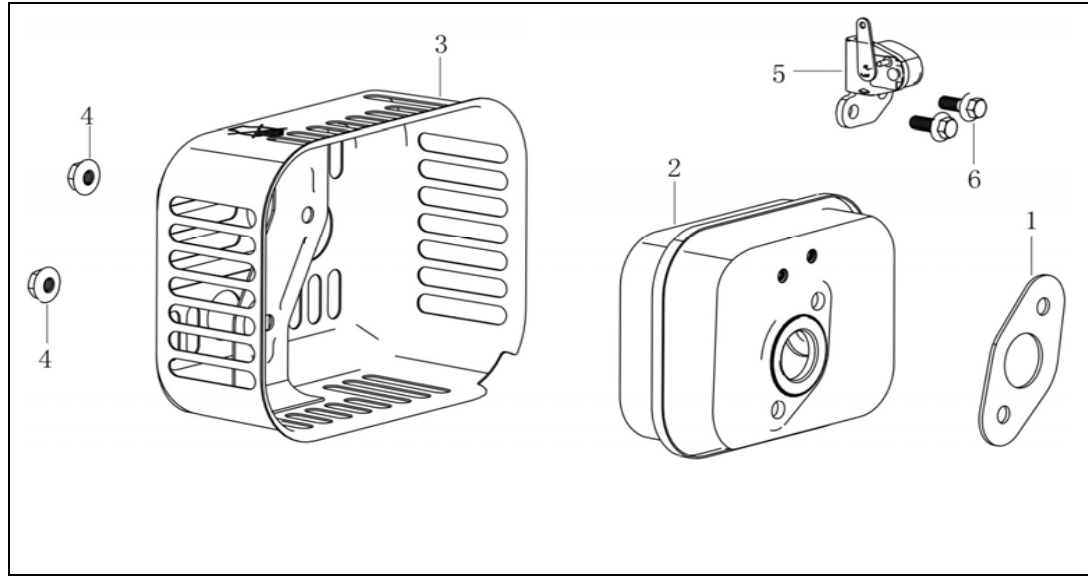
AIR CLEANER

No.	Part No.	Description	Reqd. QTY.
1	U065-FE113	Air filter	1
2	U065-FA087	Air filter element	1
3	U065-FA065	Hexagon nut with flange	2
4	U065-FE114	Breather tube	1



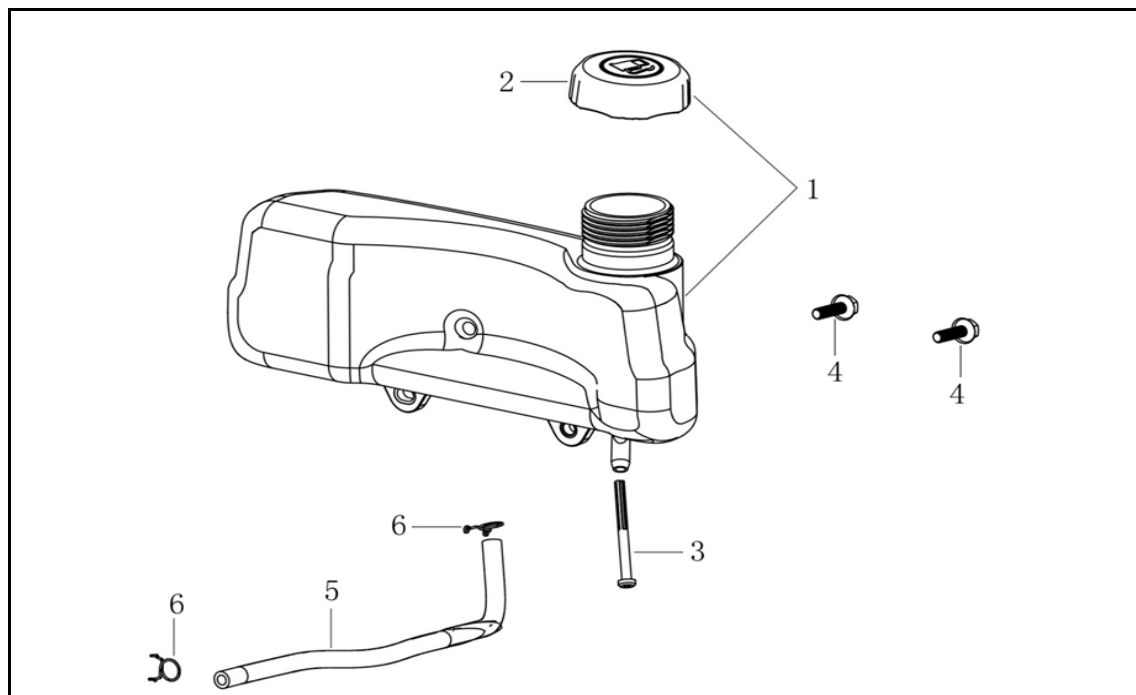
CONTROL

No.	Part No.	Description	Reqd. QTY.
1	U065-FE066	Choke valve pull rod	1
2	U065-FE115	Throttle rod	1
3	U065-FE036	Speed regulating bracket	1
4	U065-FE137	Governing spring	1
5	U065-FE138	Throttle handle combination	1
6	U065-FE016	Hexagon bolt with flange	1
7	U065-FA113	Location wire nail	1



MUFFLER

No.	Part No.	Description	Reqd. QTY.
1	U065-FE077	Muffler gasket	1
2	U065-FE142	Muffler	1
3	U065-FE119	Muffler guard shield	1
4	U065-FA100	Hexagon nut with flange	2
5	U065-FE065	Control components of choke valve	1
6	U065-FE016	Hexagon bolt with flange	2



FUEL TANK

No.	Part No.	Description	Reqd. QTY.
1	U065-FE139	Tank	1
2	U065-FA106	Tank cover	1
3	U065-FE140	Fuel filter	1
4	U065-FA035	Hexagon bolt with flange	2
5	U070-FA057	Oil tube	1
6	U065-FA115	Pipe clip	2