

Mikasa

PLATE COMPACTOR
MVC-F60R VAS
MVC-F60H VAS
PARTS LIST



MIKASA SANGYO CO.,LTD.

405-04305

PARTS REMARK INDEX

How to read the marks and remarks used in this parts book.

Section 1 : Explanation of Code Use In “MRK” Column

OO : Interchangeable between the new part and the old one.

XX : Not Interchangeable between new and old.

OX : New part is usable for the old machine but the old part is not usable for the new machine.

XO : The old part is usable for the new machine but the new part is not usable for the old machine.

Note : In case of the lack of interchangeability between the new part and old part, a new part may be used by replacing all other parts found in the assembly. In this case, refer to section 2 for instruction on identifying other parts involved in a new assembly.

AD : Newly established(added)

DC : Suspended(discontinued)

NC : Part number changed

QC : Quantity used has been changed

NS : Not supplied individually but supplied in an assembly or a group.

AS : Special part designed to allow interchangeability between new and old part.

CR : Correction

Section 2 : Items Found In “Remark” Column

Serial Numbers — Where indicated, this indicates a serial number range (inclusive) where a particular part is used.

Model Number — Where indicated, this shows that the corresponding part is utilized only with this specific model number or model number variant.

or * : All parts with the same number following # or * belong to the same assembly. this part cannot be interchanged individually with any other assemblies to replace an old part (indicated by #), with a new part(indicated by *), then all other parts of that assembly must be replaced with new ones.

Note : If more than one of the same reference number is listed, the last one listed indicates newest(or latest)part available.

Section 3: Example

REF NO.	PART NO.	PART NAME	QTY	MRK	REMARKS
457(1)	5122-09230	Hinge Metal, Upper/24g	1		-1070 #3 (5)
457(2)	5072-09420	Hinge Metal, Upper M16	1	OX(3)	U1071-(6) *3(7)

(1) Old part

(2) New part

(3) New part usable with old machine, but old part not usable with new machine (reference section 1).

(4) Old part number is used through this machine serial number.

(5) Old part, used in an assembly with other parts marked with #3. To use this part on a new machine, all other parts in this assembly must be replaced with old ones.

(6) New part put into use starting with this serial number and is still current.

(7) New part used in an assembly with other parts marked *3, to use this part as a replacement for an old part, all other *3 marked parts must be changed at the same time.

Section 4: Items Found In “MK2” Column

(only for suspended products)

! OO (“OO” is shown in figure) : The part shown in lower line is supplied.

! SD : Not available due to termination of production.

! NS : Not supplied individually, but supplied in an assembly or a group.

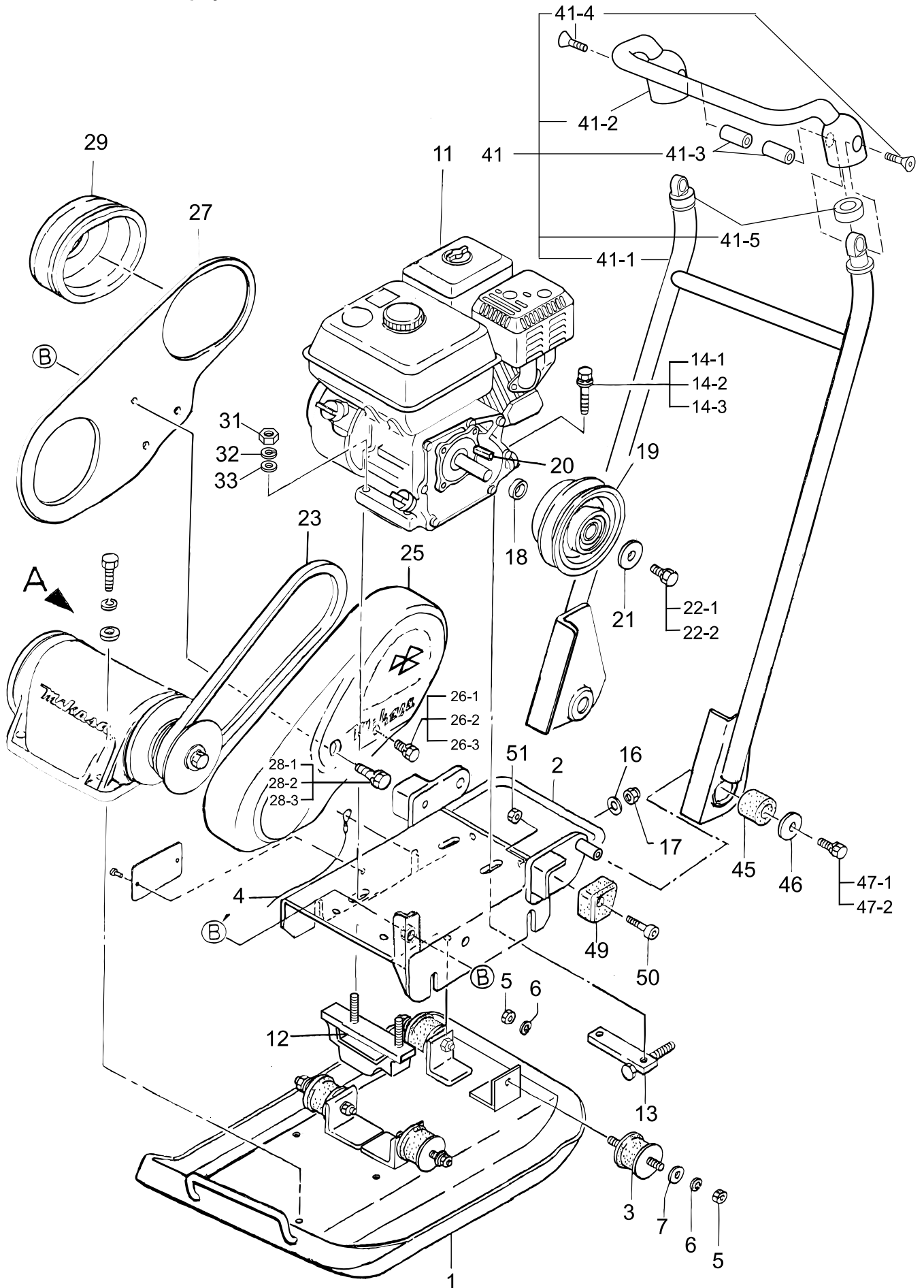
! PD : Supplied as unit product.

SS : Not available after stock run out.

(The contents of this parts catalog are subject to change without notice.)

MVC-F60R VAS / F60H VAS
BODY / 本体

40B1



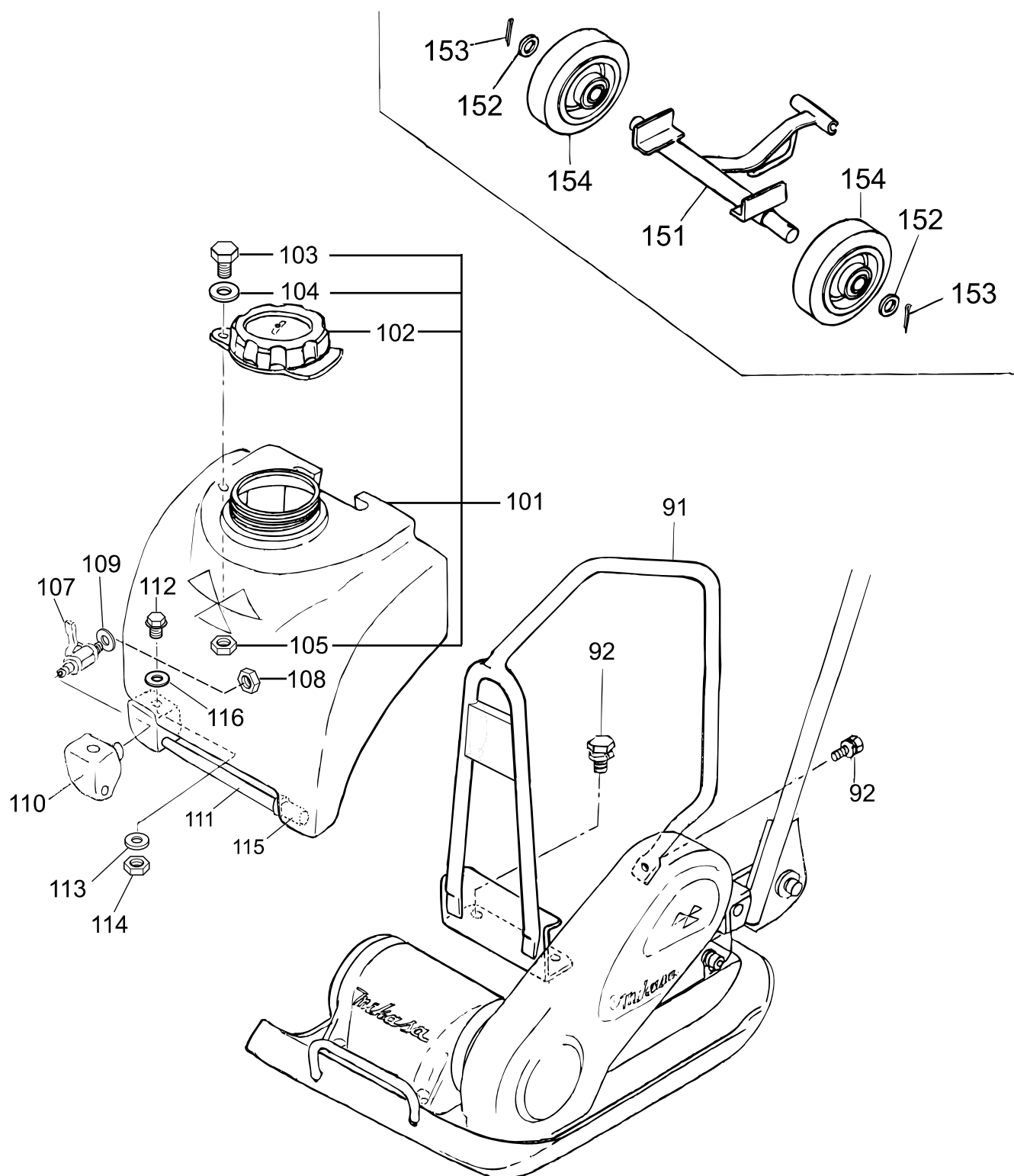
BODY

** 40B **

REF NO.	PART NO.	PART NAME	Q' TY	MRK	MK2	REMARKS
1	4181-18540	VIB. PLATE 570X350/MVC-F60	1			
2	4182-16890	BASE / MVC-F60SERIES	1			
2	4181-19060	BASE / MVC-F60SERIES	1	OX		
3	9390-10254	SHOK ABSORBER D45-H41	4			
4	9594-04350	EARTH WIRE	1			
5	0203-10080	NUT M10	8			
6	0302-10250	SW M10	8			
7	0311-10160	PW M10	4			
11	9122-12009	ENGINE AY/GX120U1SM12	1			GX120/MQ
11	9122-12010	ENGINE AY/GX120U1SM14	1			GX120/EXPORT
11	9112-21304	ENGINE AY EX13 EXP/BL/MM	1			EX13
12	4184-57690	BOLT, ENGINE/MVC-F60	1			
13	4134-36870	ENGINE NUT, REAR /MVC-60	1			
14 -1	0012-20840	BOLT 8X40 T	2			
14 -2	0302-08200	SW M8	2			
14 -3	0311-08160	PW M8	2			
16	0311-08160	PW M8	1			
17	0227-10809	NYLON NUT M8	1			
18	4044-18150	SPACER 18X25X8/CLUTCH	1			F60
19	4604-46780	CLUTCH AY A1 /65W	1			
20	032-00501-50	KEY	1			
21	9524-00130	WASHER 9304	1			
22 -1	0012-20825	BOLT 8X25 T	1			
22 -2	0302-08200	SW M8	1			
23	0701-00312	V-BELT RPF-3310	1			
25	4182-16470	BELT COVER MQ-OR/F60, 70	1			MQ-OR
25	4182-16460	BELT COVER / MVC-F60, F70	1	SX		EXP-GR
26 -1	0012-21035	BOLT 10X35 T	1			
26 -2	0302-10250	SW M10	1			
26 -3	0311-10160	PW M10	1			
27	4182-16480	BELT COVER (IN) /MVC-F60, 70	1			
28 -1	0012-21053	BOLT 10X65 T	1			
28 -2	0302-10250	SW M10	1			
28 -3	0311-10160	PW M10	1			
29	4183-43420	COVER SEAL (E/G) /F60, F70	1			
31	0203-08060	NUT M8	2			
32	0302-08200	SW M8	2			
33	0311-08160	PW M8	2			
41	4189-10070	VAS HANDLE ASSY /F60	1		SX	
41 -1	4182-17050	VAS HANDLE BODY/MVC-F60	1			
41 -2	4182-17060	GRIP, VAS HANDLE/MVC-F60	1			
41 -3	4164-59320	HANDLE NUT, VAS HANDLE/88G	2			
41 -4	0091-20407	SUNK HEAD BOLT 10X20 T	2			
41 -5	4164-59340	RUBBER, VAS HANDLE/MVC-88G	2			
45	4044-33430	RUBBER 20X32X28. 5/52H	2			
46	9524-03450	WASHER 11X35X4. 5	2			
47 -1	0012-21020	BOLT 10X20 T	2			
47 -2	0302-10250	SW M10	2			
49	4134-36720	RUBBER, HANDLE /MVC-60	2			
50	0015-20845	SOCKET HEAD BOLT 8X45 T	2			
51	0203-08060	NUT M8	2			

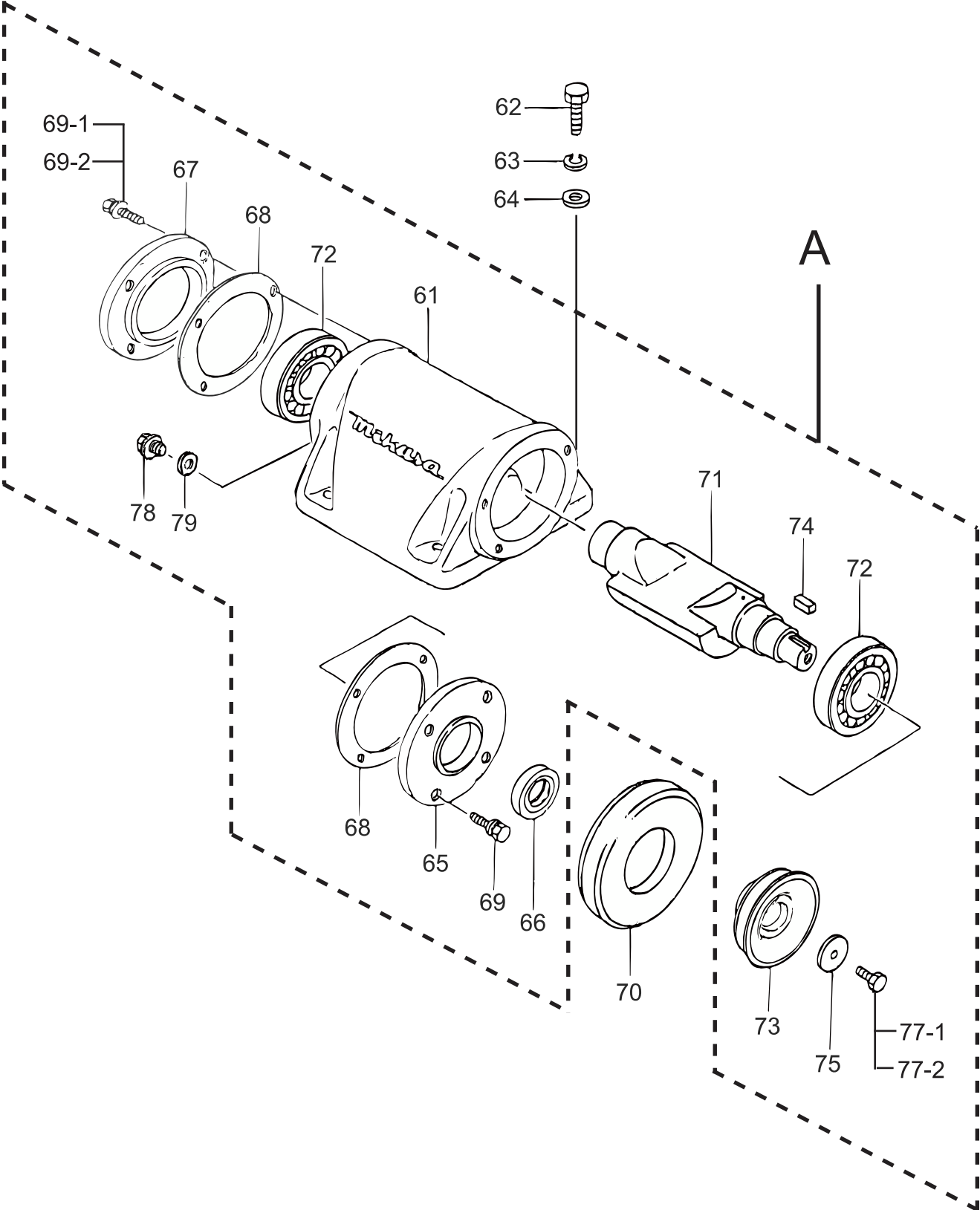
MVC-F60R VAS / F60H VAS

ACCESSORIES / 装備品 (フック、散水装置、移動車)



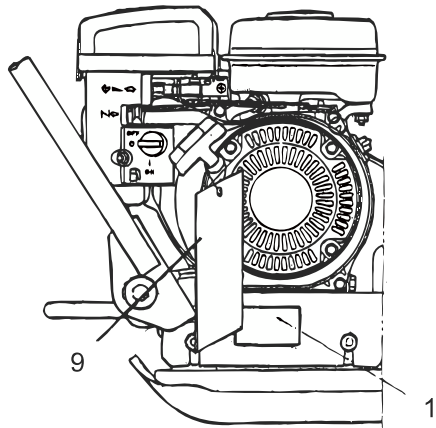
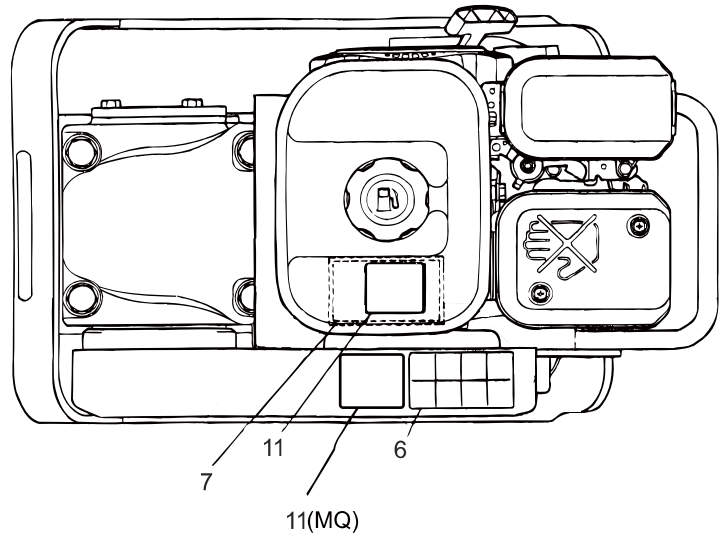
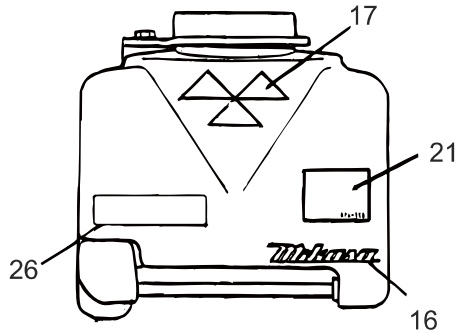
MVC-F60R VAS / F60H VAS
VIBRATOR / 起振体

4OD1

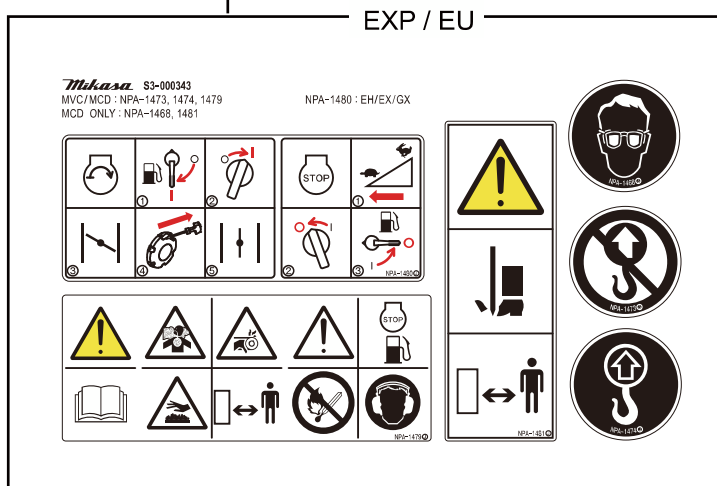


MVC-F60R VAS / F60H VAS NAME PLATES / 銘板

40E1



45





MIKASA SANGYO CO.,LTD.

HEAD OFFICE
NO. 4-3. 1-CHOME, SARUGAKU-CHO, CHIYODA-KU
TOKYO, JAPAN