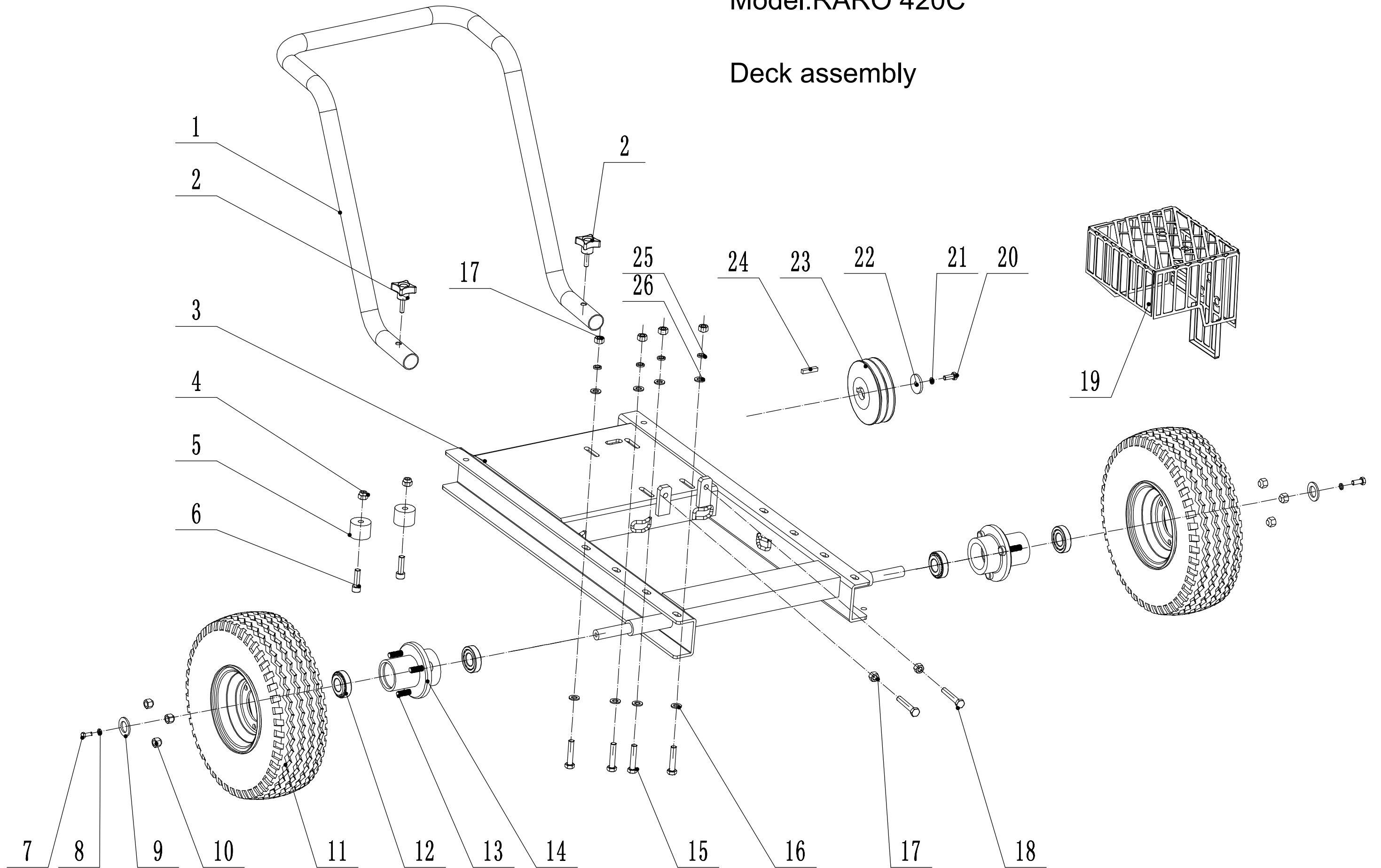


Model:RARO 420C

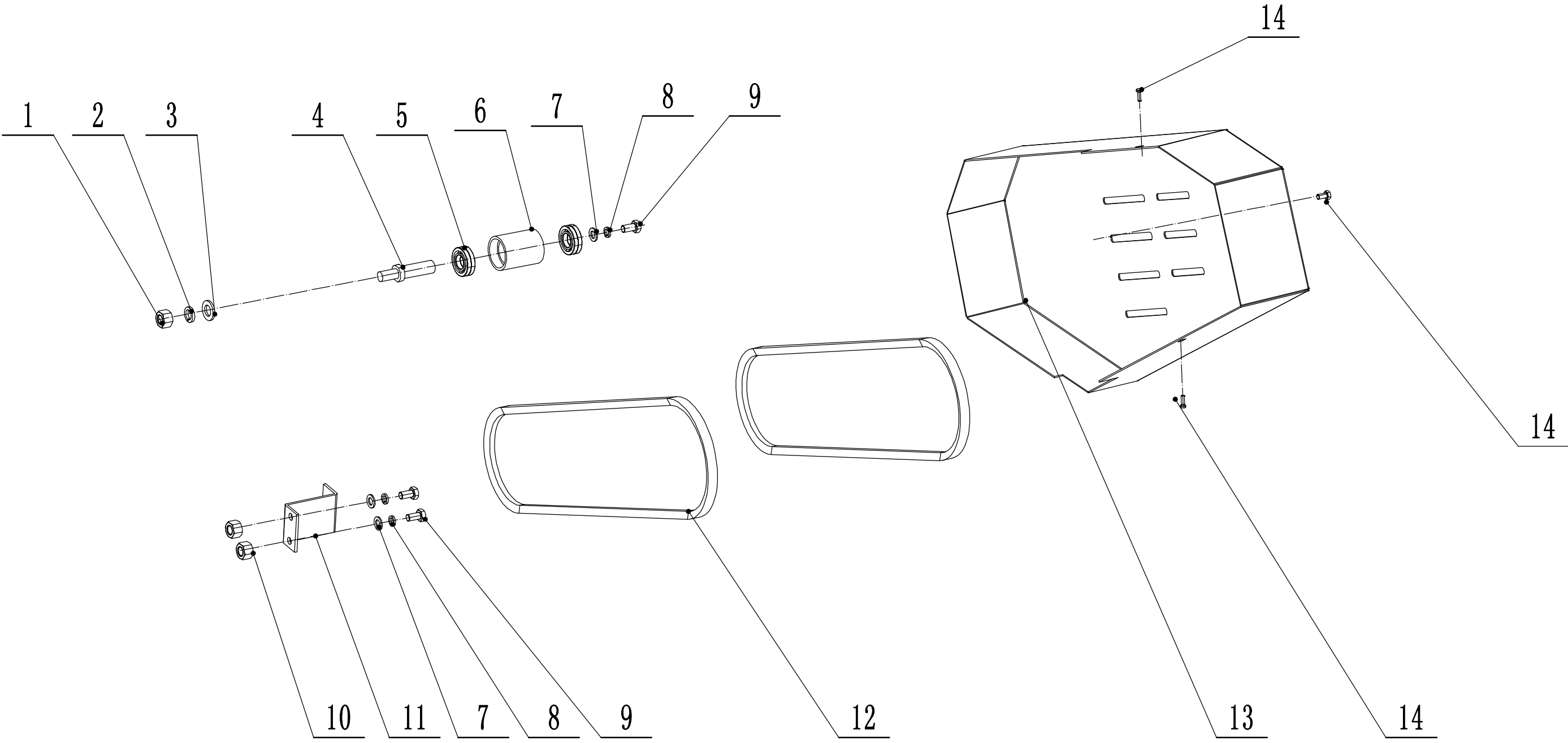
Deck assembly



Deck assembly			
No.	Name	art.	Qty
1	Handle weldment	UR420-00001	1
2	Star knob	UR420-00002	2
3	Deck welment	UR420-00003	1
4	Nut - M10	U537-00111	2
5	Cushion	UG700-00143	2
6	Screw - M10x35	UG700-00142	2
7	Bolt - M8x20	U537-00060	2
8	Spring washer - 8	U455-00053	2
9	Big washer - 8	UAE55-00052	2
10	Nut - M12	UR760-00139	6
11	Tire assembly	UR420-00004	2
12	Bearing	UZT85-00018	4
13	Bolt - M12x30	UR420-00005	6
14	shaft bush	UR420-00006	2
15	Bolt - M10x55	US270-00188	4
16	Washer - 10	UG700-00100	4
17	Nut - M10	UG806-00061	6
18	Bolt - M10x80	UA516-00037	2
19	Safety Cover	UR420-00007	1
20	Bolt - M8x35	U537-00023	1
21	spring washer	UR420-00008	1
22	Dish spring	U455-00049	1
23	Engine Pulley	UR420-00009	1
24	Key 7x7	UR420-00010	1
25	Spring washer - 10	UR200-00070	4
26	Washer - 10	U455-00029	4

Model:RARO 420C

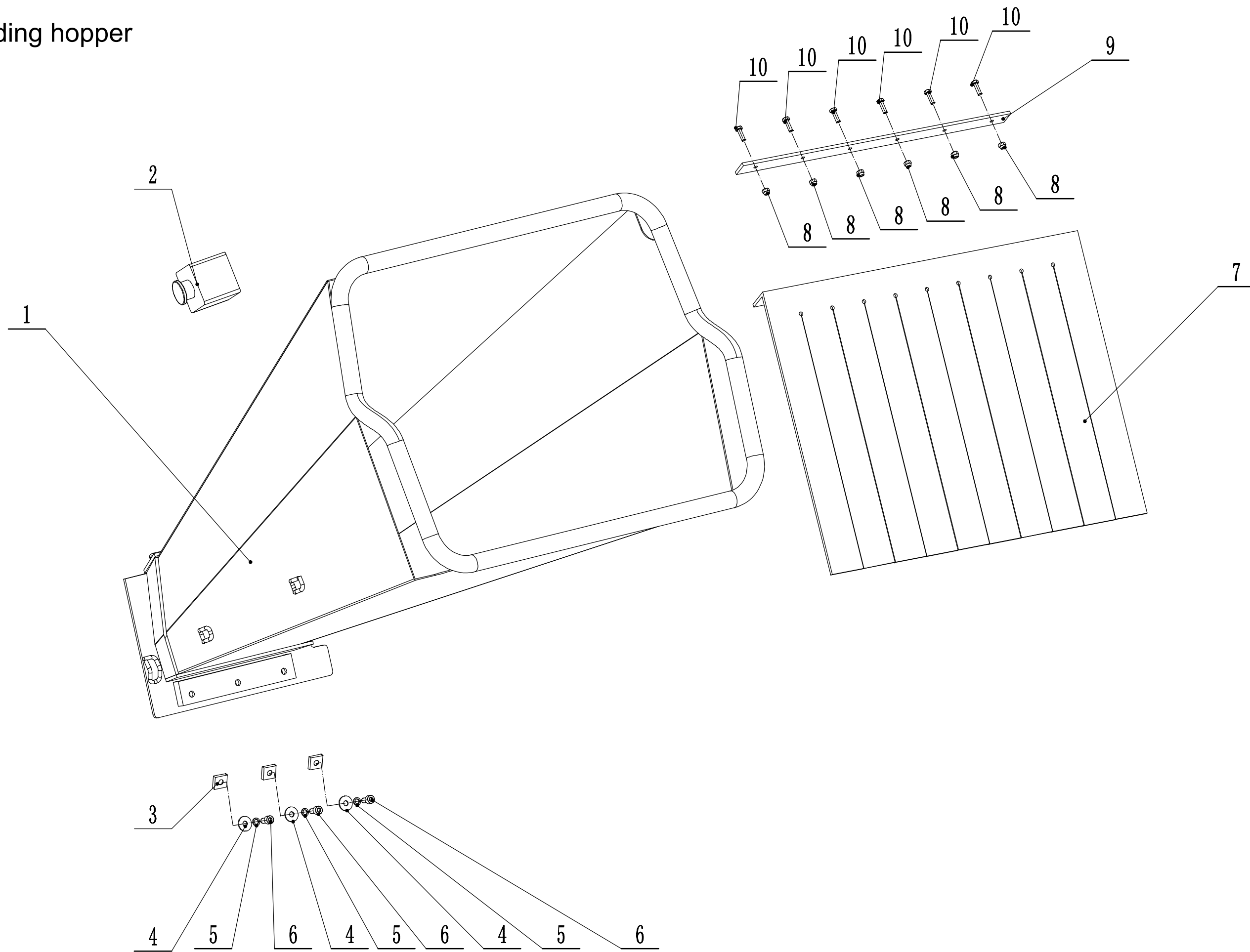
Pulley assembly



Pulley assembly			
No.	Name	art	Qty
1	Nut - M12	UR420-00011	1
2	Spring washer - 12	UR200-00075	1
3	Washer - 12	UR200-00074	1
4	Tensional pulley shaft	UR420-00012	1
5	Bearing	UR420-00013	2
6	Tensional pulley	UR420-00014	1
7	Washer - 8	U455-00061	3
8	Spring washer - 8	U455-00053	3
9	Bolt - M8x20	U537-00060	4
10	Nut - M8	U455-00007	2
11	Installation Base	UR420-00015	1
12	Belt	UR420-00016	2
13	Belt cover	UR420-00017	1
14	Screw - M8x25	UR420-00018	1

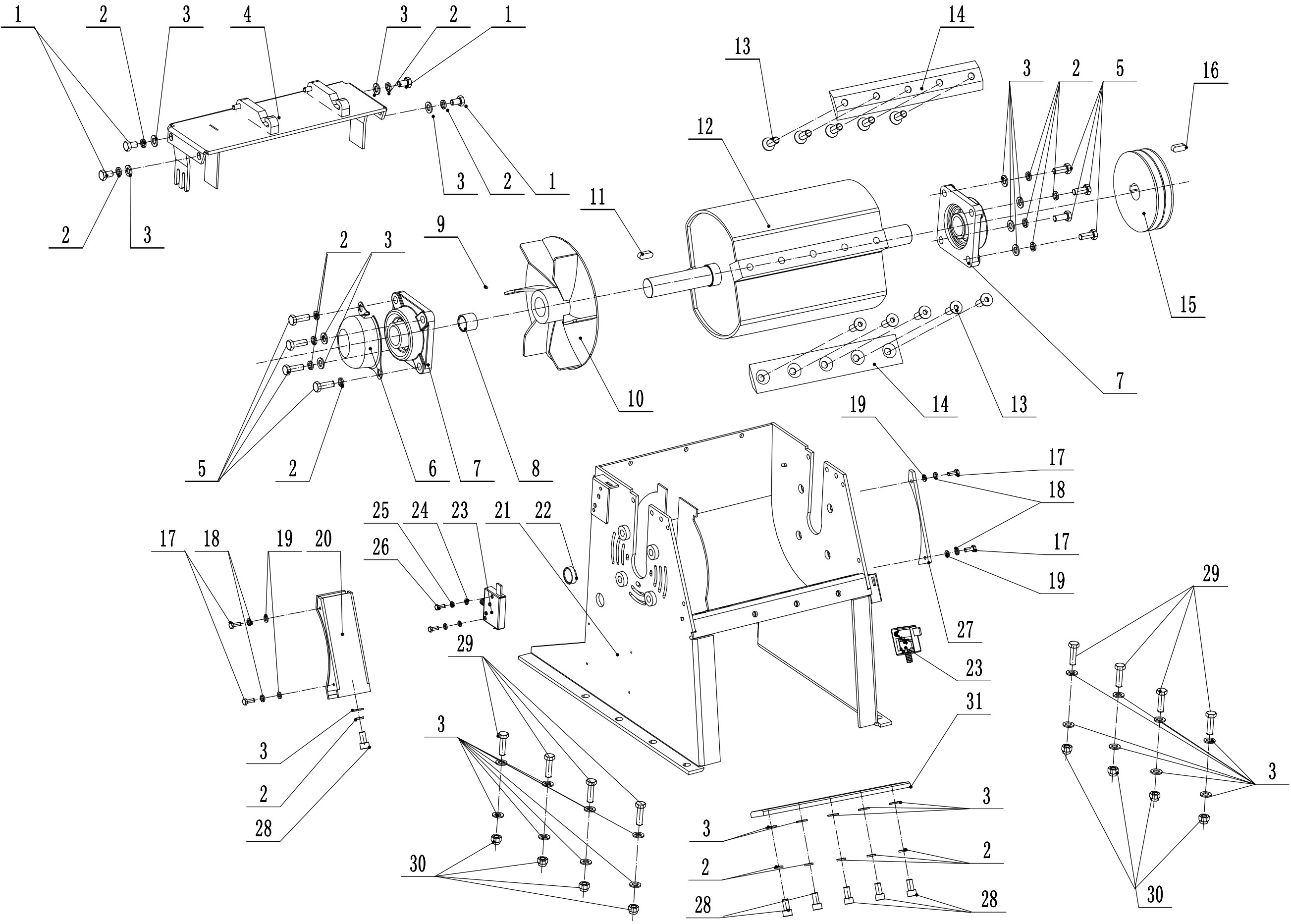
Model:RARO 420C

Feeding hopper



Feeding hopper			
No.	Name	art	Qty
1	Feeding hopper	UR420-00019	1
2	Stop Switch	UR420-00020	1
3	Washer - M10	UR420-00021	3
4	Big washer - 10	UG700-00100	3
5	Spring washer	UR200-00070	3
6	Screw - M10x60	UR420-00022	3
7	Rubber buffle	UR420-00023	1
8	Nut - M6	U455-00013	6
9	Pressing plate	UR420-00024	1
10	Bolt - M6x20	UG700-00055	6

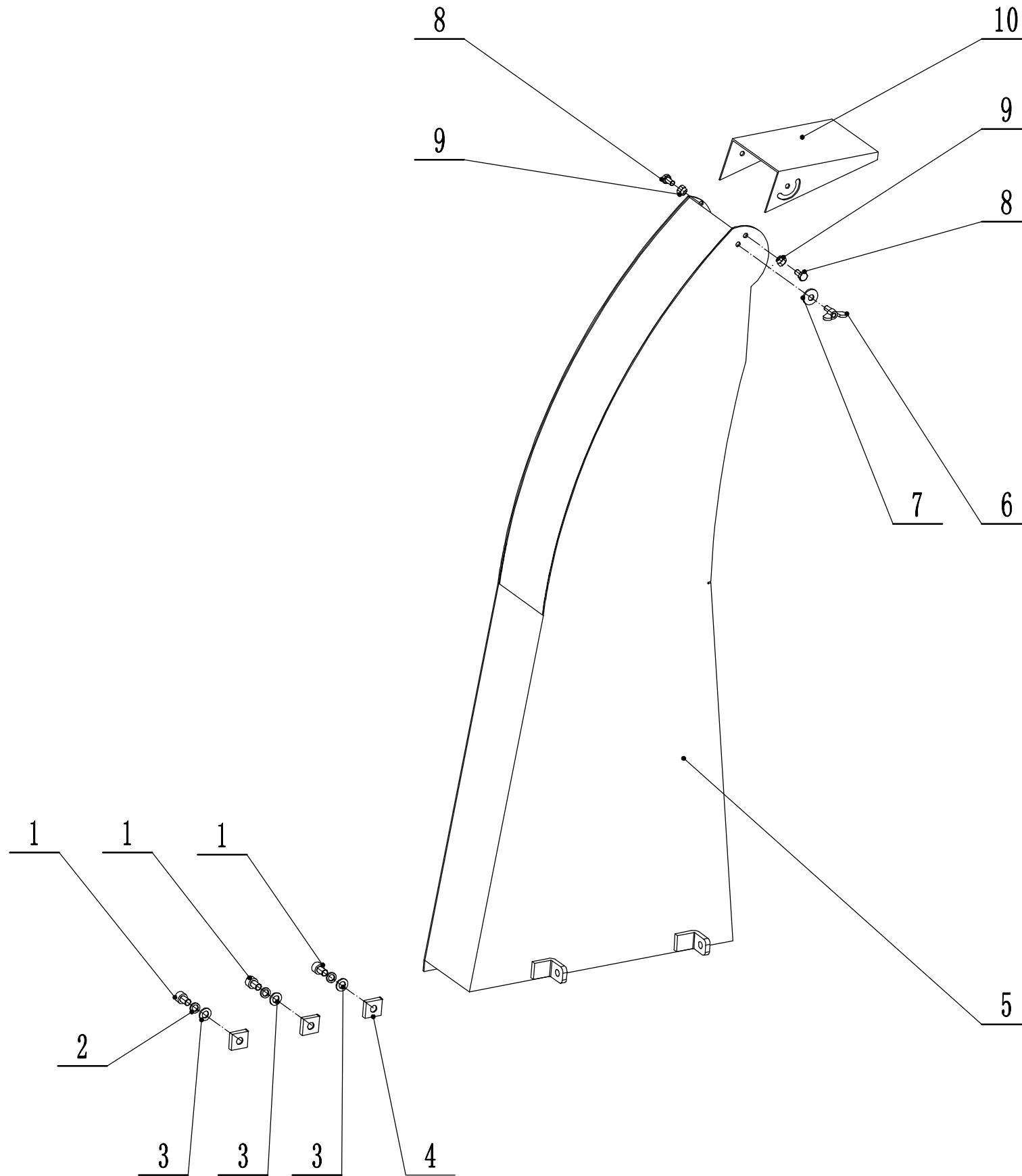
Blade box



Blade box			
No.	Name	art	Qty
1	Bolt - M10x16	UR420-00025	4
2	Spring washer - 10	UR200-00070	18
3	Washer - 10	U455-00029	26
4	Upper cover	UR420-00026	1
5	Bolt - M12x35	UR420-00027	8
6	Bearing shield	UR420-00028	1
7	Bearing	UR420-00029	2
8	Cushion	UR420-00030	1
9	Screw - M10x10	US270-00055	1
10	Blower disc	UR420-00031	1
11	Key	UR420-00032	1
12	Blade roller	UR420-00033	1
13	Bolt - M12x30	UR420-00034	10
14	Flail blade	UR420-00035	2
15	Pulley	UR420-00036	1
16	Key	UR420-00037	1
17	Bolt - M6x16	UG700-00138	4
18	Spring washer - 6	UG700-00056	4
19	Washer - 6	U455-00054	4
20	Blower disc buffle	UR420-00038	1
21	Box weldment	UR420-00039	1
22	Rubber ring	UR420-00040	1
23	Switch	UR420-00041	2
24	Washer - 5	U506-00049	4
25	Spring washer - 5	U506-00028	4
26	Bolt - M5x16	UG806-00023	4
27	Blade roller Buffle	UR420-00042	1
28	Screw - M10x20	UR420-00043	6
29	Bolt - M10x30	UT160-00083	8
30	Nut - M10	U537-00111	8
31	Bottom blade	UR420-00044	1

Model:RARO 420C

Outlet hopper



Outlet hopper			
No.	Name	art	Qty
1	Screw - M8x35	UR420-00045	2
2	Spring washer - 8	U455-00053	3
3	Washer - 8	U506-00058	3
4	Washer - 8	UR420-00046	3
5	Outlet hopper	UR420-00047	1
6	Dish bolt	UR420-00048	1
7	Washer - 6	U455-00044	1
8	Bolt - M6x12	U455-00009	2
9	Nut - M6	U455-00013	2
10	Outlet buffle	UR420-00049	1