

PARTS LIST

PB900 TORNADO

CONTENTS

| | |
|--|---------|
| 1. FRAME & BLOWER | 1 ~ 4 |
| 2. ENGINE (CYLINDER, CRANKCASE) | 5 ~ 8 |
| 3. ENGINE (CARBURETOR, FUEL TANK)..... | 9 ~ 12 |
| 4. ACCESSORIES, OPTIONAL PARTS | 13 ~ 14 |

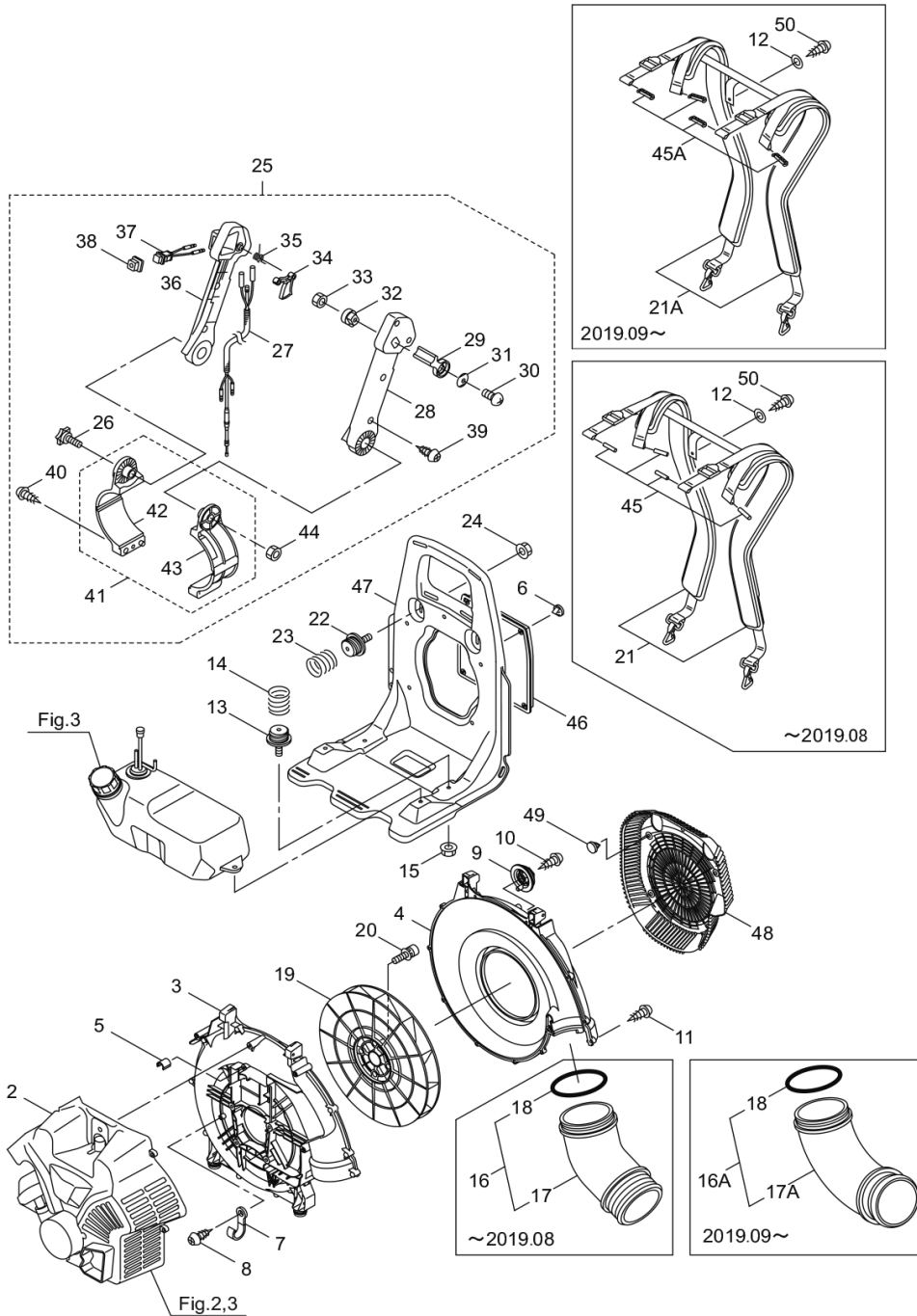
2018. 04.



MARUYAMA

P/N 524452-3

1. PB900 TORNADO
FRAME & BLOWER



- 1 -

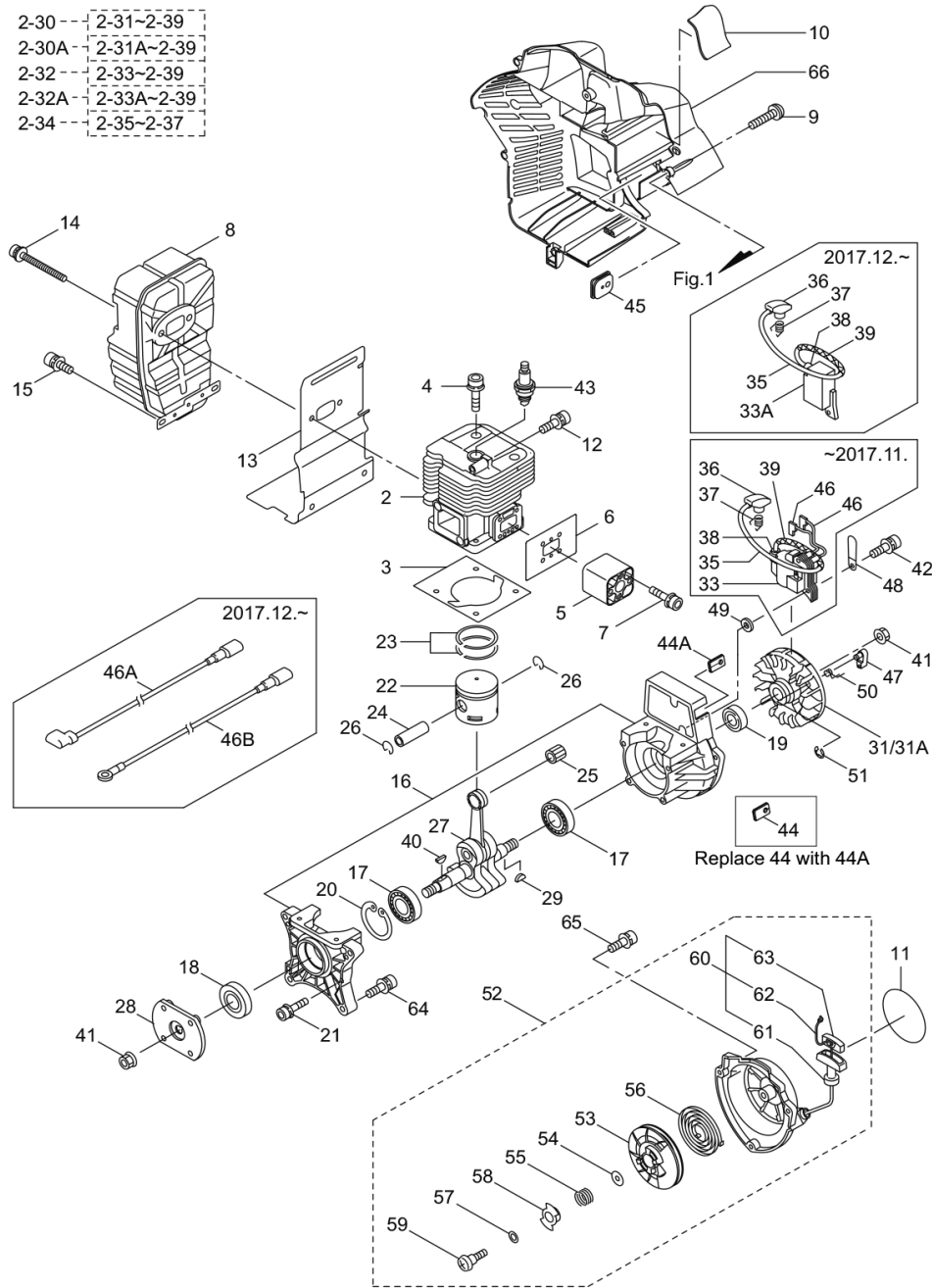
1

| Status | Position | Parts Number | Parts Name | Unit Quantity | Set Unit Quantity | Specification | Remarks | Maker code |
|--------|----------|--------------|-----------------|---------------|-------------------|---------------|----------|------------|
| | 1 | 395874 | PB900 TORNADO | 1 | | | | |
| | 2 | 278382 | ENGINE CE800/02 | 1 | | BL9000(EU01) | CE800/02 | |
| | 3 | 275864 | FAN CASE(E) | 1 | | アカ | | |
| | 4 | 275868 | FAN CASE(S) | 1 | | アカ | | |
| | 5 | 276361 | COLLAR | 1 | | | | |

| Status | Position | Parts Number | Parts Name | Unit Quantity | Set Unit Quantity | Specification | Remarks | Maker code |
|--------|----------|--------------|-----------------------|---------------|-------------------|---------------------------------------|--------------------------|------------|
| | 6 | 100749 | FASTNER | 4 | 5 | 3 rd 7 | #7 | |
| | 7 | 109051 | CLAMP | 1 | 5 | | | |
| | 8 | 082697 | TAPPING SCREW | 1 | 10 | 1 st M5X10 | M5x10 | |
| | 9 | 275966 | PLUG B | 2 | | | | |
| | 10 | 131523 | TAPPING SCREW | 2 | | 1 st 2 nd 5X20 | M5x20 | |
| | 11 | 130420 | TAPPING SCREW | 12 | | 1B st M5X25 | M5x25 | |
| | 12 | 261189 | WASHER | 1 | 5 | 6X16.5XT1.2 | 6x16.5xt1.2 | |
| | 13 | 275965 | PLUG A ASSY | 2 | | | | |
| | 14 | 275967 | SPRING | 2 | | 2.9-50L | 2.9-50L | |
| | 15 | 127228 | NUT | 2 | 10 | M6(3 rd 118) | M6 | |
| × | 16 | 275870 | FLEXIBLE PIPE | 1 | | | Incl.17,18 ~2019.08. | |
| | 16A | 661894 | FLEXIBLE PIPE ASSY | 1 | | BL9000 | Incl.17A,18 2019.09.~ | |
| | 17 | 275871 | ELBOW PIPE | 1 | | | ~2019.08. | |
| × | 17A | 661895 | | 1 | | 加 | 2019.09.~ | |
| | 18 | 275873 | O-RING | 1 | | V95 | V95 | |
| | 19 | 275874 | FAN | 1 | | 1 st 1 st | | |
| | 20 | 275877 | BOLT | 4 | | M6X25(W12.5X1.6) | M6X25 | |
| × | 21 | 134561 | KNAPSACK BAND | 1 | | MARUYAMA TM ナ シ | ~2019.08. | |
| | 21A | 662008 | KNAPSACK BAND ASSY | 1 | | | 2019.09.~ | |
| | 22 | 275965 | PLUG A ASSY | 2 | | | | |
| | 23 | 275967 | SPRING | 2 | | 2.9-50L | 2.9-50L | |
| | 24 | 127228 | NUT | 2 | 10 | M6(3 rd 118) | M6 | |
| | 25 | 275878 | THROTTLE ASSY | 1 | | BL9000(275878) | Incl.26-44 | |
| | 26 | 276459 | KNOB BOLT | 1 | | KGB M6X40 | M6x40 | |
| | 27 | 276297 | THROTTLE WIRE ASSY | 1 | | BL9000SP | | |
| | 28 | 275881 | THROTTLE CASE A | 1 | | | | |
| | 29 | 272721 | LEVER HANDLE | 1 | | スロットルバ TM - | | |
| | 30 | 273211 | SCREW | 1 | | 5X18 | 5x18 | |
| | 31 | 272724 | WAVE WASHER | 1 | | スロットルバ TM - | | |
| | 32 | 275883 | CONTROL LINK | 1 | | | | |
| × | 33 | 230662 | NUT | 1 | | M5 | M5 | |
| | 34 | 275885 | LEVER | 1 | | | | |
| | 35 | 275887 | SPRING | 1 | | | | |
| | 36 | 275888 | THROTTLE CASE B | 1 | | | | |
| | 37 | 275890 | STOP SWITCH ASSY | 1 | | | | |
| | 38 | 222138 | COVER SWITCH | 1 | | トウケミカ | | |
| | 39 | 235679 | SCREW | 4 | | | | |
| | 40 | 131523 | TAPPING SCREW | 1 | | 1 st 2 nd 5X20 | M5x20 | |
| | 41 | 275891 | BAND ASSY | 1 | | | Incl.42,43 | |
| | 42 | 275892 | BAND A | 1 | | | | |
| | 43 | 275894 | BAND B | 1 | | | | |
| | 44 | 127298 | NUT M6 | 1 | 5 | M6 2 nd | M6 | |
| | 45 | 125717 | SHAFT | 4 | | 1 st 1 st | ~2019.08. | |
| | 45A | 660404 | PIN | 4 | | | 2019.09.~ | |
| | 46 | 276460 | PAD | 1 | | | | |
| | 47 | 275898 | FRAME | 1 | | | | |
| | 48 | 275900 | GUARD | 1 | | | | |
| | 49 | 100749 | FASTNER | 5 | 5 | 3 rd 7 | #7 | |
| | 50 | 086069 | SCREW | 1 | | 1 st 2 nd M6X12 | M6x12 | |

2. PB900 TORNADO
ENGINE (CYLINDER, CRANKCASE)

- 2-30 -- 2-31~2-39
- 2-30A -- 2-31A~2-39
- 2-32 -- 2-33~2-39
- 2-32A -- 2-33A~2-39
- 2-34 -- 2-35~2-37



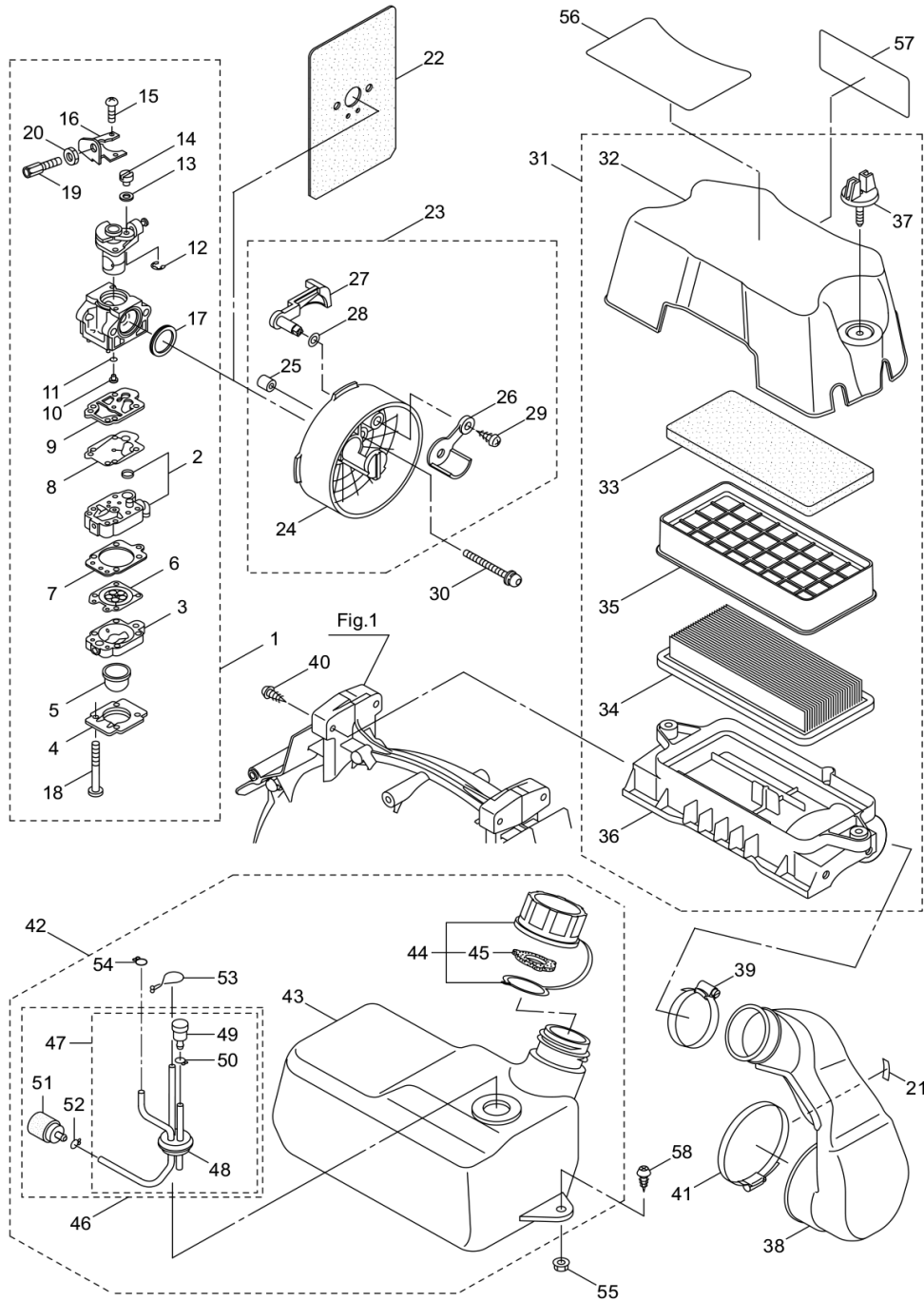
- 5 -

1

| Status | Position | Parts Number | Parts Name | Unit Quantity | Set Unit Quantity | Specification | Remarks | Maker code |
|--------|----------|--------------|-----------------|---------------|-------------------|---------------|----------|------------|
| | 1 | 278382 | ENGINE CE800/02 | 1 | | BL9000(EU01) | CE800/02 | |
| | 2 | 275765 | CYLINDER COMP | 1 | | | | |
| | 3 | 275760 | GASKET | 1 | | | | |
| | 4 | 261246 | CAP SCREW | 4 | 5 | M5X25 | M5x25 | |
| | 5 | 276109 | INSURATOR | 1 | | | | |
| | 6 | 276110 | GASKET | 1 | | | | |

| Status | Position | Parts Number | Parts Name | Unit Quantity | Set Unit Quantity | Specification | Remarks | Maker code |
|--------|----------|--------------|--------------------|---------------|-------------------|-----------------|-----------------------|------------|
| | 7 | 277832 | BOLT | 4 | | | M5x30 | |
| | 8 | 278384 | MUFFLER ASSY | 1 | | ワケ 275758 | | |
| | 9 | 131523 | TAPPING SCREW | 5 | | ボルト 271 5X20 | M5x20 | |
| | 10 | 277462 | GROMMET | 1 | | | | |
| | 11 | 134558 | | 1 | | PB900 | PB900 | |
| | 12 | 264223 | CAP SCREW M5X40 | 1 | 5 | M5X407 | M5x40 | |
| | 13 | 276111 | GASKET | 1 | | | | |
| | 14 | 261607 | CAP SCREW | 2 | 5 | M5X16WSW | M5x16 | |
| | 15 | 276154 | BOLT | 2 | | M6X70 | M6x70 | |
| | 16 | 276112 | CRANKCASE | 1 | | | | |
| | 17 | 276117 | BEARING | 2 | | 6302C3E | | |
| | 18 | 276118 | OIL SEAL | 1 | | ISCD154289"ワケ | | |
| | 19 | 262565 | OIL SEAL | 1 | | ISCD15257 | ISCD15257 | |
| | 20 | 276119 | CIRCLIP | 1 | | ワケ 942 | | |
| | 21 | 234636 | BOLT | 4 | | M5X35 WSW | M5x35 | |
| | 22 | 277475 | PISTON | 1 | | | | |
| | 23 | 275757 | PISTON RING | 2 | | | | |
| | 24 | 278019 | PISTON PIN | 1 | | | | |
| | 25 | 278471 | NEEDLE BEARING | 1 | | KBK12X15X14.3X5 | KBK12x15x14.3x5 | |
| | 26 | 276122 | CIRCLIP | 2 | | | | |
| | 27 | 276123 | SHAFT COMP | 1 | | | | |
| | 28 | 276129 | ADAPTOR | 1 | | | | |
| | 29 | 261076 | WOODRUFF KEY 3X10 | 1 | 5 | Aワ 3X10 | 3x10 | |
| × | 30 | 276100 | USE P/N 279804 | 1 | | | Incl.31-39 ~2017.11. | |
| | 30A | 279231 | | 1 | | UK-08989-101 | Incl.31A-39 2017.12.~ | |
| × | 31 | 276032 | ROTOR | 1 | | | ~2017.11. | |
| | 31A | 279232 | ROTOR | 1 | | | 2017.12.~ | |
| × | 32 | 276465 | IGNITION COIL ASSY | 1 | | SHIC | Incl.33-39 ~2017.11. | |
| | 32A | 279233 | IGNITION COIL ASSY | 1 | | | Incl.33A-39 2017.12.~ | |
| | 33 | 267401 | COIL | 1 | | 10735-30612 | ~2017.11. | |
| | 33A | 286095 | IGNITION COIL | 1 | | | 2017.12.~ | |
| | 34 | 276466 | WIRE ASSY | 1 | | | Incl.35-37 | |
| | 35 | 276467 | PLUG WIRE | 1 | | | | |
| | 36 | 282292 | PLUG CAP | 1 | | | | |
| | 37 | 261075 | CONNECTOR | 1 | | 10805-40061 | | |
| | 38 | 261072 | CAP | 1 | | ワケ 10855-40101 | | |
| | 39 | 276468 | TUBE | 1 | | | | |
| | 40 | 261076 | WOODRUFF KEY 3X10 | 1 | 5 | Aワ 3X10 | 3x10 | |
| | 41 | 276302 | NUT | 2 | | | | |
| | 42 | 281211 | CAP SCREW M4X20 | 2 | 5 | M4X20WSW | M4x20 | |
| | 43 | 288264 | SPARK PLUG | 1 | | NGK BPMR8Y | BPMR8Y | |
| | 44A | 279721 | GROMMET | 1 | | ワケ | | |
| | 45 | 285807 | GROMMET | 1 | | | | |
| | 46 | 281864 | LEAD | 1 | | 205B/4HCBH | ~2017.11. | |
| | 46A | 279193 | LEAD | 2 | | 275B/4HCBH | 2017.12.~ | |
| | 46B | 279194 | LEAD | 1 | | 260BM4HCBH | 2017.12.~ | |
| | 47 | 276133 | RATCHET | 2 | | | | |
| | 48 | 277770 | CLAMP | 1 | | | | |
| | 49 | 289481 | SPACER | 2 | 5 | 10X4.3T2.0 | | |
| | 50 | 262637 | RETURN SPRING | 2 | | | | |
| | 51 | 262638 | E-RING | 2 | | | | |
| | 52 | 276131 | STARTER ASSY | 1 | | | Incl.53-63 | |
| | 53 | 276035 | REEL | 1 | | | | |
| | 54 | 276036 | WASHER | 1 | | | | |
| | 55 | 276037 | SPRING | 1 | | | | |
| | 56 | 276038 | SPIRAL SPRING | 1 | | | | |
| | 57 | 276039 | WASHER | 1 | | | | |
| | 58 | 276040 | PLATE | 1 | | | | |
| | 59 | 276041 | SCREW | 1 | | | | |
| | 60 | 276042 | ROPE ASSY | 1 | | | Incl.61-63 | |
| | 61 | 276043 | STARTER ROPE | 1 | | | | |
| | 62 | 262633 | STARTER KNOB | 1 | | ワケ | | |
| | 63 | 262981 | CAP | 1 | | ワケ | | |
| | 64 | 275877 | BOLT | 4 | | M6X25(W12.5X1.6 | M6X25 | |
| | 65 | 267290 | CAP SCREW | 3 | 5 | M5X20WSW+ワ | M5x20 | |
| | 66 | 276163 | TOP COVER | 1 | | | | |

3. PB900 TORNADO
ENGINE (CARBURETOR, FUEL TANK)



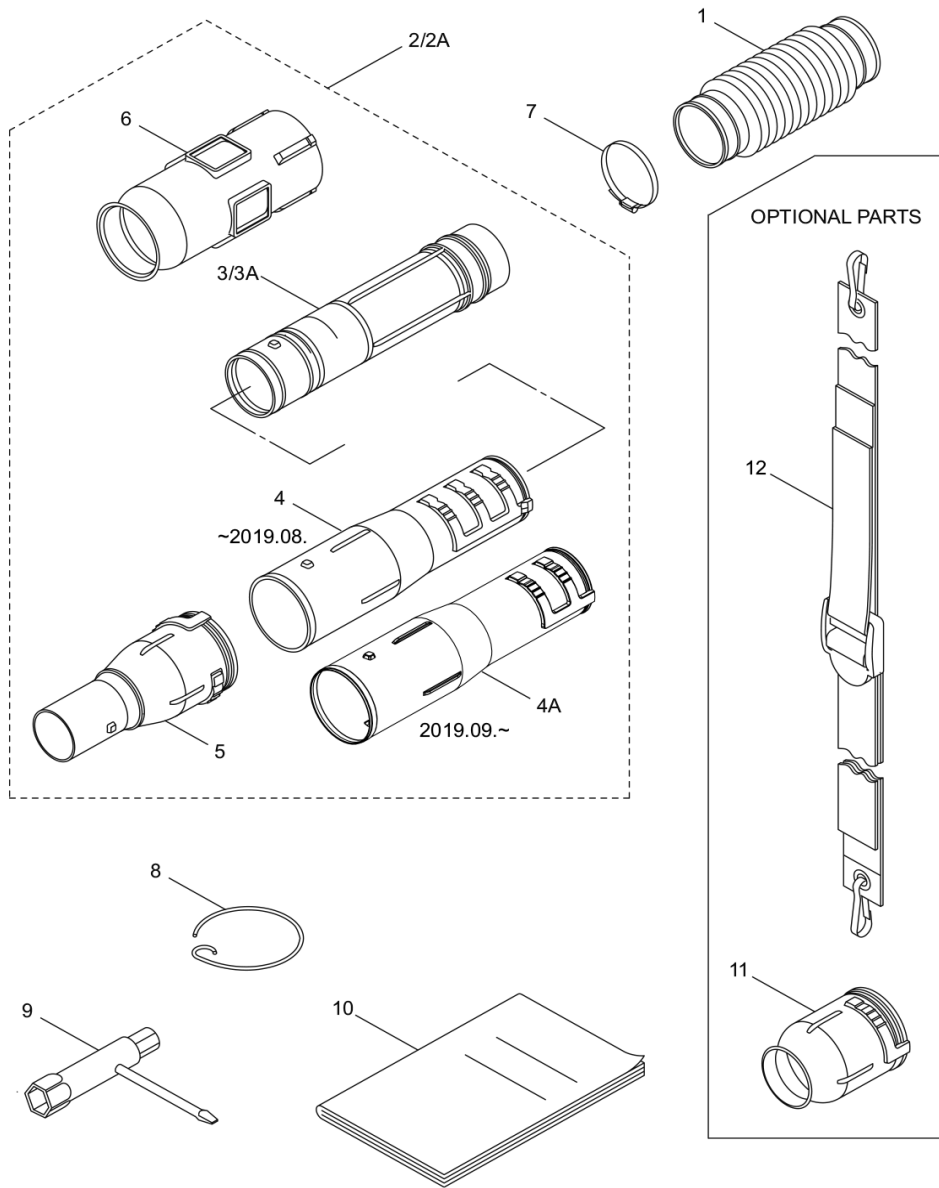
- 9 -

1

| Status | Position | Parts Number | Parts Name | Unit Quantity | Set Unit Quantity | Specification | Remarks | Maker code |
|--------|----------|--------------|---------------------|---------------|-------------------|---------------|-----------|------------|
| | 1 | 276045 | CABURETOR ASSY | 1 | | WYK-505 | Incl.2-20 | |
| | 2 | 263739 | CARBURETOR BODY | 1 | | WB5-2571 | | |
| | 3 | 262991 | PURGE BODY | 1 | | WB5-2557 | | |
| | 4 | 262992 | COVER | 1 | | WB21-3147 | | |
| | 5 | 261874 | PRIMER | 1 | | WB188-12 | | |
| | 6 | 283905 | DIAPHRAGM METERRING | 1 | | WB95-614 | | |
| | 7 | 262993 | GASKET | 1 | | WB92-359 | | |

| Status | Position | Parts Number | Parts Name | Unit Quantity | Set Unit Quantity | Specification | Remarks | Maker code |
|--------|----------|--------------|------------------------|---------------|-------------------|-------------------|-------------|------------|
| | 8 | 262994 | DIAPHRAGM | 1 | | WB95-99 | | |
| | 9 | 282576 | GASKET | 1 | | WB92-415 | | |
| | 10 | 286900 | JET | 1 | | 50 LONG | | |
| | 11 | 261871 | O-RING | 1 | | WB16-104 | | |
| | 12 | 261876 | RING | 1 | | WB16-71 | | |
| | 13 | 264678 | WASHER | 1 | 5 | WB136-221 | | |
| | 14 | 261658 | SWIVEL | 1 | | WB52-34 | | |
| | 15 | 261875 | SCREW | 1 | | WB96-323 | | |
| | 16 | 264677 | BRACKET | 4 | | WB167-143 | | |
| | 17 | 261657 | PACKING | 1 | | WB16-171 | | |
| | 18 | 262996 | SCREW | 4 | 5 | WB96-425 | | |
| | 19 | 261877 | SCREW | 1 | | WB96-412 | | |
| | 20 | 261878 | NUT | 1 | 5 | M6 3ｼ1 | | |
| | 21 | 277762 | LABEL | 1 | | ﾀﾞｲｸﾞ | | |
| | 22 | 276134 | GASKET | 1 | | | | |
| | 23 | 276150 | CASE ASSY | 1 | | | Incl.24-29 | |
| | 24 | 276151 | CASE BODY | 1 | | | | |
| | 25 | 277830 | SLEEVE | 2 | | | | |
| | 26 | 276152 | DISC | 1 | | | | |
| | 27 | 276153 | LEVER | 1 | | | | |
| | 28 | 284816 | WASHER | 1 | 5 | 6.4X11X0.15 | 6.4x11x0.15 | |
| | 29 | 269032 | SCREW | 1 | 5 | ﾀﾞｲｸﾞ ﾏﾞｼﾞﾝ 3.5X8 | | |
| | 30 | 274106 | BOLT | 2 | | M5X55WSWﾎﾞ | M5x55 | |
| | 31 | 276463 | AIR CLEANER BOX ASSY | 1 | | | Incl.32-37 | |
| | 32 | 276155 | AIR CLEANER BOX COVER | 1 | | | | |
| | 33 | 276143 | ELEMENT | 1 | | | | |
| | 34 | 276139 | AIR CLEANER | 1 | | | | |
| | 35 | 276157 | AIR CLEANER BOX ASSY | 1 | | | | |
| | 36 | 276159 | AIR CLEANER BOX ASSY | 1 | | | | |
| | 37 | 276999 | BOLT | 2 | | ｶ | | |
| | 38 | 276161 | INTAKE PIPE | 1 | | | | |
| | 39 | 277547 | CLAMP ASSY | 1 | | ｺﾞﾙﾄﾞ 55 | #55 | |
| | 40 | 086071 | TAPPIN SCREW | 4 | 5 | ﾀﾞｲｸﾞ 2ｼ1 M6X16 | M6x16 | |
| | 41 | 661260 | CLAMP ASSY | 1 | | ｺﾞﾙﾄﾞ 90 | #90 | |
| | 42 | 134754 | TANK ASSY | 1 | | | Incl.43-54 | |
| | 43 | 277090 | FUEL TANK | 1 | | | | |
| | 44 | 131319 | TANK CAP ASSY | 1 | | | Incl.45 | |
| | 45 | 287058 | PACKING | 1 | | | | |
| | 46 | 276092 | FUEL PIPE PICK-UP ASSY | 1 | | EVAP0 | Incl.47-52 | |
| | 47 | 276355 | PIPE ASSY | 1 | | | Incl.48-50 | |
| | 48 | 268065 | GROMMET | 1 | | 3ﾌﾞﾗ | | |
| | 49 | 261590 | BREATHER SUB ASSY | 1 | | | | |
| | 50 | 261117 | CLIP | 1 | | | | |
| Δ | 51 | 267328 | FUEL FILTER ASSY | 1 | | 125-532 | | |
| | 52 | 261117 | CLIP | 1 | | | | |
| | 53 | 131328 | CLAMP | 1 | | OLS-115 | | |
| | 54 | 261117 | CLIP | 1 | | | | |
| | 55 | 125277 | NUT | 2 | 5 | ﾀﾞｲｸﾞ ﾏﾞﾙﾄﾞ ｼﾚｯﾄ | | |
| | 56 | 134410 | | 1 | | PB900 | PB900 | |
| | 57 | 134411 | | 1 | | PB900ｺﾞﾙﾄﾞ | PB900 | |
| | 58 | 127221 | SCREW | 2 | 5 | M6X16 | M6x16 | |

4. PB900 TORNADO
ACCESSORIES, OPTIONAL PARTS



- 13 -

1

| Status | Position | Parts Number | Parts Name | Unit Quantity | Set Unit Quantity | Specification | Remarks | Maker code |
|--------|----------|--------------|--------------------|---------------|-------------------|---------------|-----------------------------|------------|
| | 1 | 275906 | FLEXIBLE PIPE | 1 | | ㇿ | | |
| Δ | 2 | 275908 | PIPE ASSY | 1 | | | Incl.3-6 ~2019.08. | |
| | 2A | 661877 | PIPE ASSY | 1 | | | Incl.3A,4A,5,6 2019.09.~ | |
| × | 3 | 275909 | FLEXIBLE PIPE ASSY | 1 | | | ~2019.08. | |
| | 3A | 661873 | FLEXIBLE PIPE ASSY | 1 | | | 2019.09.~ | |

| Status | Position | Parts Number | Parts Name | Unit Quantity | Set Unit Quantity | Specification | Remarks | Maker code |
|--------|----------|--------------|--------------------|---------------|-------------------|---------------|-------------|------------|
| × | 4 | 275914 | STRAIGHT BLOW PIPE | 1 | | ㇀ | ~2019.08. | |
| | 4A | 661563 | STRAIGHT BLOW PIPE | 1 | | ㇀ | 2019.09.~ | |
| | 5 | 275916 | BLOW PIPE | 1 | | ㇀ | | |
| | 6 | 276352 | TORNADE TIP | 1 | | | | |
| | 7 | 130208 | CLAMP ASSY | 2 | | ㇀`105 | #105 | |
| | 8 | 128924 | CLAMP | 2 | | BL8200 | | |
| | 9 | 288652 | COMBI BOX SPANNER | 1 | | 13X19(-)L190 | 13x19 L=190 | |
| | 10 | 134559 | | 1 | | PB900 | PB900 | |
| | 11 | 278009 | BLOW PIPE | 1 | | ㇀ | | |
| | 12 | 125439 | HIP BELT ASSY | 1 | | | | |