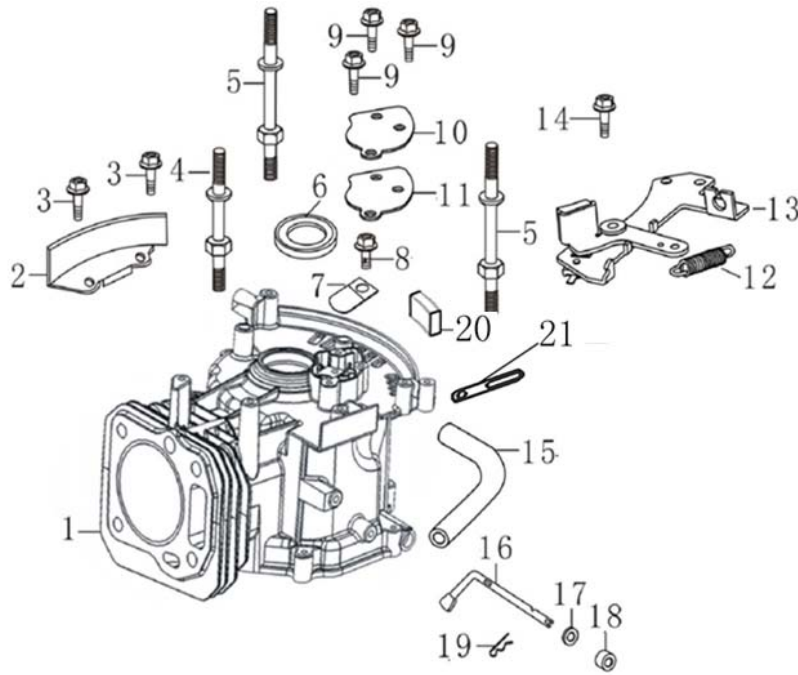
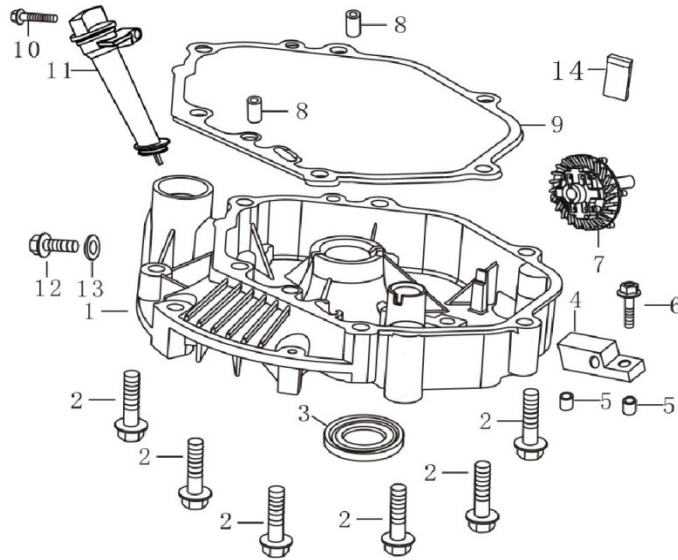


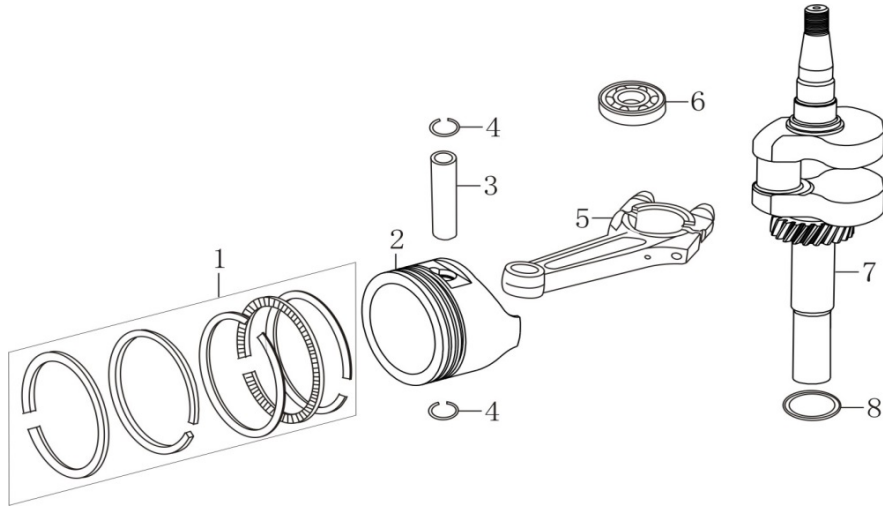
<b>(CYLINDER HEAD)</b>			
<b>No.</b>	<b>Art</b>	<b>Name</b>	<b>QTY</b>
1	U070-FC000	Hexagon shaft shoulder bolt	5
2	U070-FC001	Cylinder head cover	1
3	U070-FC002	Gasket for cylinder head cover	1
4	U070-FC003	Spark plug	1
5	U065-FA005	Hexagon bolt with flange	4
6	U070-FC004	Cylinder head	1
7	U070-FC005	Stud	2
8	U070-FA004	Stud	2
9	U070-FC006	Gasket for cylinder head	1
10	U065-FA010	ocation pin	2



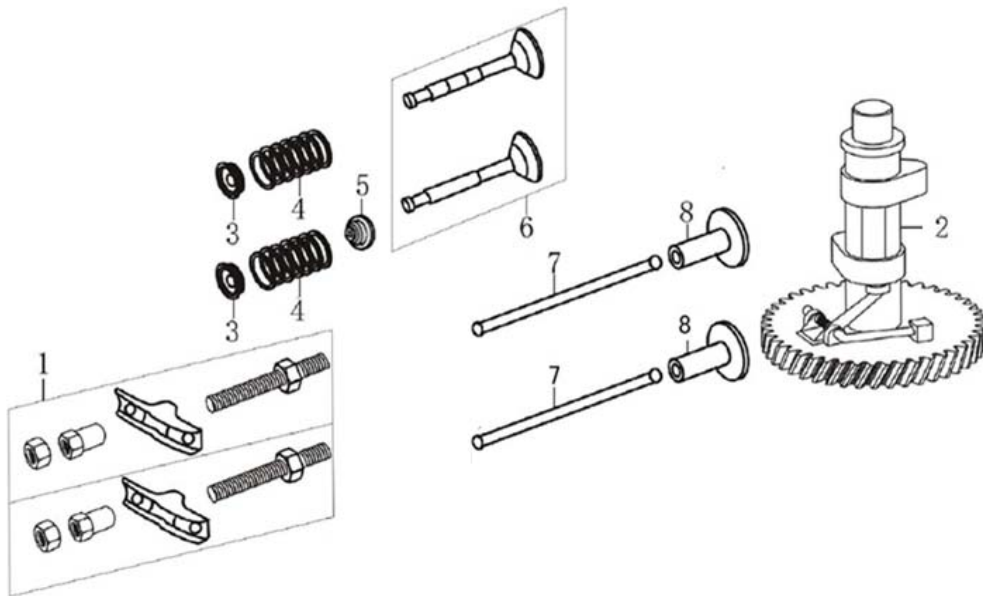
CRANK CASE			
No.	Art	Name	QTY
1	U070-FC007	Crankcase body	1
2	U065-FA012	Side plate	1
3	U065-FA013	Hexagon bolt with flange	2
4	U070-FA007	Stay stud	1
5	U070-FA008	Stay stud	2
6	U065-FA016	Oil seal	1
7	U070-FC008	Leaf valve	1
8	U065-FA018	Hexagon bolt with flange	1
9	U065-FA019	Hexagon bolt with flange	3
10	U070-FA009	CAP,BREATHER CHAMBER	1
11	U070-FA010	PACKING, BREATHER CHAMBER	1
12	U065-FA022	Tension spring	1
13	U070-FA055	Engine brake	1
14	U065-FA024	Hexagon bolt with flange	1
15	U070-FC009	Breather tube	1
16	U070-FC010	Speed regulating arm	1
17	U065-FA027	Flat washer	1
18	U065-FA028	Oil seal	1
19	U065-FA029	Pin clip	1
20	U070-FC011	Engine oil Strainer	1
21	U070-FC012	Cable cleat	1



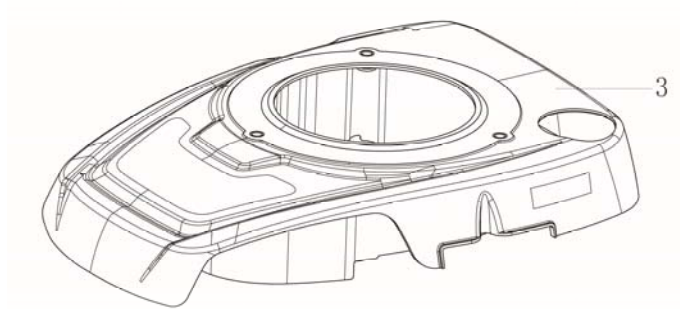
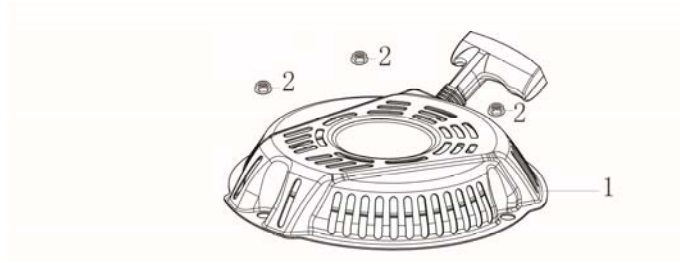
CRANK CASE COVER			
No.	Art	Name	QTY
1	U070-FA059	Crankcase cover	1
2	U070-FA014	Hexagon bolt with flange	6
3	U065-FA033	Oil seal	1
4	U065-FA037	Governor gear pressing plate	1
5	U065-FA034	ocation pin	2
6	U065-FA035	Hexagon bolt with flange	1
7	U070-FC013	Components of governor gear	1
8	U065-FA039	ocation pin	2
9	U070-FA023	Crankcase cover gasket	1
10	U065-FA044	Hexagon bolt with flange	1
11	U065-FA043	Oil rule combination	1
12	U065-FA041	Sealing plug screw	1
13	U065-FA042	Flat washer	1
14	U065-FA040	Engine oil return block	1



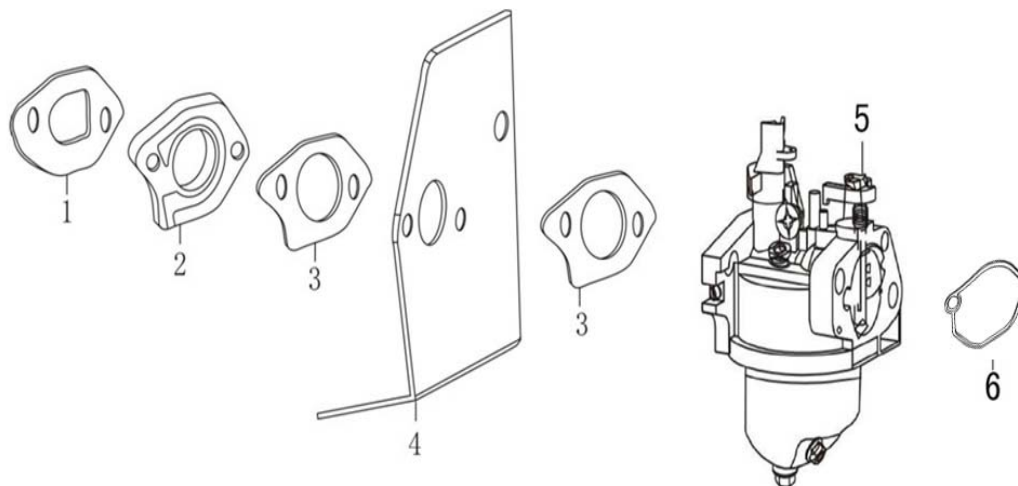
CRANKSHAFT/PISTON			
No.	Art	Name	QTY
1	U070-FC014	Piston ring combination	1
2	U070-FC015	Piston	1
3	U065-FA047	Piston pin	1
4	U065-FA048	Steel cable baffle ring	2
5	U070-FA026	Connecting rod	1
6	U065-FA050	Bearing	1
7	U070-FA027	crankshaft	1
8	U065-FA052	Flat washer	1



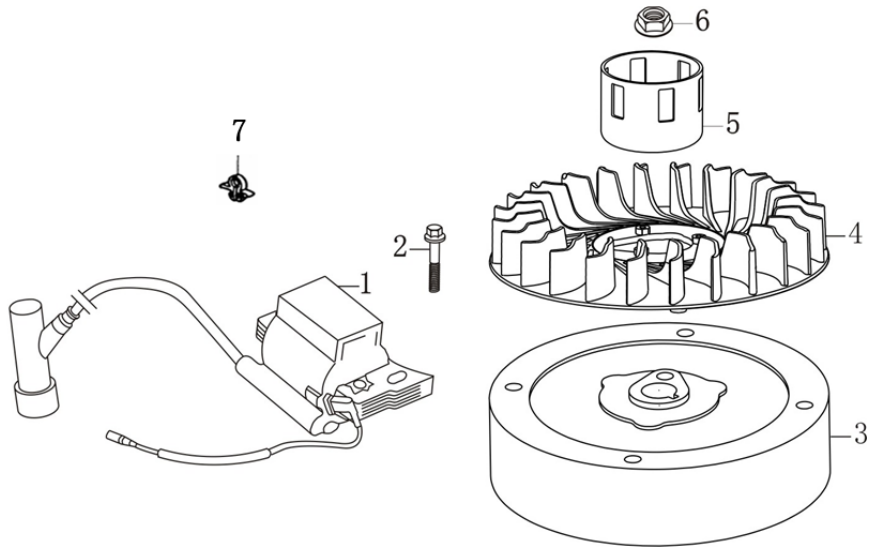
CAMSHAFT			
No.	Art	Name	QTY
1	U070-FC016	Valve rocker combination	1
2	U070-FC017	Camshaft assy	1
3	U065-FA054	Retainer, valve spring	2
4	U065-FA055	Inner spring of valve	2
5	U065-FE102	Valve oil seal	1
6	U070-FC018	Valve Kit	1
7	U070-FC019	Push rod	2
8	U065-FA059	Lifter, Valve	2



<b>STARTER</b>			
<b>No.</b>	<b>Art</b>	<b>Name</b>	<b>Reqd. QTY</b>
1	U070-FA034	Manual starting components	1
2	U065-FA065	Hexagon nut with flange	3
3	U070-FA035	Fan cover comp.	1

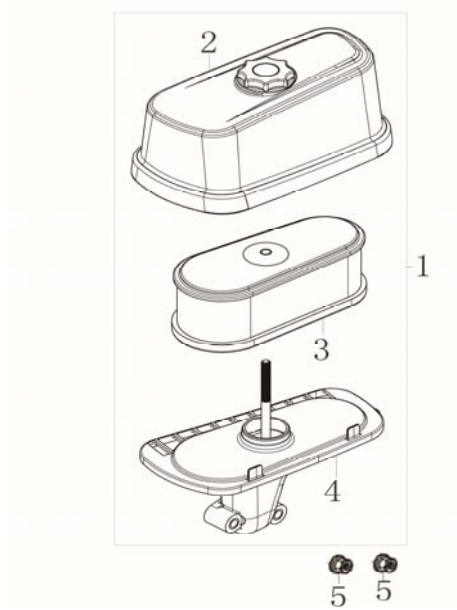


<b>CARBURETOR</b>			
<b>No.</b>	<b>Art</b>	<b>Name</b>	<b>Reqd. QTY</b>
1	U070-FC020	Carburetor gasket	1
2	U070-FC021	Heat insulating pad for carburetor	1
3	U065-FA076	Carburetor gasket	2
4	U065-FA077	Heat insulating plate for carburetor	1
5	U070-FC022	Carburetor	1
6	U070-FA039	Carburetor gasket	1

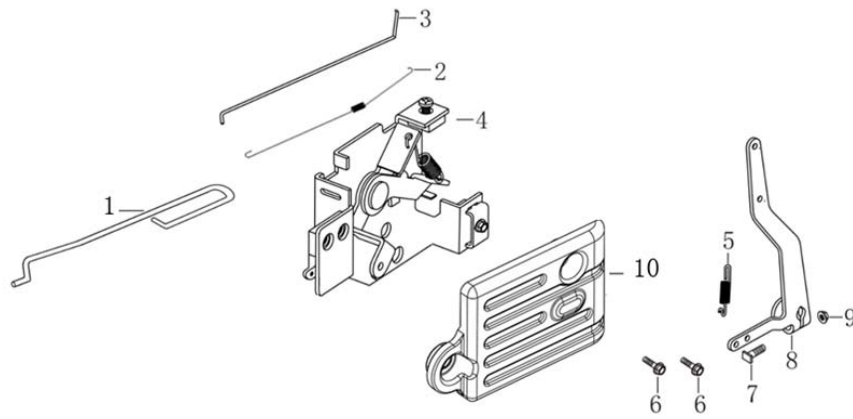


FLYWHEEL/Ignition Comp			
No.	Art	Name	Reqd. QTY
1	U070-FC023	COIL ASSY.,IGNNTION	1
2	U065-FA024	Hexagon bolt with flange	1
3	U065-FA082	FLYWHEEL COMP	1
4	U065-FA083	Impeller	1
5	U065-FA084	Starting disc	1
6	U065-FA085	Hexagon nut with flange	1
7	U070-FC024	Location wire nail	1

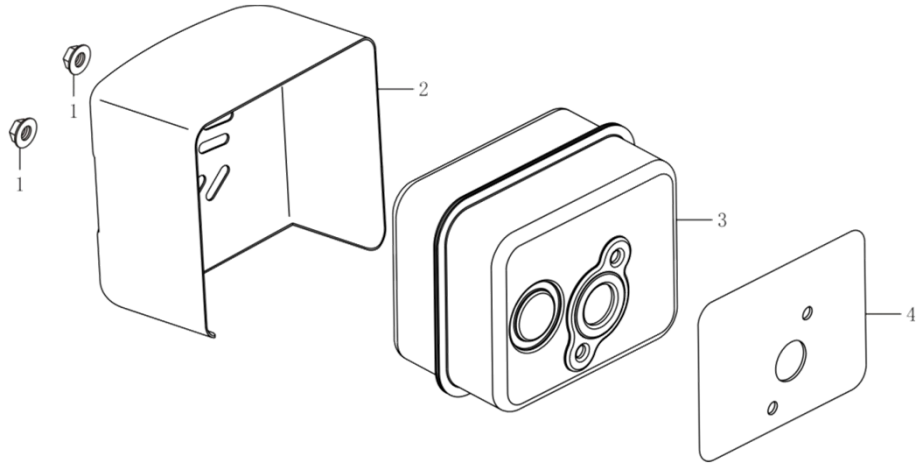




AIR CLEANER			
No.	Art	Name	QTY
1	U070-FA041	Air filter seat	1
2	U070-FA042	Air filter casing cover	1
3	U070-FA043	Air filter element	1
3	U070-FA044	Air filter element	1
4	U070-FA045	Air filter seat	1
5	U065-FA065	Hexagon nut with flange	2

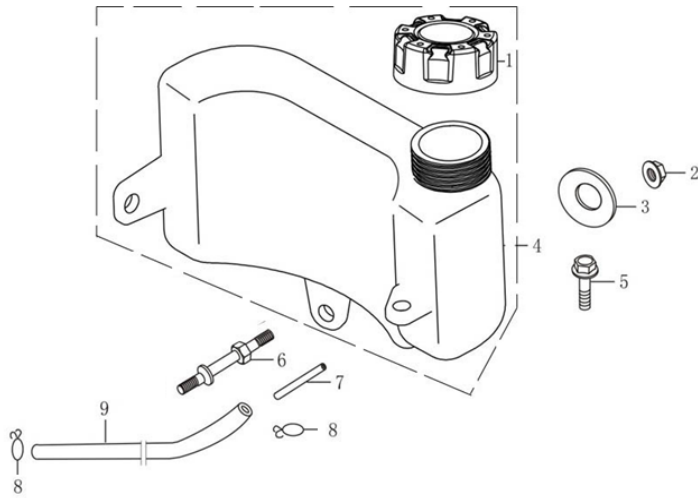


<b>CONTROL SYSTEM</b>			
<b>No.</b>	<b>Art</b>	<b>Name</b>	<b>QTY</b>
1	U070-FA046	Choke valve pull rod	1
2	U070-FA047	throttle return spring	1
3	U070-FA048	Throttle rod	1
4	U065-FA095	Throttle handle combination	1
5	U065-FA096	Governing spring	1
6	U065-FA097	Hexagon bolt with flange	2
7	U065-FA098	Square head set screw with flat point	1
8	U070-FA049	Speed regulating bracket	1
9	U065-FA065	Hexagon nut with flange	1
10	U065-FA101	Guard plate for throttle combination	1



### MUFFLER

No.	Art	Name	QTY
1	U065-FA100	Hexagon nut with flange	2
2	U070-FA052	Muffler guard shield	1
3	U070-FA053	Muffler	1
4	U065-FA105	Muffler gasket	1



### FUEL TANK

No.	Art	Name	QTY
1	U065-FA128	Tank cover	1
2	U065-FA100	Hexagon nut with flange	1
3	U065-FA108	Flat washer	1
4	U070-FC025	Tank	1
5	U065-FA013	Hexagon bolt with flange	1
6	U065-FA111	Stay stud	1
7	U065-FA112	Fuel filter	1
8	U065-FA115	Pipe clip	2
9	U070-FC026	Oil tube	1