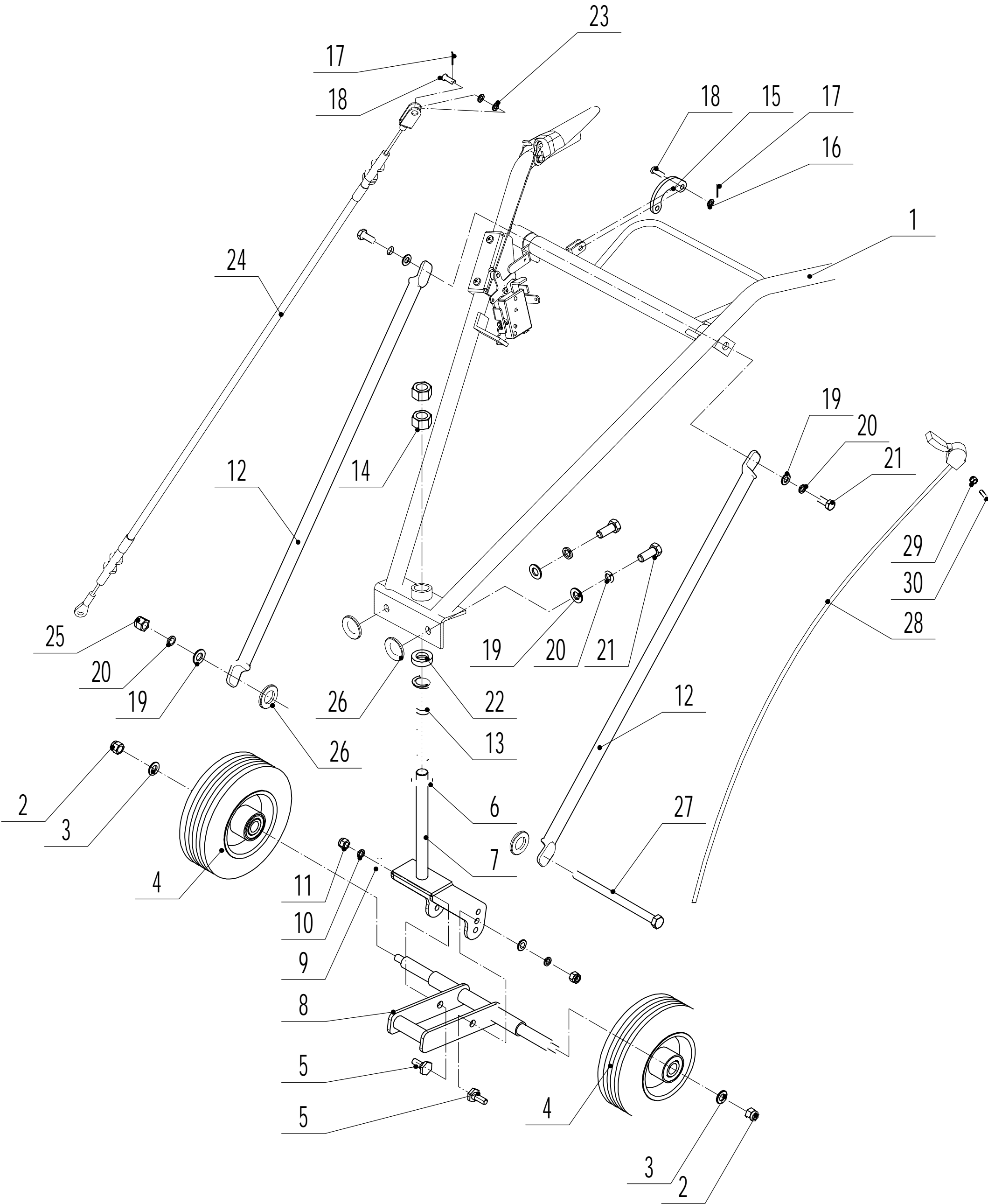
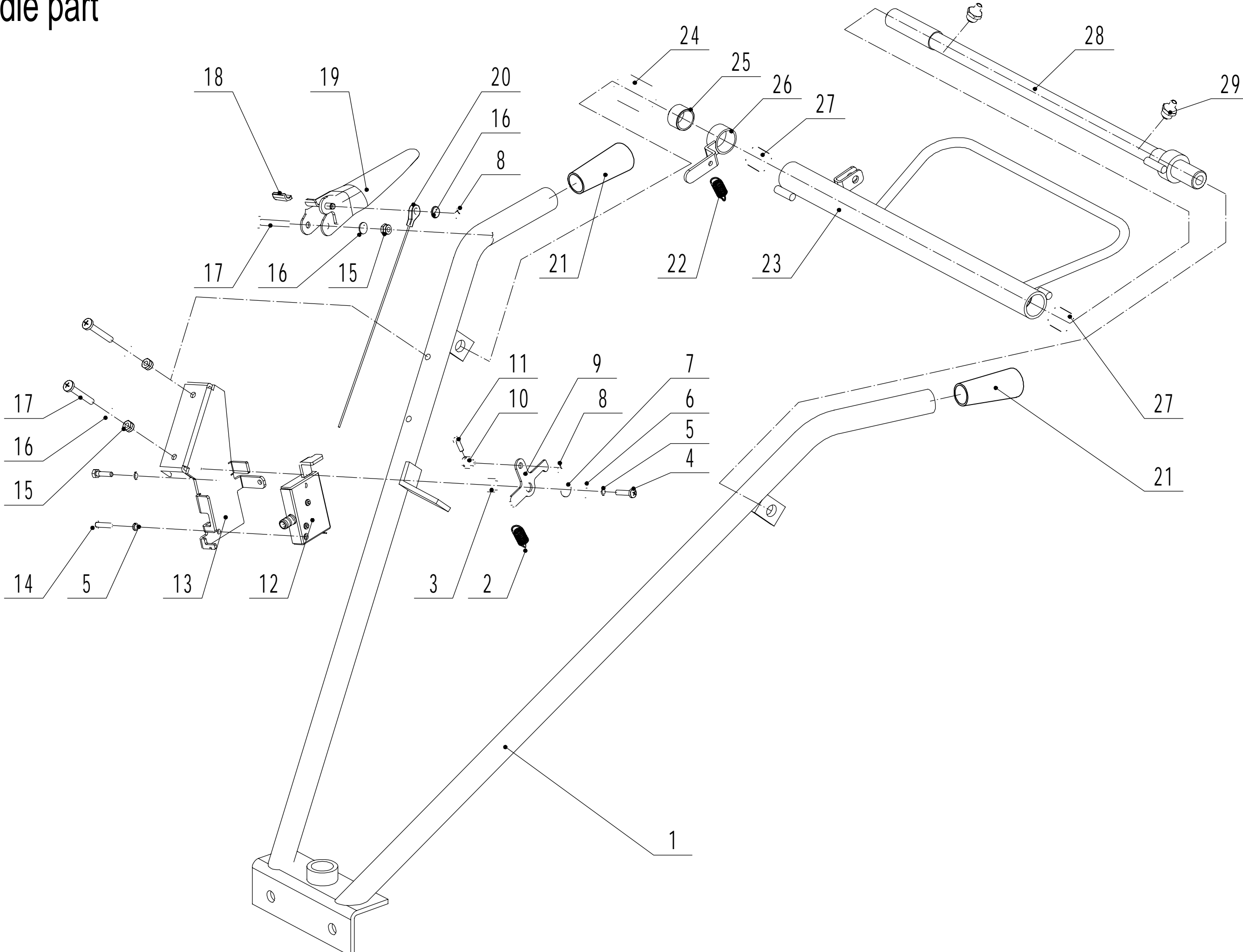


# 1 Handle and controls



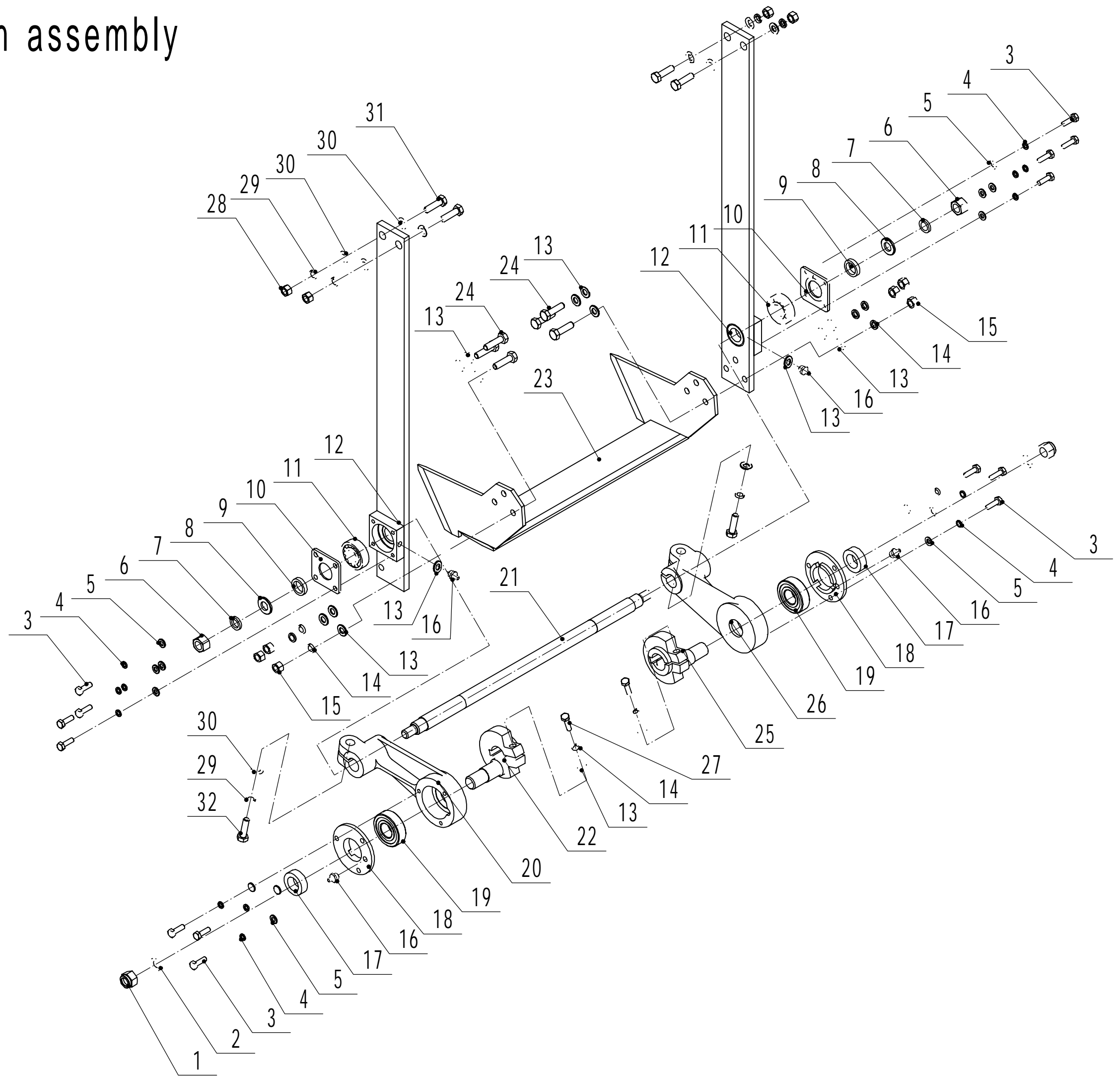
<b>Handle and controls</b>			
<b>N</b>	<b>ART</b>	<b>NAME</b>	<b>QTY</b>
1	US270-00221	Handle	1
2	UR200-00076	Nut - M12	2
3	UV160-00049	Washer - 12	2
4	US270-00001	rear wheel assembly	2
5	US270-00002	bolt	2
6	US270-00003	spacer	1
7	US270-00004	bracket	1
8	US270-00005	wheel bracket	1
9	U455-00029	spacer	2
10	UR200-00070	spring washer	2
11	UG806-00061	nut - M10	2
12	US270-00006	rod	2
13	US270-00007	spring	1
14	US270-00009	nut - M20	2
15	US270-00010	connector	1
16	U455-00061	spacer	1
17	US270-00011	cotter pin	2
18	US270-00012	pin	2
19	UR200-00074	spacer	5
20	UR200-00075	spring washer	5
21	US270-00013	bolt	4
22	US270-00019	spacer	1
23	US270-00020	nylon spacer	2
24	US270-00021	Clutch Cable	1
25	UR200-00073	nut	1
26	US270-00022	spacer	4
27	US270-00023	bolt	1
28	US270-00222	throttle cable	1
29	U455-00006	Nut - M5	1
30	US270-00223	Screw - M5x25	1

# 1.1 Handle part



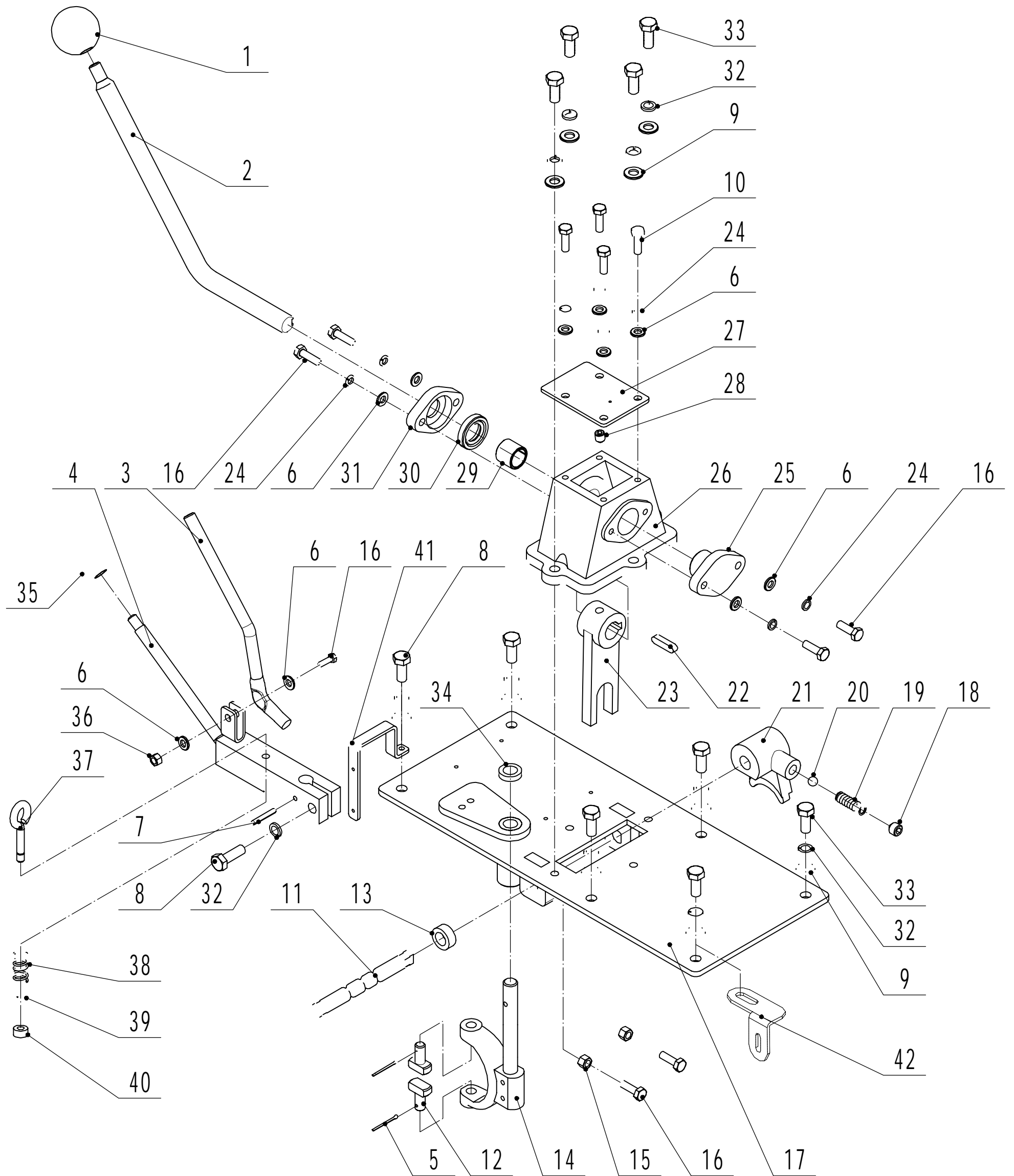
<b>Handle part</b>			
<b>N</b>	<b>ART</b>	<b>NAME</b>	<b>QTY</b>
1	US270-00224	handle	1
2	US270-00225	spring	1
3	US270-00226	supporting bush	1
4	UR810-00040	screw - M5x20	1
5	U506-00028	spring washer 5	3
6	UG700-00038	washer - 5	1
7	US270-00227	wave washer - 10	1
8	UG700-00005	check ring	2
9	US270-00228	pressing plate	1
10	US270-00229	binding post	1
11	US270-00230	bolt - M4x12	1
12	US270-00231	switch	1
13	US270-00232	fixing plate	1
14	US270-00233	bolt - M5x20	2
15	U455-00013	nut - M6	3
16	U455-00054	washer - 6	4
17	UG700-00007	screw - M6x40	3
18	US270-00234	handle sheath	1
19	US270-00235	hand lever	1
20	US270-00236	flameout cable	1
21	UG700-00001	grip sheath	2
22	US270-00237	spring	1
23	US270-00238	clutch lever	1
24	US270-00239	partition	1
25	US270-00240	nylon bush	1
26	US270-00241	pressing plate	1
27	US270-00015	nylon bush	2
28	US270-00242	shaft of clutch lever	1
29	US270-00017	oil cup	2

# 2 Blade arm assembly



<b>Blade arm assembly</b>			
<b>N</b>	<b>ART</b>	<b>NAME</b>	<b>QTY</b>
1	US270-00026	Lock Nut	2
2	US270-00027	Spacer	2
3	UG700-00055	Bolt	14
4	UG700-00056	Spring Washer	14
5	U455-00054	Spacer	14
6	US270-00243	Nut	2
7	UR200-00075	Spring Washer	2
8	UR200-00074	Spacer	2
9	US270-00028	Spacer	2
10	US270-00029	Cover	2
11	US270-00030	Bearing	2
12	US270-00031	Blade Arm	2
13	U455-00061	Spacer	16
14	U455-00053	Spring Washer	8
15	UG700-00022	Nut	6
16	US270-00032	Grease Nozzle	4
17	US270-00033	Spacer	2
18	US270-00034	Cover	2
19	US270-00035	Bearing	2
20	US270-00036	Left Connecting Rod	1
21	US270-00037	Spindle	1
22	US270-00038	Brank Block	1
23	US270-00039	Blade	1
24	UG700-00095	Bolt	6
25	US270-00244	Brank Block	1
26	US270-00041	Right Connecting Rod	1
27	US270-00042	Screw	2
28	U537-00111	Lock Nut	4
29	UR200-00070	Spring Washer	6
30	U455-00029	Spacer	10
31	US270-00043	Bolt	4
32	UG700-00101	Bolt	2

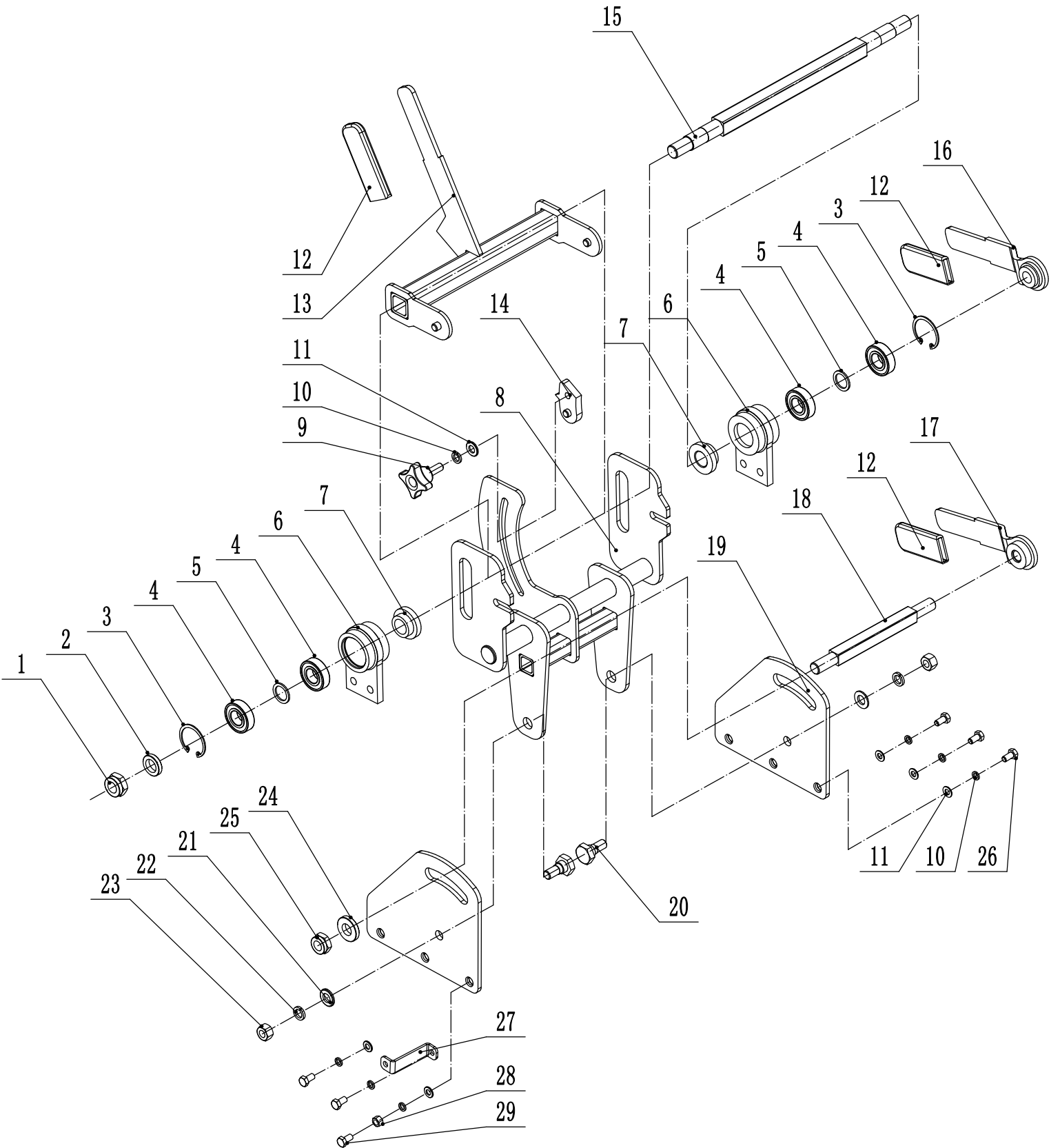
# 3 Top cover assembly of transmission



<b>Top cover assembly of transmission</b>			
<b>N</b>	<b>ART</b>	<b>NAME</b>	<b>QTY</b>
1	US270-00044	knob	1
2	US270-00045	shift lever	1
3	US270-00046	locating lever	1
4	US270-00047	blade engage lever	1
5	US270-00011	cotter pin	2
6	U455-00054	spacer	10
7	US270-00049	spring pin	1
8	UG806-00029	bolt	2
9	U455-00053	spacer	10
10	UG700-00138	bolt	4
11	US270-00050	shaft	1
12	US270-00051	claw	2
13	US270-00052	bush	1
14	US270-00053	shifting fork	1
15	UG700-00132	nut	2
16	UG700-00055	bolt	7
17	US270-00054	cover	1
18	US270-00055	lock screw	1
19	US270-00056	spring	1
20	US270-00057	steel ball	1
21	US270-00058	shifting fork	1
22	US270-00059	key	1
23	US270-00060	shifting fork 1	1
24	UG700-00056	spring washer	8
25	US270-00061	cover 1	1
26	US270-00062	bracket	1
27	US270-00063	cover	1
28	US270-00245	lock screw	1
29	US270-00065	bush	1
30	UG700-00082	seal	1
31	US270-00066	cover 2	1
32	U455-00053	spring washer	11
33	U537-00060	bolt	9
34	US270-00067	seal	1
35	US270-00068	knob	1
36	U455-00013	lock nut	1
37	US270-00069	pin	1
38	US270-00070	spring	1
39	US270-00071	ring	1
40	US270-00072	spacer	1
41	US270-00073	bracket 2	1
42	US270-00074	bracket 1	1

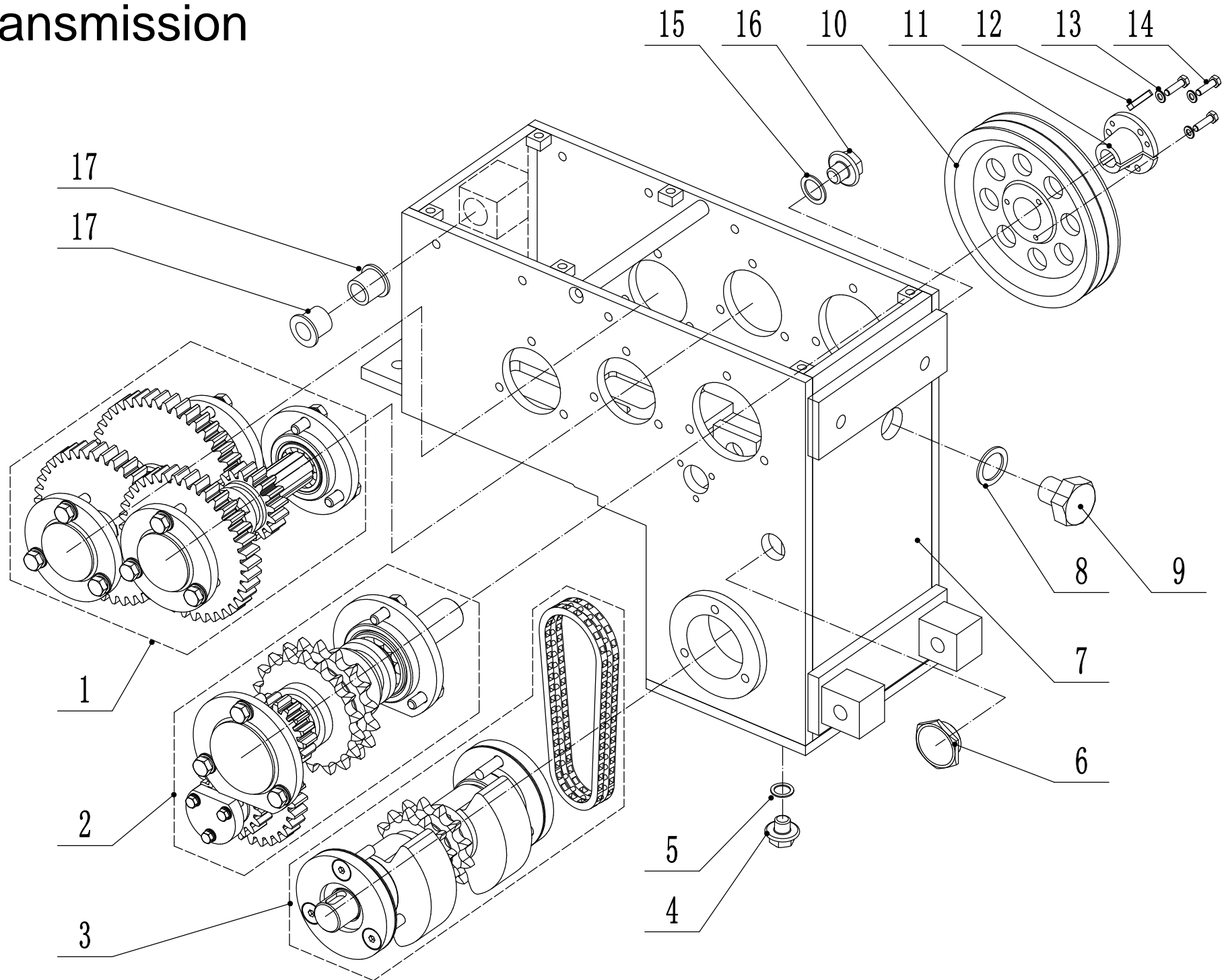


# 4 Blade controller assembly



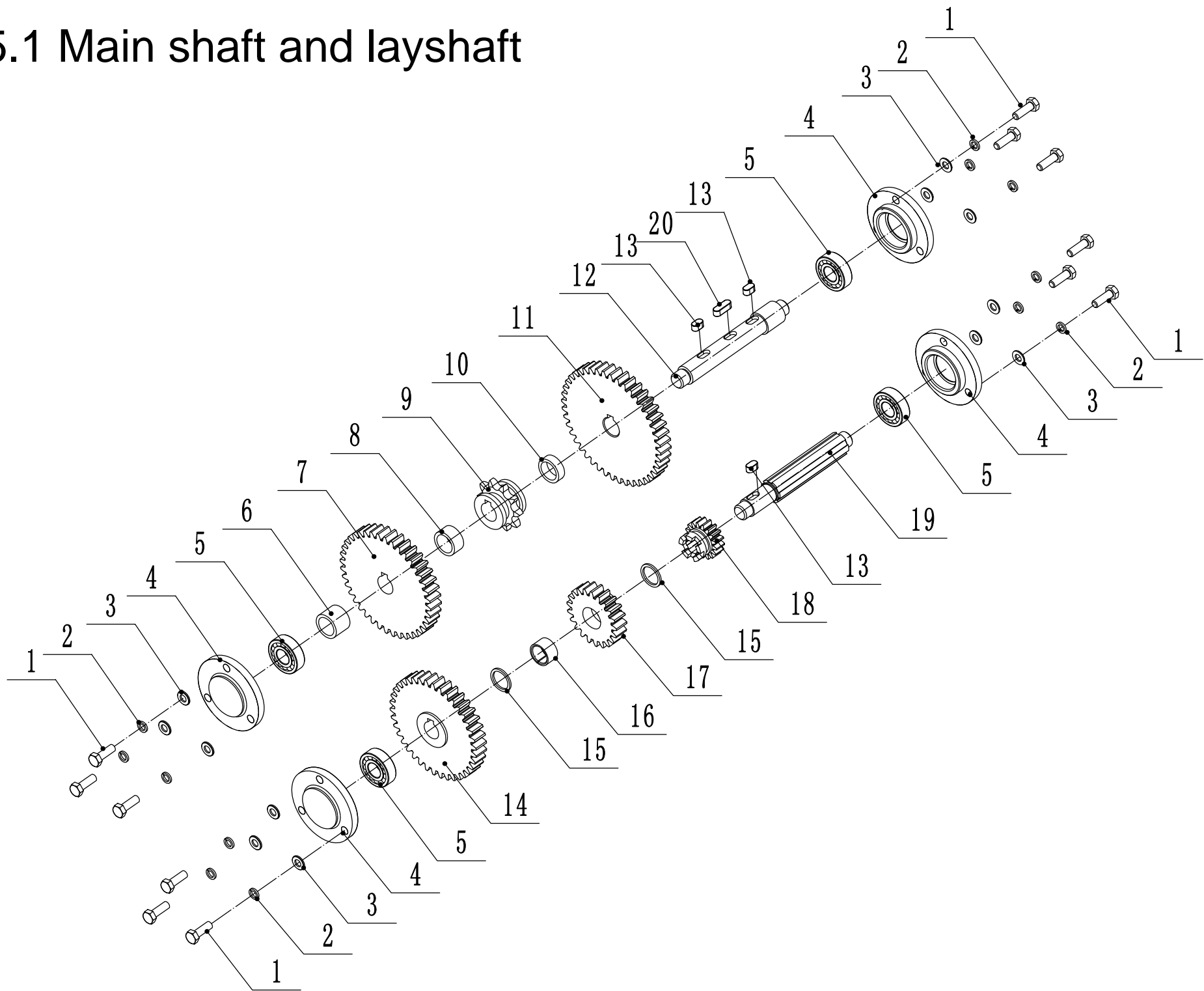
<b>Blade controller assembly</b>			
<b>N</b>	<b>ART</b>	<b>NAME</b>	<b>QTY</b>
1	US270-00075	Lock Nut	1
2	US270-00246	Spacer	1
3	UG700-00111	Check Ring	2
4	US270-00077	Bearing	4
5	US270-00078	Spacer	2
6	US270-00079	Upper Arm	2
7	US270-00080	Spacer	2
8	US270-00081	Bracket	1
9	US270-00082	Knob	1
10	UR200-00070	Spring Washer	7
11	U455-00029	Spacer	6
12	US270-00083	Sheath	3
13	US270-00084	Lever	1
14	US270-00085	Block	1
15	US270-00086	Axle	1
16	US270-00087	Upper Locking Lever	1
17	US270-00088	Lower Locking Lever	1
18	US270-00089	Axle	1
19	US270-00090	Lower Bracket	2
20	US270-00091	Pin	2
21	UR200-00074	Spacer	2
22	UR200-00075	Springwasher	2
23	UR200-00073	Nut	2
24	US270-00092	Spacer	1
25	US270-00093	Lock Nut	1
26	UR200-00067	Bolt	5
27	US270-00094	Bracket	1
28	UG806-00061	Nut	1
29	UG390-00011	Bolt	1

# 5 Transmission



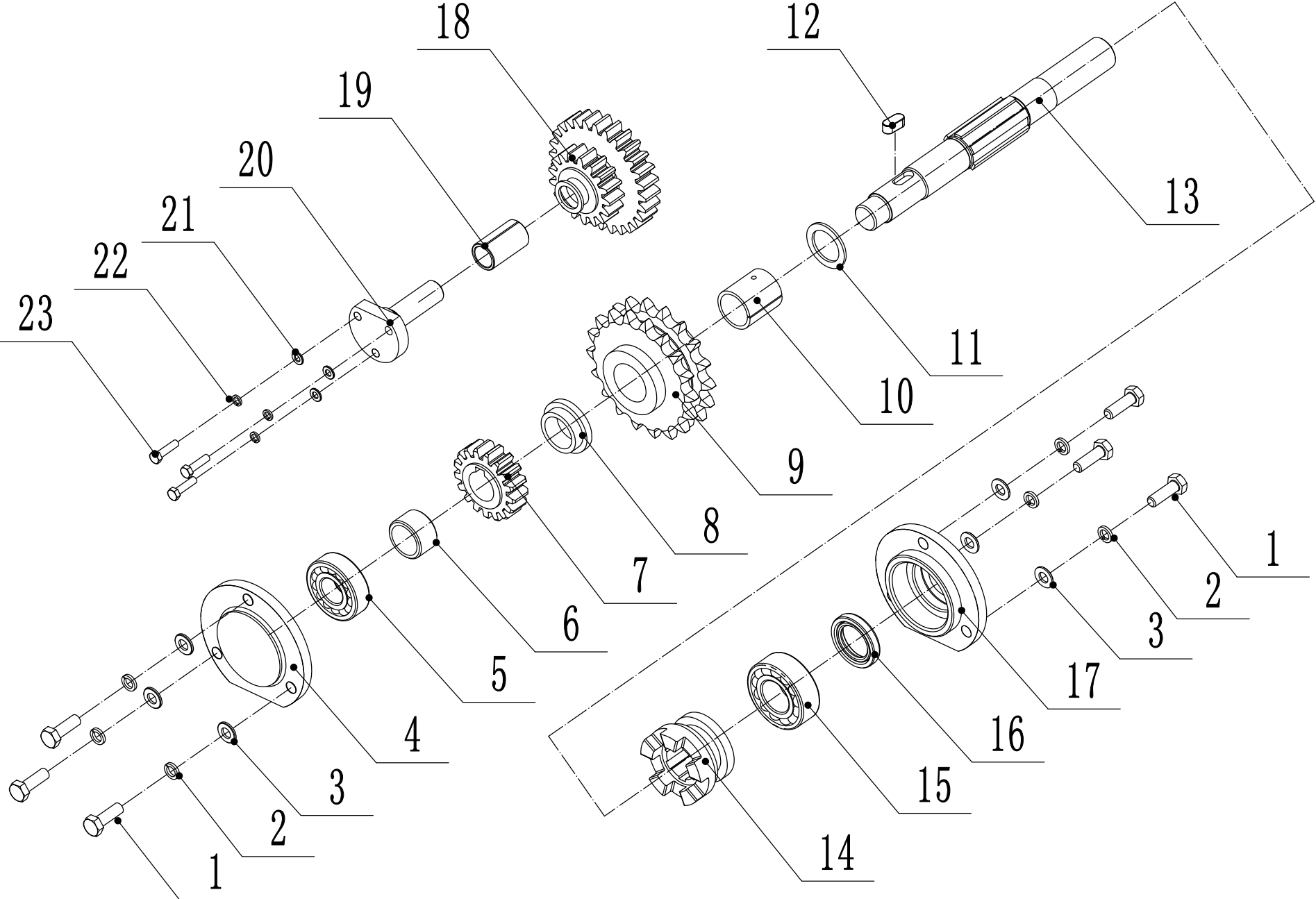
<b>Transmission</b>			
<b>N</b>	<b>ART</b>	<b>NAME</b>	<b>QTY</b>
4	US270-00247	Bolt	1
5	US270-00099	Seal	1
6	US270-00100	Indicator	1
7	US270-00101	Chassis Box	1
8	US270-00102	Seal	2
9	US270-00248	Bolt	1
10	US270-00104	Pulley	1
11	US270-00105	Core	1
12	US270-00106	Key	1
13	U455-00061	Spacer	3
14	US270-00107	Bolt	3
15	US270-00108	Seal	1
16	US270-00249	Bolt	1
17	US270-00110	Spacer	2

# 5.1 Main shaft and layshaft



<b>Main shaft and layshaft</b>			
<b>N</b>	<b>ART</b>	<b>NAME</b>	<b>QTY</b>
1	U537-00060	Bolt	12
2	U455-00053	Spring Washer	12
3	U455-00061	Spacer	12
4	US270-00111	Side Cover	4
5	US270-00030	Bearing	4
6	US270-00113	Spacer	1
7	US270-00114	Gear	1
8	US270-00115	Spacer	1
9	US270-00116	Sprocket Wheel	1
10	US270-00117	Spacer	1
11	US270-00118	Gear	1
12	US270-00119	Axle	1
13	US270-00120	Key	3
14	US270-00121	Gear	1
15	US270-00122	Spacer	2
16	US270-00123	Bush	1
17	US270-00124	Gear	1
18	US270-00250	Gear	1
19	US270-00126	Axle	1
20	US270-00251	Key	1

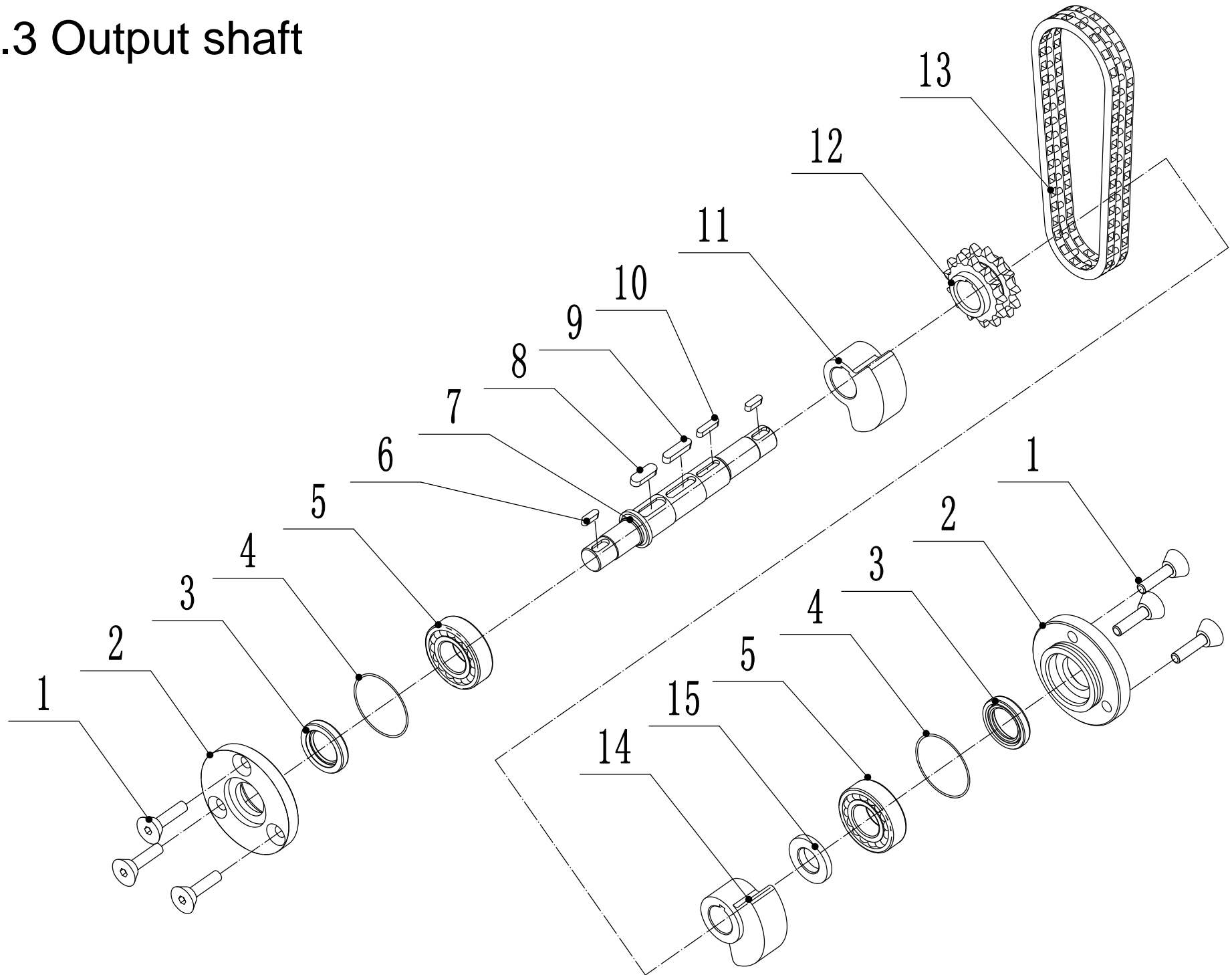
# 5.2 Transitional shaft and input shaft



<b>Transitional shaft and input shaft</b>			
<b>N</b>	<b>ART</b>	<b>NAME</b>	<b>QTY</b>
1	U537-00060	Bolt	6
2	U455-00053	Spring Washer	6
3	U455-00061	Spacer	6
4	US270-00127	Side Cover	1
5	US270-00128	Bearing	1
6	US270-00129	Spacer	1
7	US270-00130	Gear	1
8	US270-00131	Spacer	1
9	US270-00132	Sprocket Wheel	1
10	US270-00133	Bush	1
11	US270-00134	Spacer	1
12	US270-00135	Key	1
13	US270-00136	Axle	1
14	US270-00137	Bush	1
15	US270-00138	Bearing	1
16	US270-00139	Seal	1
17	US270-00140	Side Cover	1
18	US270-00141	Gear	1
19	US270-00142	Bush	1
20	US270-00143	Axle	1
21	U455-00054	Spacer	3
22	UG700-00056	Spring Washer	3
23	UG700-00055	Bolt	3

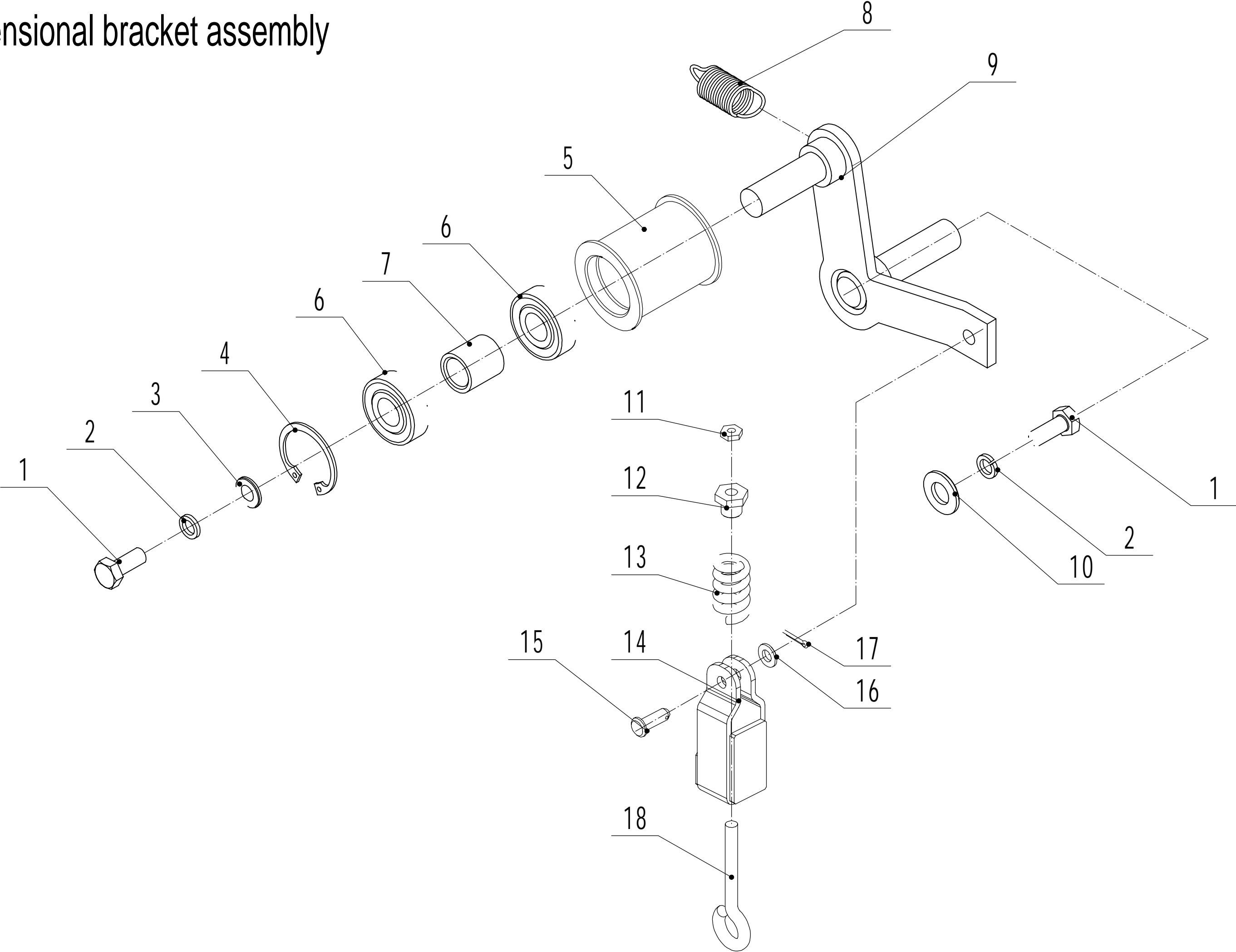


## 5.3 Output shaft



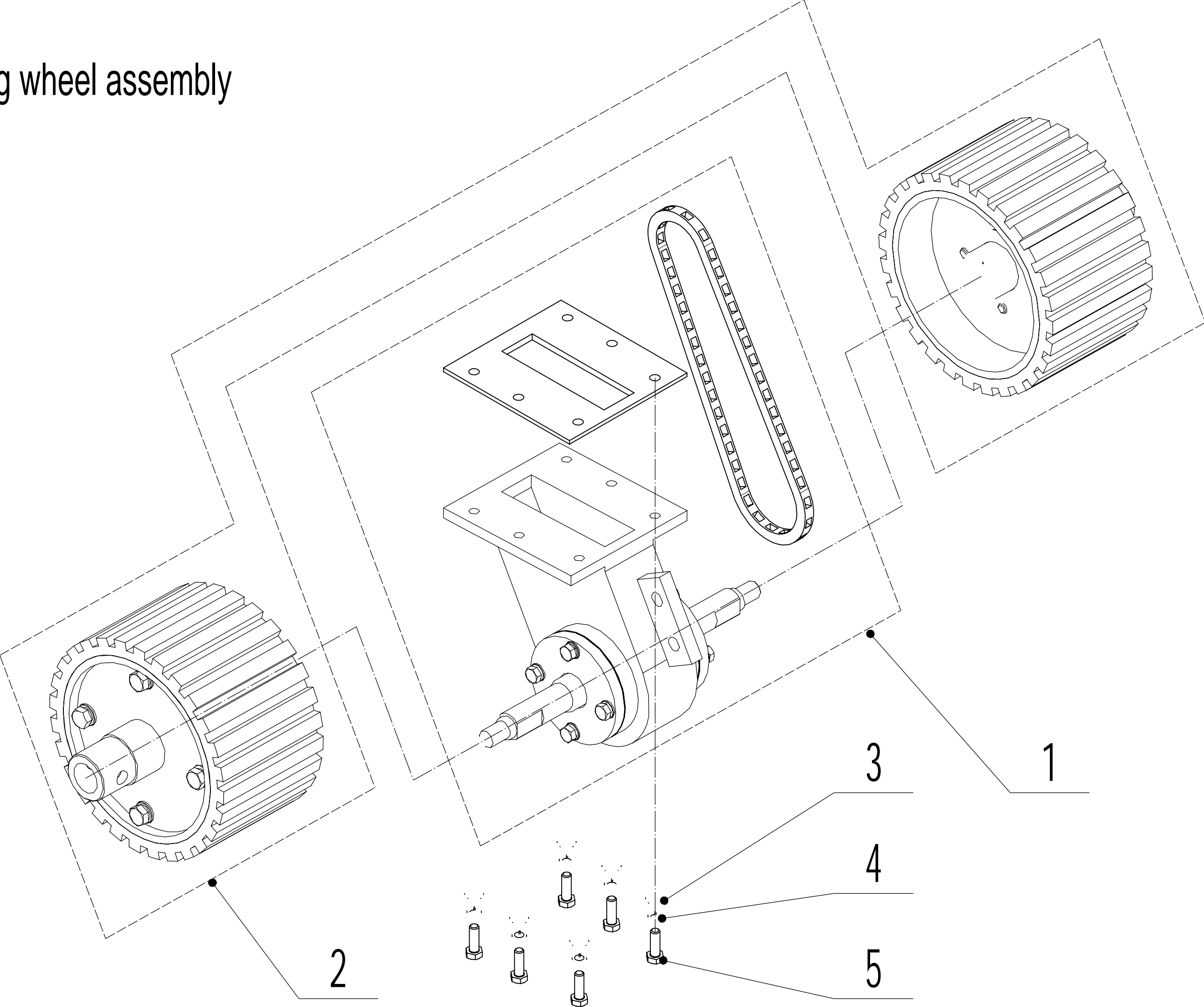
<b>Output shaft</b>			
<b>N</b>	<b>ART</b>	<b>NAME</b>	<b>QTY</b>
1	US270-00144	Screw	6
2	US270-00145	Side Cover	2
3	US270-00139	Seal	2
5	US270-00147	Bearing	2
6	US270-00148	Key	2
7	US270-00149	Axle	1
8	US270-00150	Key	1
9	UG390-00076	Key	1
10	US270-00151	Key	1
11	US270-00152	Left Block	1
12	US270-00153	Sprocket Wheel	1
13	US270-00154	Chain	1
14	US270-00155	Right Block	1
15	US270-00156	Bush	1

# 6 Tensional bracket assembly



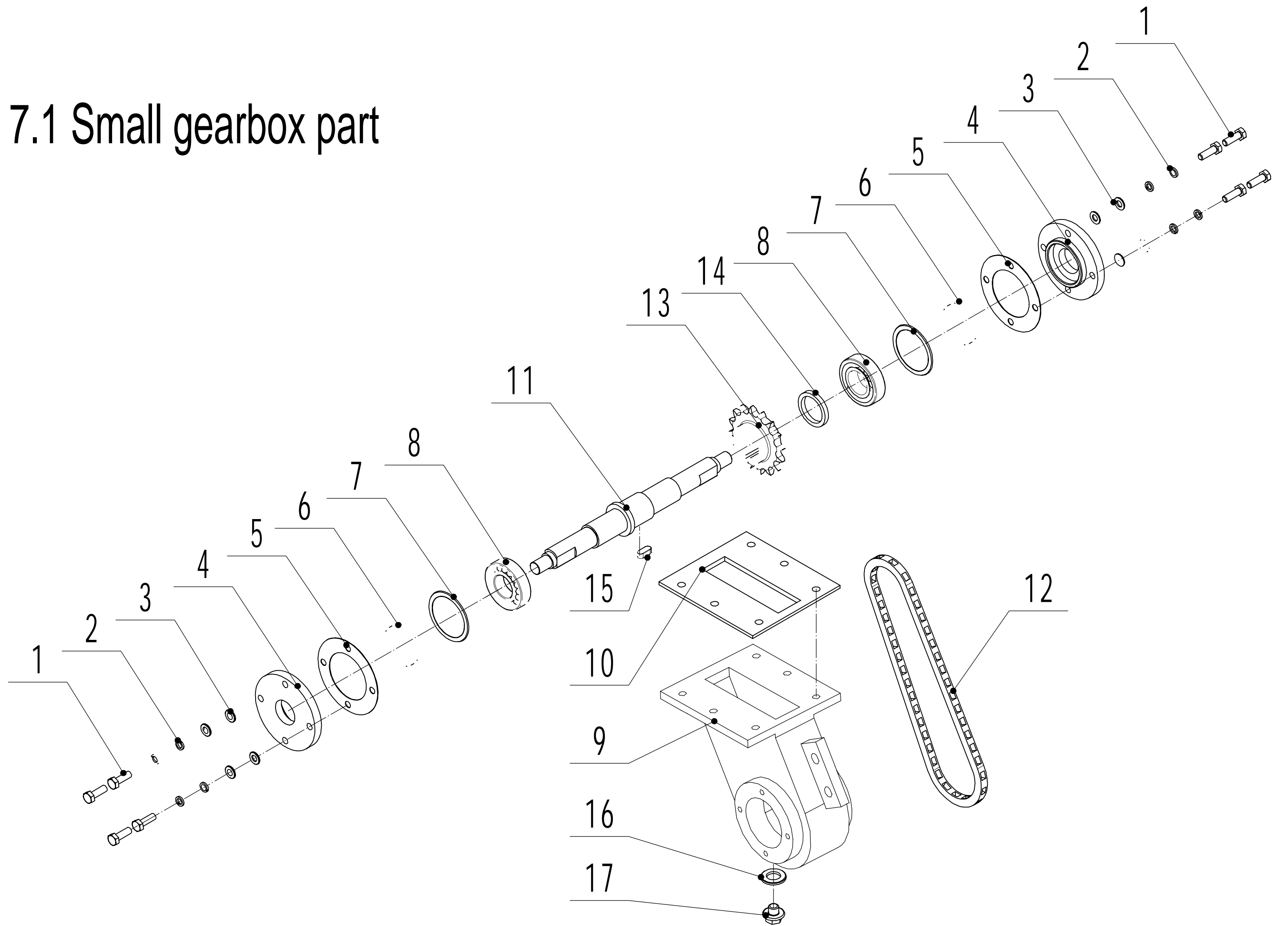
<b>Tensional bracket assembly</b>			
<b>N</b>	<b>ART</b>	<b>NAME</b>	<b>QTY</b>
1	U537-00060	bolt	2
2	U455-00053	spring washer	2
3	U506-00058	spacer	1
4	UG700-00060	check ring	1
5	US270-00157	tensional pulley	1
6	US270-00158	bearing	2
7	US270-00159	spacer	1
8	US270-00160	spring 1	1
9	US270-00161	tensional arm	1
10	US270-00162	spacer	1
11	US270-00252	nut - M6	1
12	US270-00253	locating Bush II ofPressing Spring	1
13	US270-00165	Spring - 18x35	1
14	US270-00167	Supporting Base ofPressing Spring	1
15	US270-00168	Pin Axis - B6x18	1
16	U455-00054	Washer - 6	1
17	US270-00169	Split pin - 2x10	1
18	US270-00170	connecting Rod ofPressing Spring	1

# 7 Driving wheel assembly



<b>Driving wheel assembly</b>			
<b>N</b>	<b>ART</b>	<b>NAME</b>	<b>QTY</b>
2	US270-00300	Working wheel	2
3	U455-00061	Spacer	6
4	U455-00053	Spring Washer	6
5	UG700-00095	Bolt	6

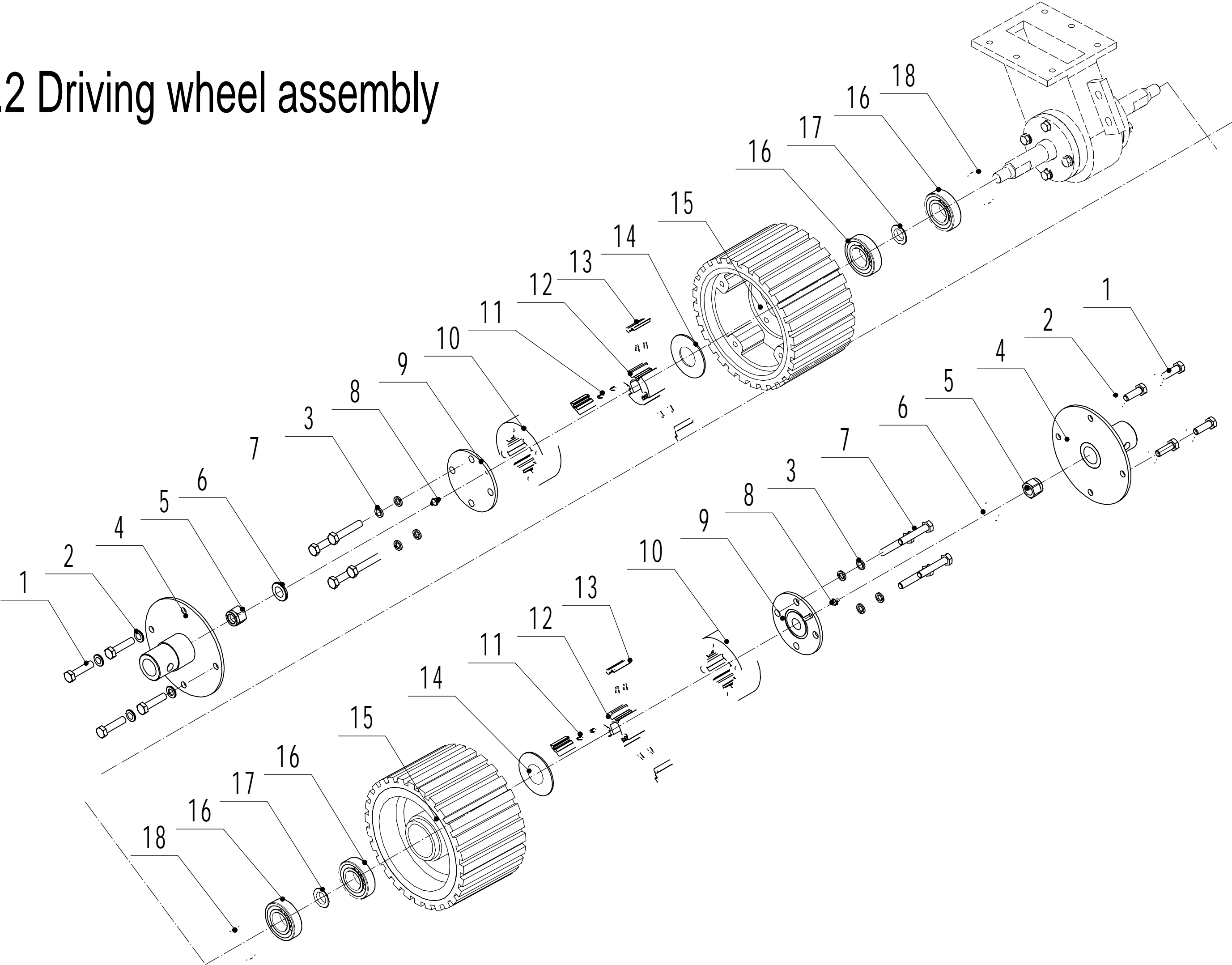
# 7.1 Small gearbox part



<b>Small gearbox part</b>			
<b>N</b>	<b>ART</b>	<b>NAME</b>	<b>QTY</b>
1	U537-00023	Bolt	8
2	U455-00053	Spring Washer	8
3	U455-00061	Spacer	8
4	US270-00171	Side Cover	2
5	US270-00172	Seal	2
6	US270-00173	Seal	2
7	US270-00174	Spacer	2
8	US270-00175	Bearing	2
9	US270-00176	Box	1
10	US270-00177	Upper Seal	1
11	US270-00178	Axle	1
12	US270-00179	Chain	1
13	US270-00180	Sprocket Wheel	1
14	US270-00181	Spacer	1
15	US270-00148	Key	1
16	US270-00099	Seal	1
17	US270-00098	Bolt	1

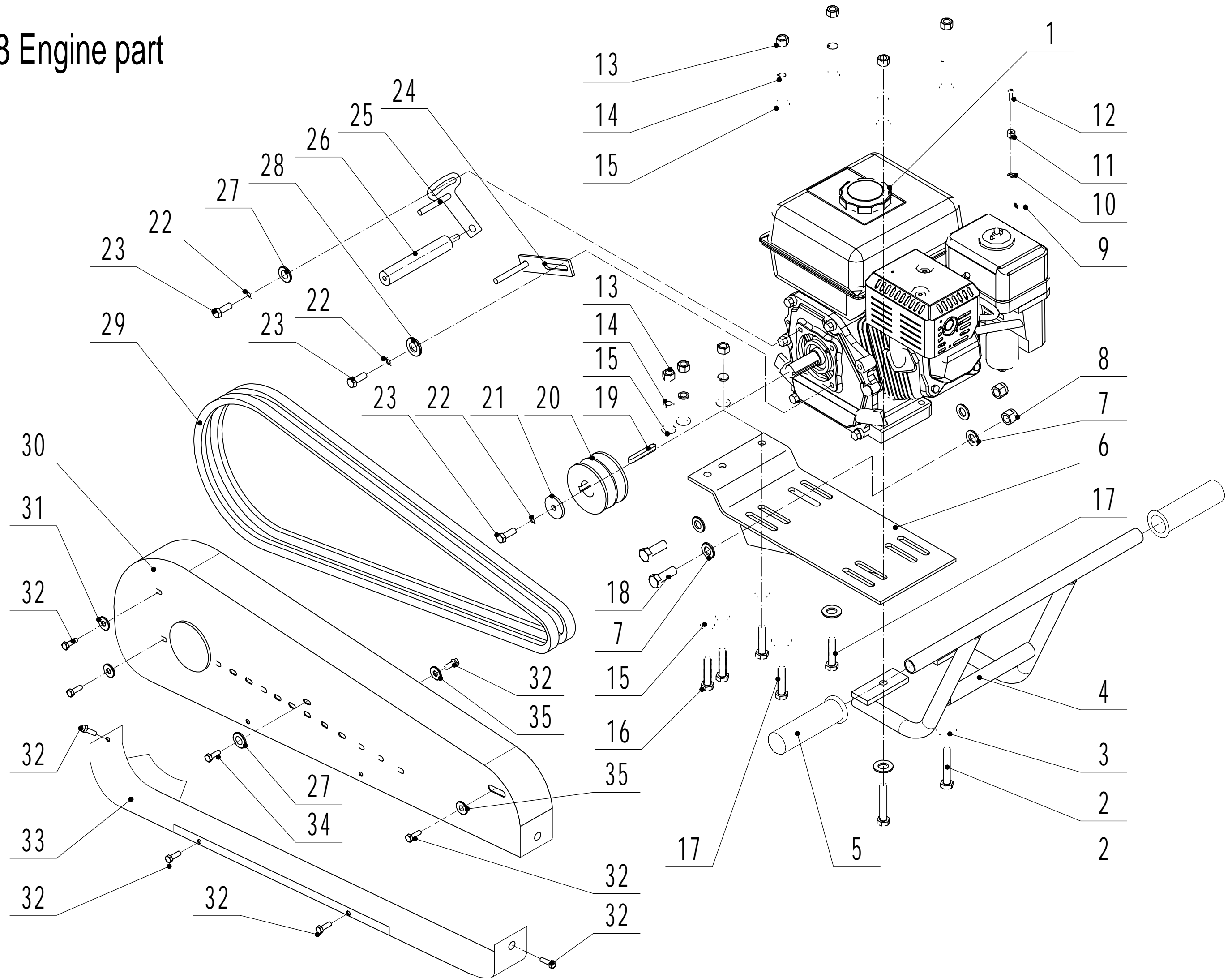


# 7.2 Driving wheel assembly



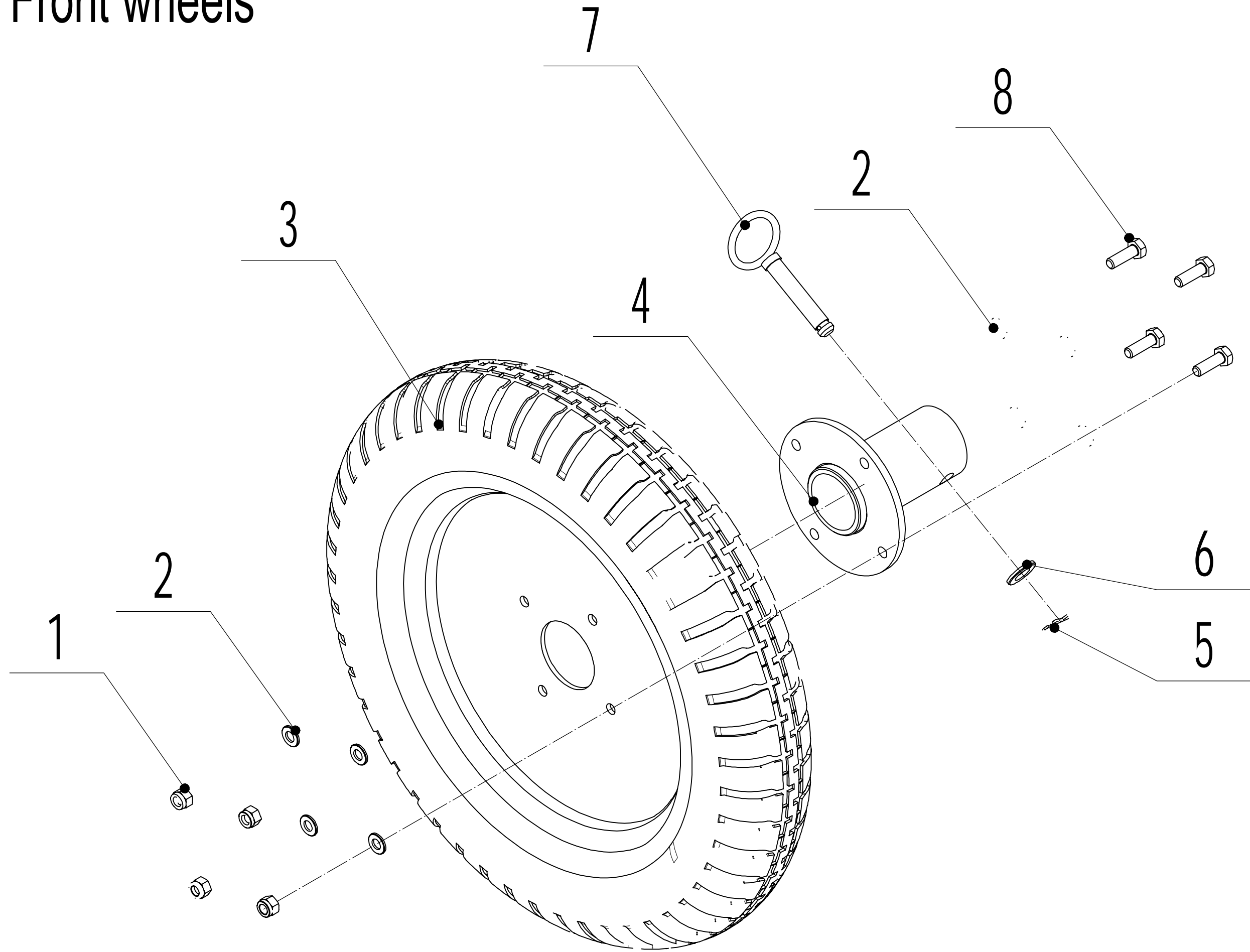
<b>Driving wheel assembly</b>			
<b>N</b>	<b>ART</b>	<b>NAME</b>	<b>QTY</b>
1	UR200-00067	Bolt	8
2	U455-00029	Spring Washer	16
3	US270-00185	Axle	2
4	US270-00093	Lock Nut	2
5	UR200-00071	Spacer	2
6	US270-00187	Spacer	2
7	US270-00188	Bolt	8
8	US270-00017	Grease Nozzle	2
9	US270-00190	Hub Cover	2
10	US270-00191	Ratchet	2
11	US270-00192	Spring	12
12	US270-00193	Ratchet	2
13	US270-00194	Pawl	6
14	US270-00196	Spacer	2
15	US270-00195	Working Wheel	2
16	US270-00197	Bearing	4
17	US270-00198	Spacer	2
18	US270-00173	Seal	2

# 8 Engine part



Engine part			
N	ART	NAME	QTY
1	US270-00254	engine	1
2	US270-00188	bolt	2
3	UG700-00100	spacer	4
4	US270-00201	bar	1
5	UG700-00001	grip sheath	2
6	US270-00202	bracket	1
7	UR200-00074	spacer	4
8	UR200-00076	lock nut	2
9	US270-00203	spring	1
10	UG700-00005	check ring	1
11	US270-00204	block	1
12	US270-00205	screw	1
13	UG806-00061	nut	7
14	UR200-00070	spring washer	7
15	U455-00029	spacer	10
16	UG390-00011	bolt	3
17	UT160-00011	bolt	2
18	UV160-00051	bolt	2
19	US270-00255	key	1
20	US270-00207	pulley	1
21	US270-00208	spacer	1
22	U455-00053	spring washer	3
23	UG806-00029	bolt	3
24	US270-00209	bracket	1
25	US270-00210	bracker	1
26	US270-00211	rod	1
27	U506-00058	spacer	2
28	UAE55-00052	spacer	1
29	US270-00212	belt	2
30	US270-00213	upper shield	1
31	US270-00256	big spacer	2
32	U455-00009	bolt	8
33	US270-00216	lower shield	1
34	UG390-00079	bolt	1
35	U455-00044	spacer	2

# 9 Front wheels



<b>9 Front wheels</b>			
<b>N</b>	<b>ART</b>	<b>NAME</b>	<b>QTY</b>
1	U455-00007	Lock Nut	4
2	U455-00061	Spacer	8
3	US270-00217	Wheel	1
4	US270-00218	Adapter	1
5	US270-00219	Cotter Pin	1
6	UR200-00074	Spacer	1
7	US270-00220	Pin	1
8	UG806-00029	Bolt	4