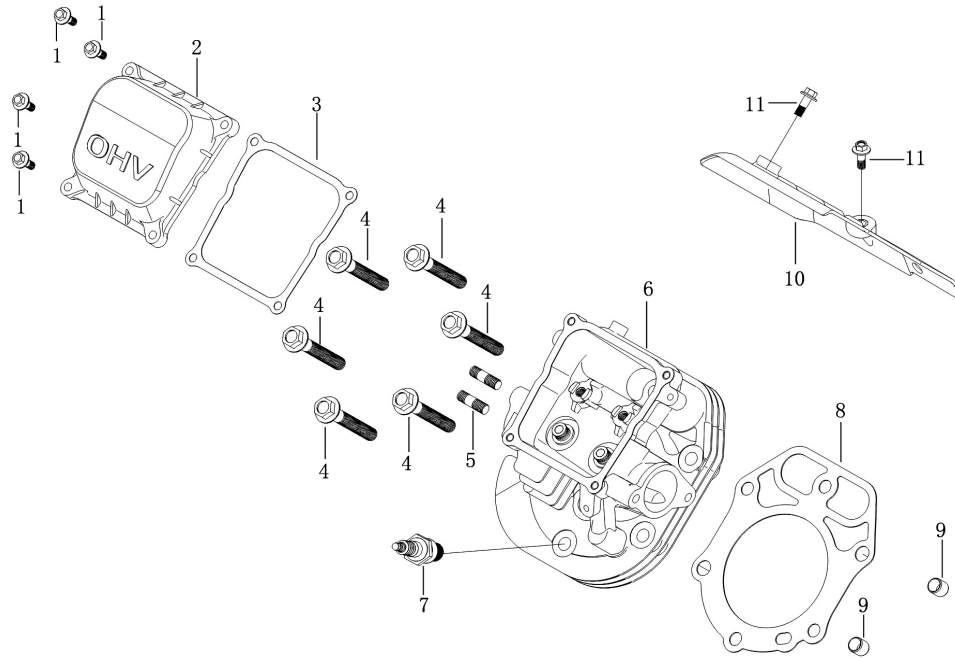
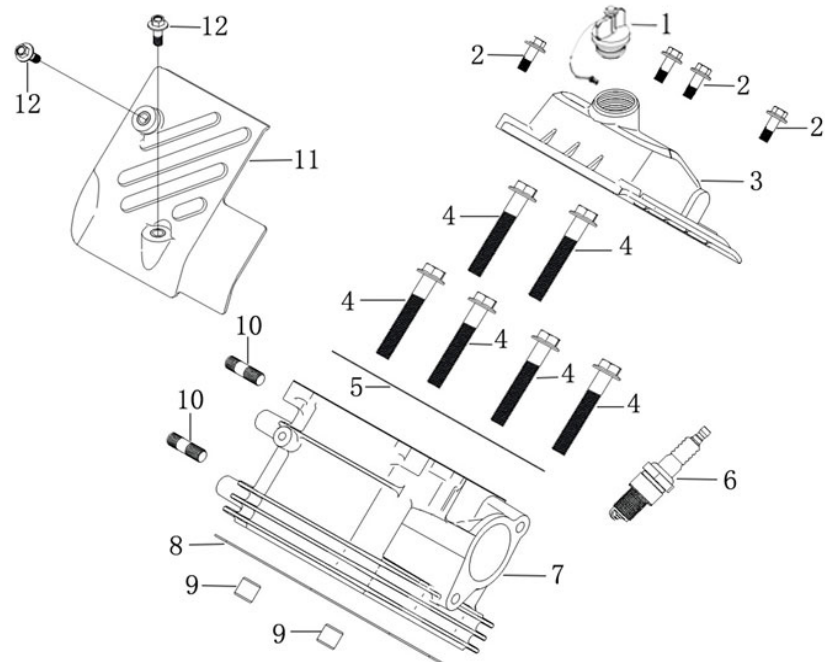


Caiman Green Engine 999 cc Parts Lists



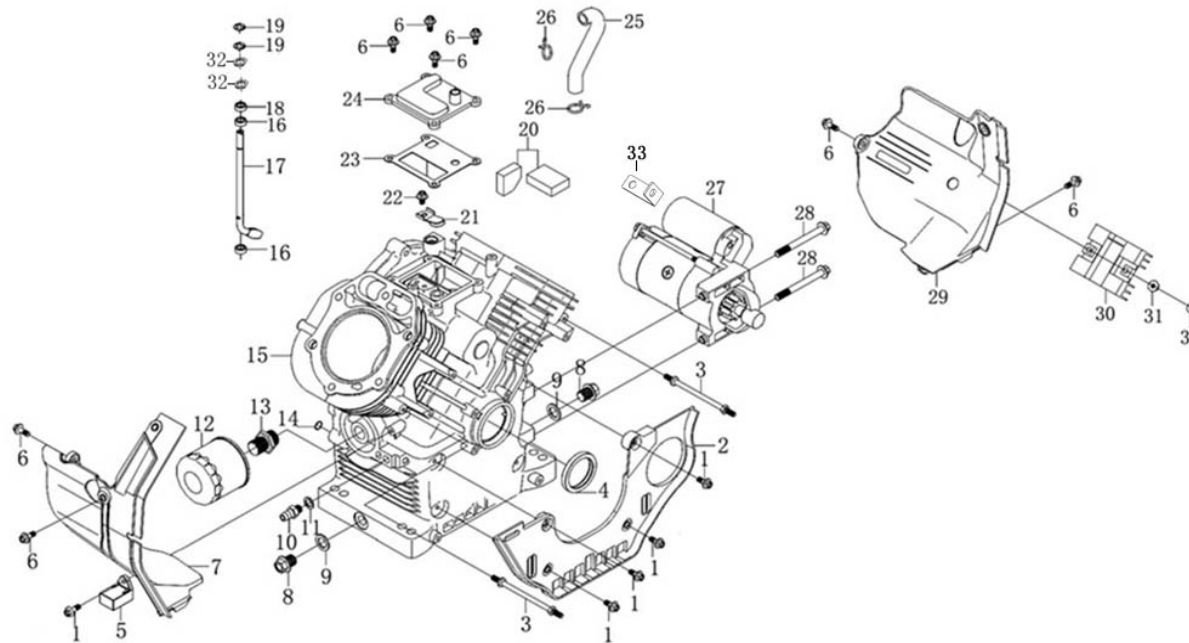
(CYLINDER HEAD ASSY)

No.	Part No.	Description	Reqd. QTY	CONSUMABLE GRADE
1	U077-F0061	Hexagon bolt with flange	4	C
2	U999-FD001	Cylinder head cover(L)	1	C
3	U999-FD002	Gasket for cylinder head cover	1	C
4	U999-FD003	Hexagon bolt with flange	6	C
5	U999-FD004	Stud	4	C
6	U999-FD005	Cylinder head(L)	1	B
7	U999-FD006	Spark plug	1	A
8	U999-FD007	Gasket for cylinder head	1	A
9	U999-FD008	ocation pin	2	C
10	U999-FD009	air deflector(L)	1	C
11	U092-F0034	Hexagon bolt with flange	2	C



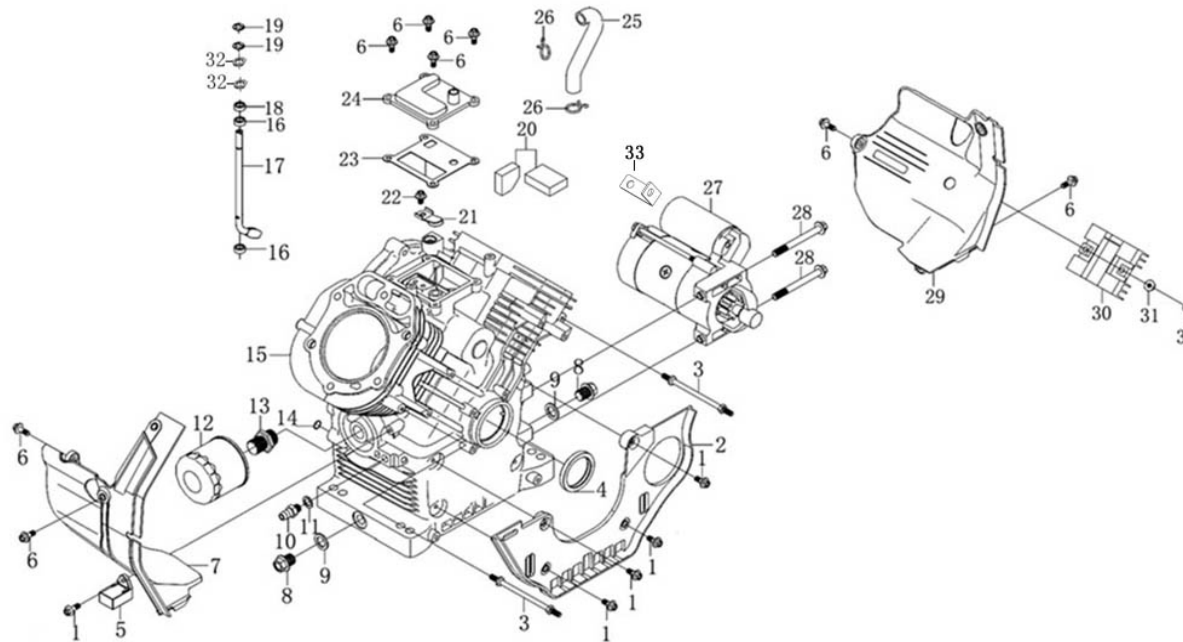
(CYLINDER HEAD ASSY)

No.	Part No.	Description	Reqd. QTY	CONSUMABLE GRADE
1	U999-FD010	Oil rule combination	1	B
2	U077-F0061	Hexagon bolt with flange	4	C
3	U999-FD011	Cylinder head cover	1	C
4	U999-FD003	Hexagon bolt with flange	6	C
5	U999-FD002	Gasket for cylinder head cover	1	A
6	U999-FD006	Spark plug	1	A
7	U999-FD015	Cylinder head(L)	1	B
8	U999-FD007	Gasket for cylinder head	1	A
9	U999-FD008	ocation pin	2	C
10	U999-FD004	Stud	2	C
11	U999-FD019	air deflector	1	C
12	U092-F0034	Hexagon bolt with flange	2	C



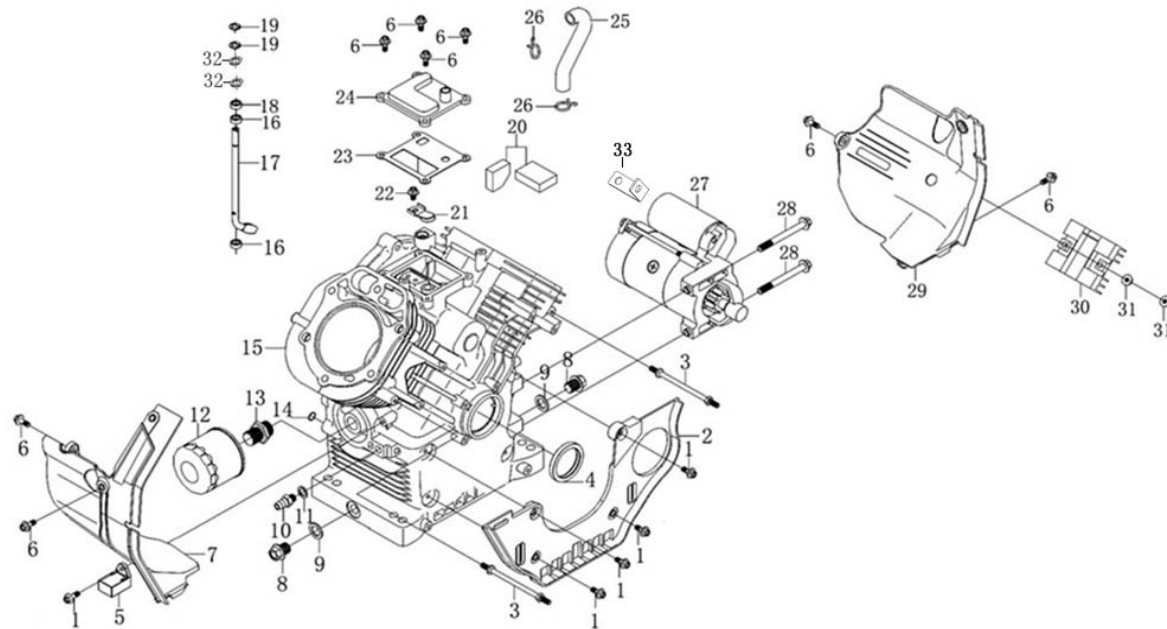
(CRANKCASE)

No.	Part No.	Description	Reqd. QTY	CONSUMABLE GRADE
1	U092-F0091	Hexagon bolt with flange	5	C
2	U999-FD020	air deflector	1	C
3	U999-FD021	Stay stud	1	C
4	U999-FD022	Oil seal	1	B
5	U999-FD023	Engine oil protector	1	A
6	U092-F0034	Hexagon bolt with flange	8	C
7	U999-FD024	air deflector(L)	1	C
8	U999-FD025	Sealing plug screw	1	C
9	U999-FD026	Flat washer	2	C
10	U999-FD027	coupling	1	C
11	U065-FA042	Flat washer	1	C
12	U999-FD028	Oil filter	1	A
13	U999-FD029	Oil filter Mounting bolts	1	C



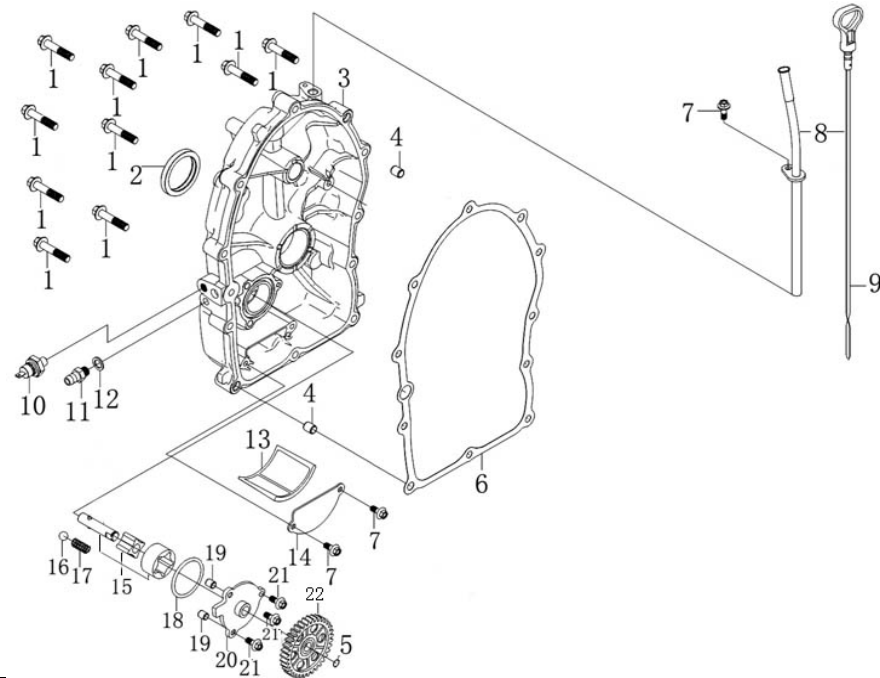
(CRANKCASE)

No.	Part No.	Description	Reqd. QTY	CONSUMABLE GRADE
14	U999-FD030	Seal ring	1	A
15	U999-FD031	Crankcase body	1	B
16	U999-FD032	Bearing	2	B
17	U999-FD033	Speed regulating arm	1	B
18	U999-FD034	Oil seal	1	B
19	U999-FD035	Split damping ring	2	B
20	U999-FD036	Filter	1	A
21	U999-FD037	Leaf valve	1	A
22	U065-FA097	Hexagon bolt with flange	1	C
23	U999-FD038	PACKING, BREATHER CHAMBER	1	A
24	U999-FD039	CAP,BREATHER CHAMBER	1	A
25	U999-FD040	Breather tube	1	B
26	U999-FD041	Pipe clip	2	A



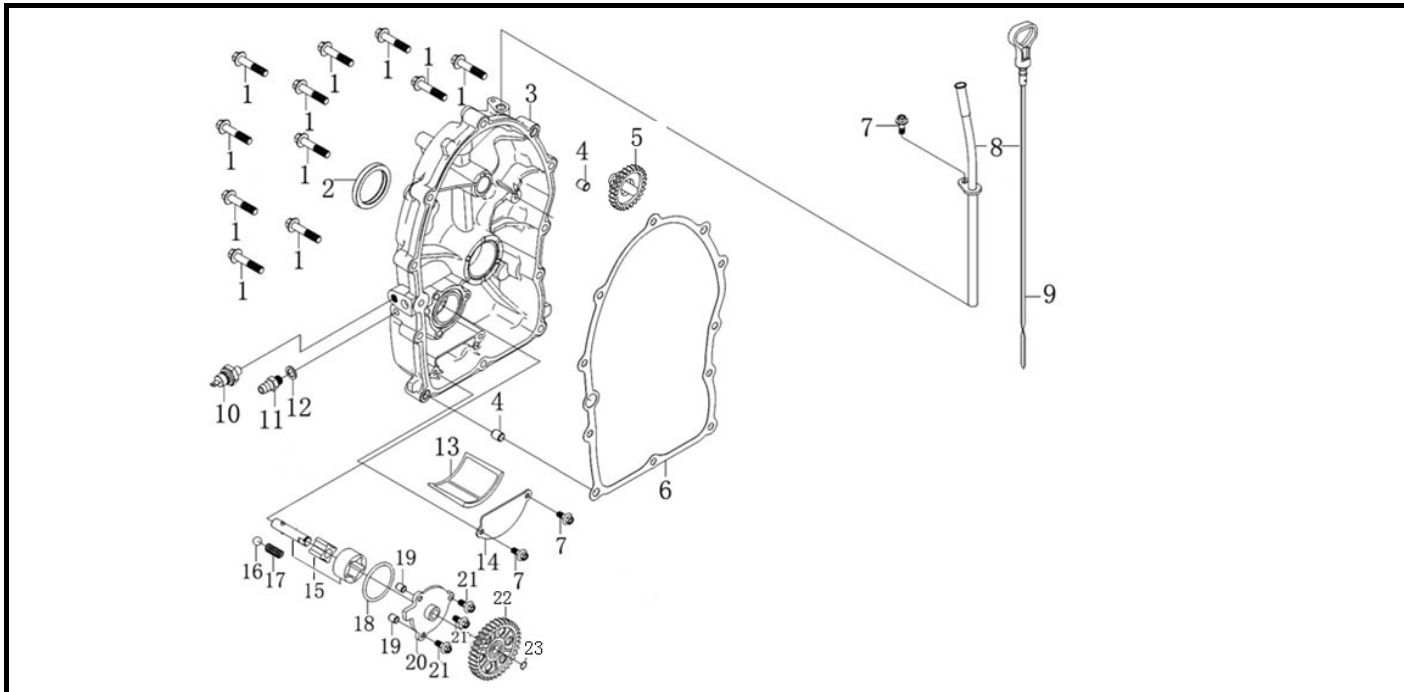
(CRANKCASE)

No.	Part No.	Description	Reqd. QTY	CONSUMABLE GRADE
27	U999-FD042	Components of starting motor	1	B
28	U999-FD043	Hexagon bolt with flange	2	C
29	U999-FD044	air deflector	1	C
30	U999-FD045	RectifierVariable voltage rectifier	1	A
31	U065-FA100	Hexagon nut with flange	2	C
32	U999-FD046	Flat washer	2	C
33	U999-FD047	Starting Relay Support	1	C



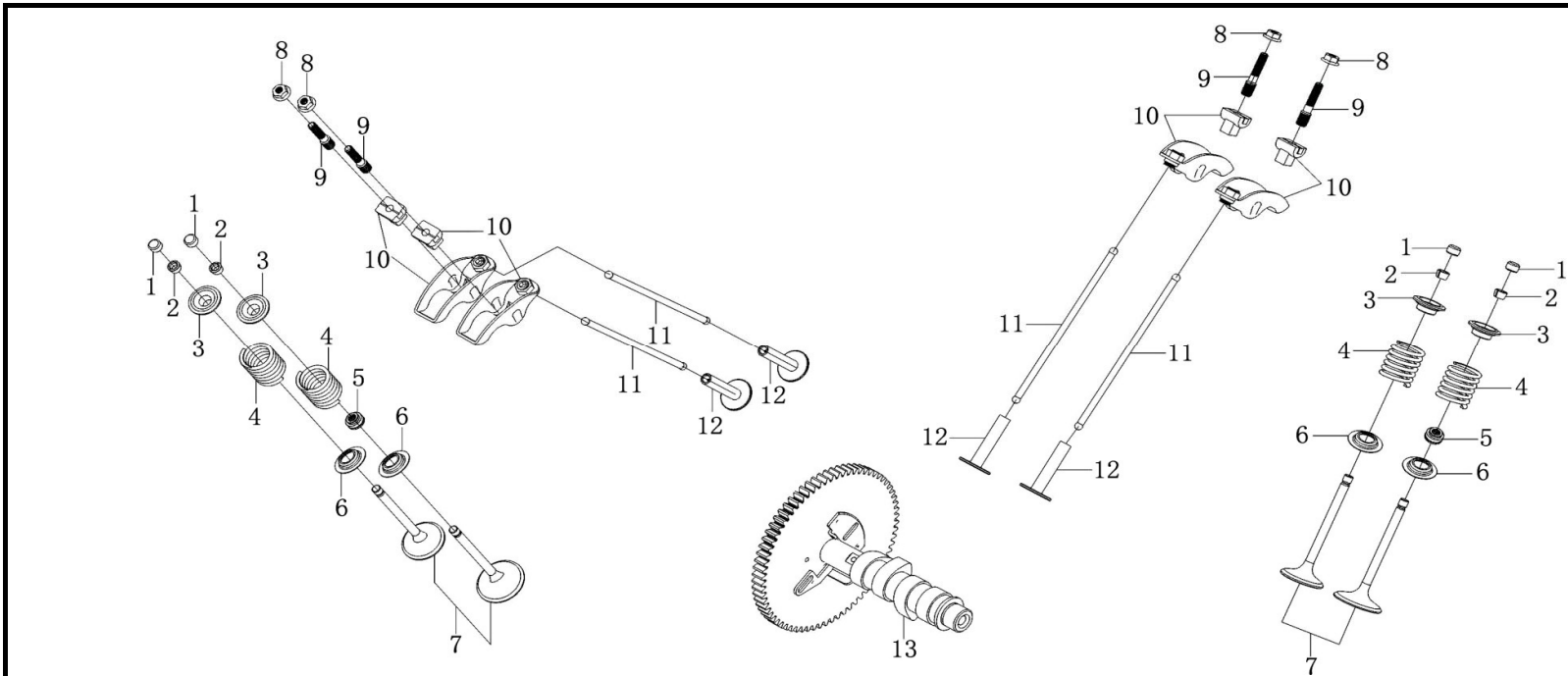
(CRANKCASE COVER)

No.	Part No.	Description	CONSUMABLE GRADE	
			Reqd. QTY	
1	U065-FA005	Hexagon bolt with flange	11	C
2	U999-FD048	Oil seal	1	B
3	U999-FD049	Crankcase cover	1	C
4	U077-F0047	ocation pin	2	C
5	U999-FD050	Components of governor gear	1	B
6	U999-FD051	Crankcase cover gasket	1	A
7	U065-FA097	Hexagon bolt with flange	3	C
8	U999-FD052	Oil rule combination	1	B
9	U999-FD010	Oil rule combination	1	B
10	U999-FD054	Oil level alarm	1	A
11	U999-FD027	coupling	1	C
12	U065-FA042	Flat washer	1	C
13	U999-FD056	Engine oil Strainer	1	A



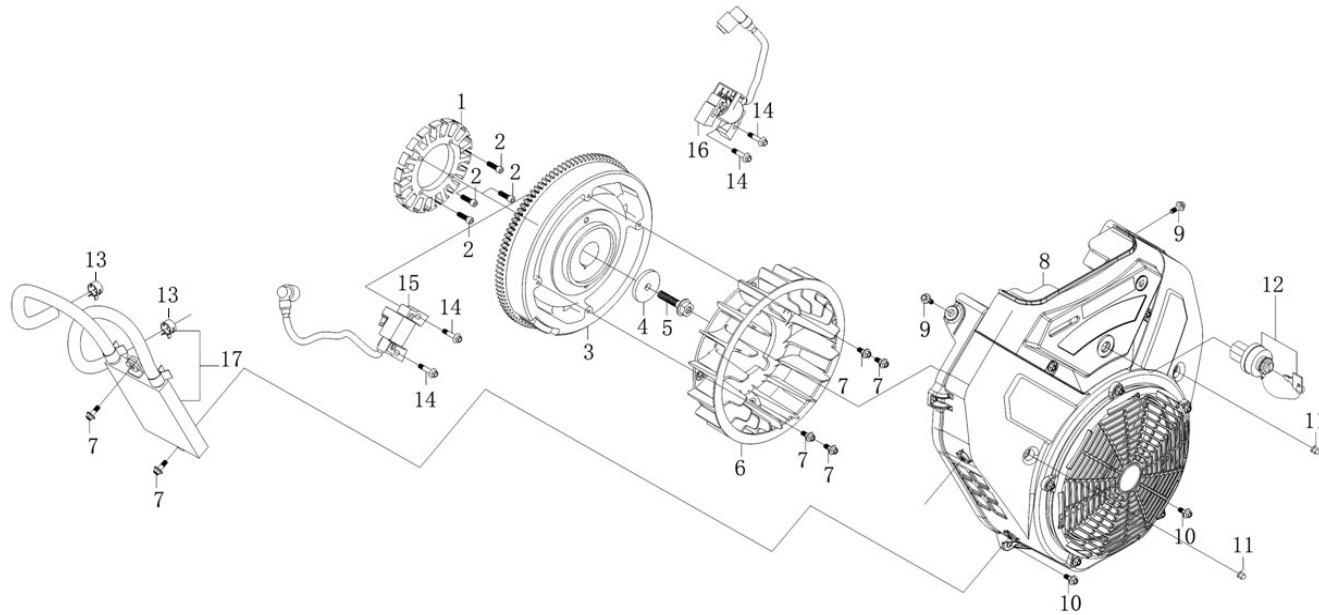
(CRANKCASE COVER)

No.	Part No.	Description	Reqd. QTY	CONSUMABLE GRADE
14	U999-FD057	Cover,Oil Strainer	1	C
15	U999-FD058	Components of oil pump	1	B
16	U077-F0034	Steel ball	1	C
17	U999-FD059	Compression spring	1	A
18	U999-FD060	Seal ring	1	A
19	U065-FA034	ocation pin	2	C
20	U999-FD061	Oil pump cover	1	C
21	U092-F0091	Hexagon bolt with flange	3	C
22	U999-FD062	oil pump Driven wheel	1	C
23	U999-FD063	Pin clip	1	B



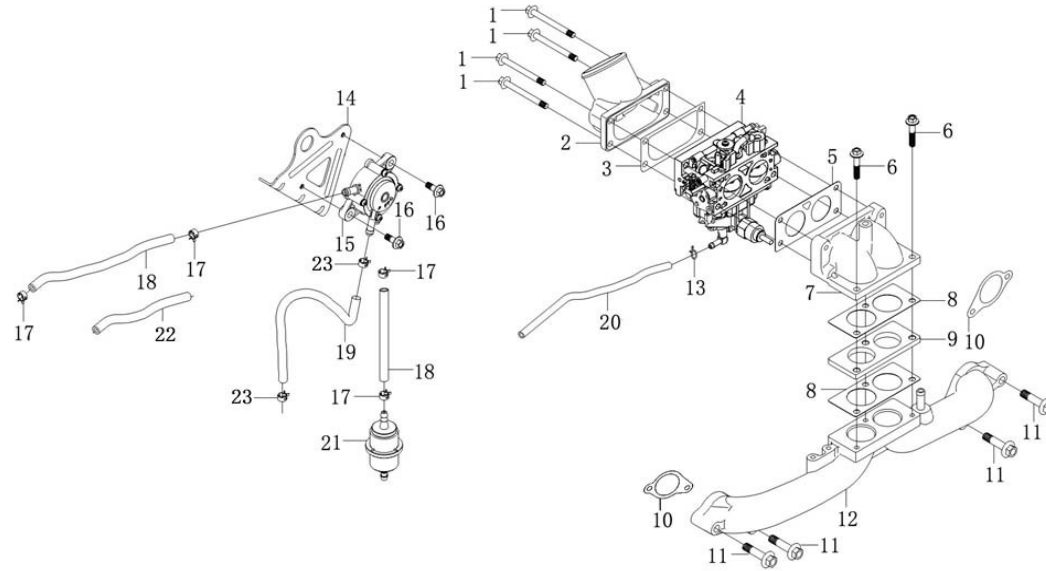
(ROCKER,CAMSHAFT)

No.	Part No.	Description	Reqd. QTY	CONSUMABLE GRADE
1	U999-FD070	Valve adjustment cap	4	B
2	U077-F0108	Valve locker	8	B
3	U077-F0107	Retainer, valve spring	4	B
4	U077-F0106	Inner spring of valve	4	B
5	U077-F0105	Valve oil seal	2	B
6	U077-F0104	Seat, valve spring	4	B
7	U999-FD071	Valve Kit	2	B
8	U065-FA100	Hexagon nut with flange	4	C
9	U999-FD072	Stud	4	C
10	U999-FD073	Valve rocker combination	4	B
11	U999-FD074	Push rod	4	B
12	U999-FD075	Lifter, Valve	4	B
13	U999-FD076	Camshaft assy	1	B



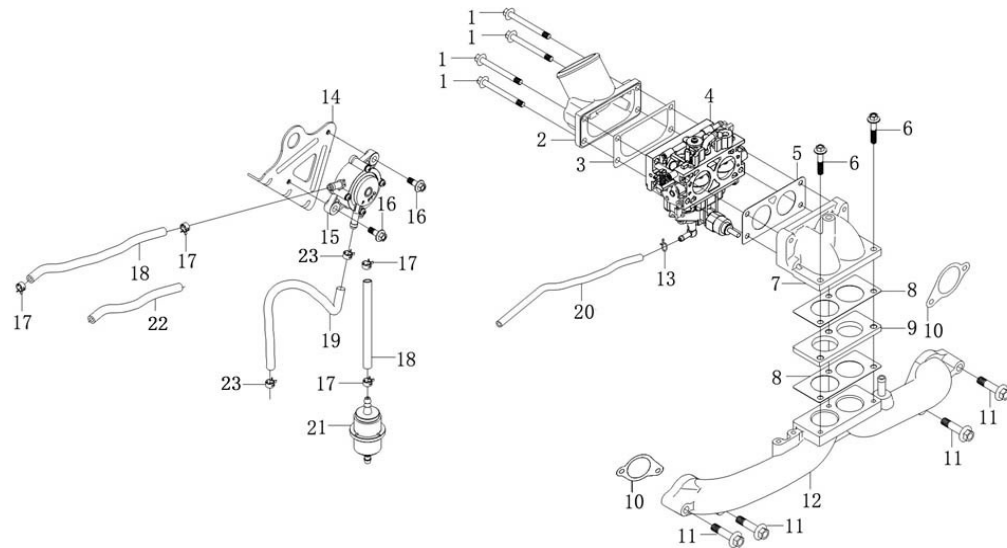
(FLYWHEEL)

No.	Part No.	Description	Reqd. QTY	CONSUMABLE GRADE
1	U999-FD077	Components of charging current armature	1	A
2	U999-FD078	Socket head screw	4	C
3	U999-FD079	FLYWHEEL COMP	1	B
4	U999-FD080	Flat washer	1	C
5	U077-F0085	Hexagon bolt with flange	1	C
6	U999-FD081	Impeller	1	B
7	U092-F0091	Hexagon bolt with flange	6	C
8	U999-FD082	Fan cover comp.	1	B
9	U077-F0061	Hexagon bolt with flange	2	C
10	U092-F0034	Hexagon bolt with flange	2	C
11	U065-FE105	Cap nut	2	C
12	U999-FD083	Start control switch	1	A
13	U999-FD084	Clip combination	4	C
14	U092-F0026	Hexagon bolt with flange	4	C
15	U999-FD085	COIL ASSY.,IGNNTION	1	A
16	U999-FD086	COIL ASSY.,IGNNTION	1	A
17	U999-FD087	Heat sink Part	1	B



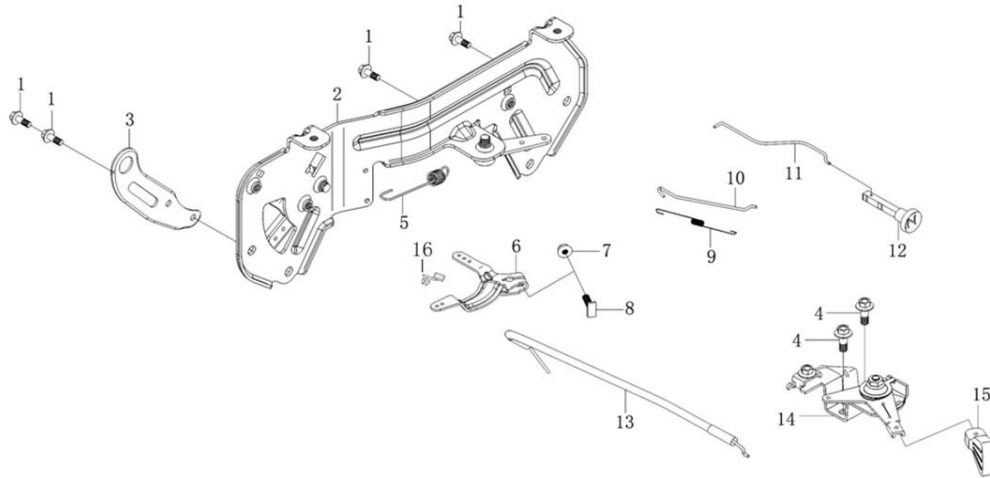
(CARBURETOR)

No.	Part No.	Description	Reqd. QTY	CONSUMABLE GRADE
1	U999-FD088	Hexagon bolt with flange	4	C
2	U999-FD089	Air filter seat	1	B
3	U999-FD090	Carburetor gasket	1	A
4	U999-FD091	Carburetor	1	B
5	U999-FD092	Carburetor gasket	1	A
6	U092-F0026	Hexagon bolt with flange	2	C
7	U999-FD093	Intake pipe	1	C
8	U999-FD094	Carburetor gasket	2	A
9	U999-FD095	Heat insulating pad for carburetor	1	B
10	U999-FD096	Carburetor gasket	2	A
11	U999-FD097	Hexagon bolt with flange	4	C
12	U999-FD098	Intake pipe	1	C
13	U999-FD099	Pipe clip	1	A



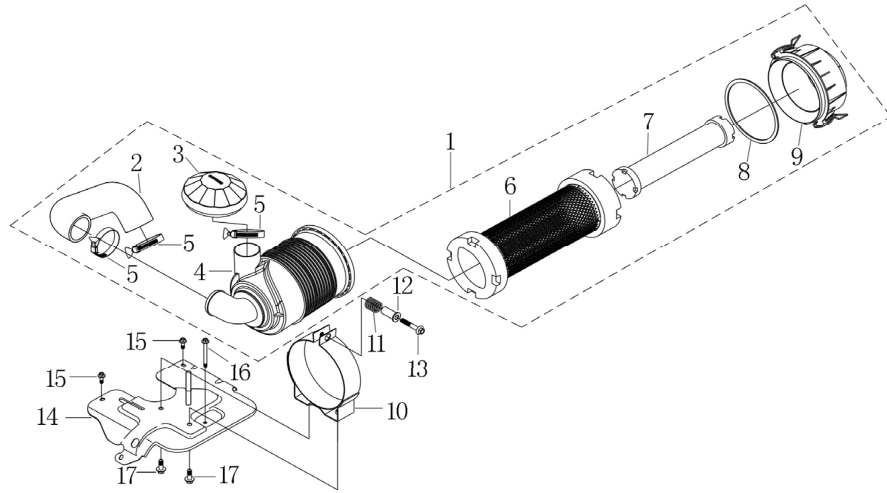
(CARBURETOR)

No.	Part No.	Description	Reqd. QTY	CONSUMABLE GRADE
14	U999-FD100	Gasoline pump bracket	1	C
15	U999-FD101	Gasoline pump	1	A
16	U092-F0091	Hexagon bolt with flange	2	C
17	U077-F0015	Clip combination	4	A
18	U999-FD102	Oil tube	2	A
19	U999-FD103	Breather tube	1	A
20	U999-FD104	Oil tube	1	A
21	U077-F0018	Fuel filter	1	A
22	U999-FD105	Protective sleeve	1	A
23	U999-FD106	Clip combination	2	C



(CONTROL)

No.	Part No.	Description	Reqd. QTY	CONSUMABLE GRADE
1	U092-F0034	Hexagon bolt with flange	4	C
2	U999-FD107	Support plate for speed regulating	1	B
3	U999-FD108	Lifting eye	1	C
4	U065-FA097	Hexagon bolt with flange	2	C
5	U999-FD109	Governing spring	1	A
6	U999-FD110	Speed regulating bracket	1	C
7	U999-FD111	Hexagon nut with flange	1	C
8	U999-FD112	Square head set screw with flat point	1	C
9	U999-FD113	throttle return spring	1	A
10	U999-FD114	Throttle rod	1	B
11	U999-FD115	Choke valve pull rod	1	B
12	U999-FD116	Choke valve handle combination	1	A
13	U999-FD117	Throttle cable	1	A
14	U999-FD118	Throttle handle combination	1	B
15	U999-FD119	Throttle handle Rubber sleeve	1	A
16	U999-FD120	Throttle locker	1	A



(AIR CLEANER)

No.	Part No.	Description	Reqd. QTY	CONSUMABLE GRADE
1	U999-FD121	Air filter	1	B
2	U999-FD122	Air filter connecting tube	1	A
3	U999-FD123	INLET COVER,AIR CLEANER	1	B
4	U999-FD124	Air filter seat	1	B
5	U999-FD125	Clip combination	3	A
6	U999-FD126	Air filter element combination	1	A
7	U999-FD127	Air filter element combination	1	A
8	U999-FD128	Seal ring	1	A
9	U999-FD129	Air filter casing cover	1	B
10	U999-FD130	Air filter seat body	1	B
11	U999-FD131	Compression spring	1	A
12	U999-FD132	Bushing	1	C
13	U999-FD133	Hexagon bolt with flange	1	C

