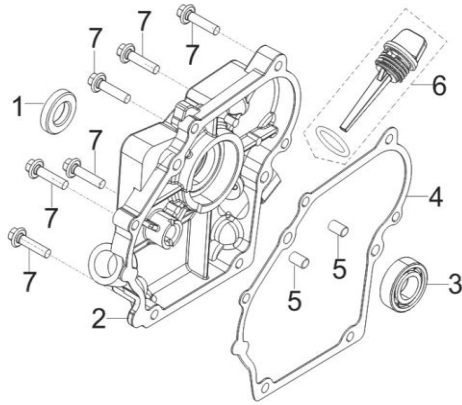
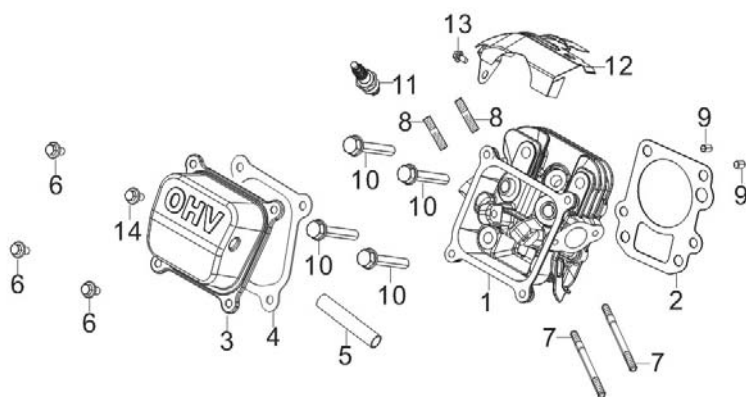


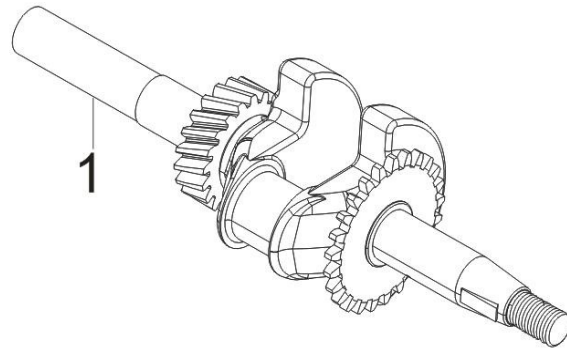
| CRANKCASE. / GEAR ASSY, GOVERNOR. | | | |
|--|------------|--------------------------|------|
| NO | ART | NAME | Q'TY |
| 1 | U100-00011 | SEAL, OIL | 1 |
| 2 | U210-00015 | BOLT, DRAIN PLUG | 1 |
| 3 | U210-00016 | WASHER, FLAT | 1 |
| 4 | U080-00001 | CRANKCASE SUBASSEMBLY. | 1 |
| 5 | U080-00002 | BEARING DEEP GROOVE BALL | 1 |
| 6 | U080-00003 | GEAR ASSY, GOVERNOR | 1 |
| 7 | U080-00004 | ARM, GOVERNOR | 1 |
| 8 | U210-00019 | WASHER, FLAT | 1 |
| 9 | U210-00020 | PIN | 1 |
| 10 | U080-00005 | SEAL, OIL | 1 |



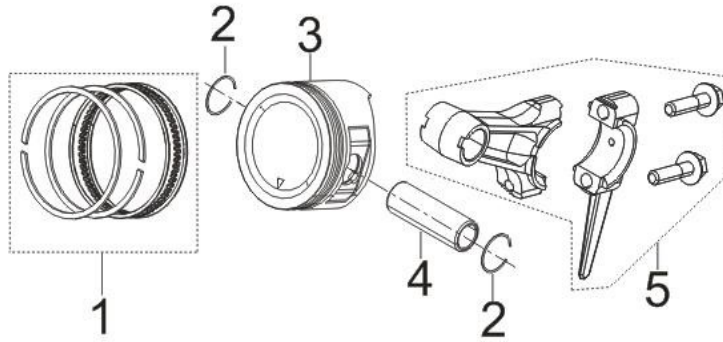
| COVER SUBASSEMBLY, CRANKCASE | | | |
|-------------------------------------|------------|---------------------------|------|
| NO | NAME | NAME | Q'TY |
| 1 | U100-00011 | SEAL, OIL | 1 |
| 2 | U080-00006 | COVER, CRANKCASE | 1 |
| 3 | U080-00007 | BEARING, DEEP GROOVE BALL | 1 |
| 4 | U080-00008 | GASKET, CRANKCASE | 1 |
| 5 | U100-00021 | PIN | 2 |
| 6 | U100-00022 | DIPSTICK SUBASSEMBLY, OIL | 1 |
| 7 | U100-00023 | BOLT | 6 |



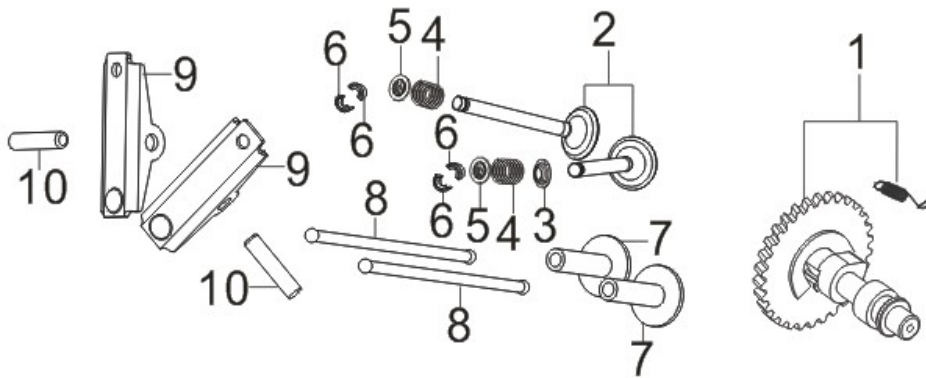
| HEAD SUBASSEMBLY, CYLINDER / PLUG, SPARK | | | |
|---|------------|----------------------------------|-------------|
| NO | ART | NAME | Q'TY |
| 1 | U080-00009 | HEAD SUBASSEMBLY, CYLINDER | 1 |
| 2 | U080-00010 | GASKET, CYLINDER HEAD | 1 |
| 3 | U080-00011 | COVER SUBASSEMBLY, CYLINDER HEAD | 1 |
| 4 | U080-00012 | GASKET, CYLINDER HEAD COVER | 1 |
| 5 | U080-00013 | TUBE, BREATHER | 1 |
| 6 | U210-00005 | BOLT | 3 |
| 7 | U100-00006 | BOLT | 2 |
| 8 | U210-00007 | BOLT | 2 |
| 9 | U100-00007 | PIN | 2 |
| 10 | U100-00008 | BOLT, CYLINDER HEAD | 4 |
| 11 | U080-00014 | PLUG, SPARK | 1 |
| 12 | U080-00015 | SHROUD, CYLINDER BODY | 1 |
| 13 | U210-00060 | BOLT | 1 |
| 14 | U210-00108 | BOLT | 1 |



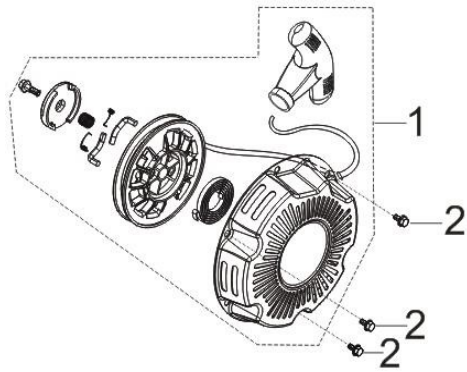
| ROD,CRANKSHAFT CONNECTING | | | |
|----------------------------------|------------|------------------|------|
| NO | ART | NAME | Q'TY |
| 1 | U080-00016 | CRANKSHAFT ASSY. | 1 |



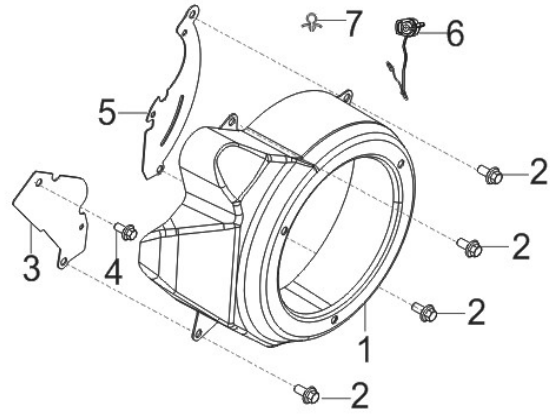
| RING SET,OIL / ROD,CRANKSHAFT CONNECTING | | | |
|---|------------|-------------------|------|
| NO | ART | NAME | Q'TY |
| 1 | U080-00017 | RING ASSY, PISTON | 1 |
| 2 | U080-00018 | CLIP, PISTON PIN | 2 |
| 3 | U080-00019 | PISTON | 1 |
| 4 | U080-00020 | PIN, PISTON | 1 |
| 5 | U080-00021 | ROD, CONNECTING | 1 |



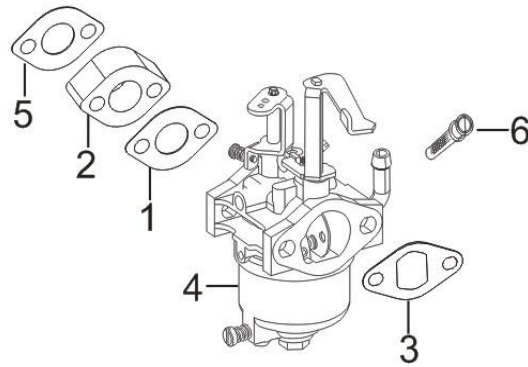
| TRAIN,VALVE / CAMSHAFT SUBASSEMBLY | | | |
|---|------------|---------------------------|-------------|
| NO | ART | NAME | Q'TY |
| 1 | U080-00022 | CAMSHAFT ASSY. | 1 |
| 1 | U080-00023 | VALVES SET | 1 |
| 1 | U080-00024 | GUIDE, SEAL | 1 |
| 1 | U100-00036 | SPRING, VALVE | 2 |
| 1 | U080-00025 | SEAT, VALVE SPRING | 2 |
| 1 | U080-00026 | CLAMP, VALVE LOCK | 4 |
| 1 | U080-00027 | TAPPET, VALVE | 2 |
| 1 | U080-00028 | LIFTER, VALVE | 2 |
| 1 | U080-00029 | ROCKER SUBASSEMBLY, VALVE | 2 |
| 1 | U080-00030 | SHAFT, VALVE ROCKER | 2 |



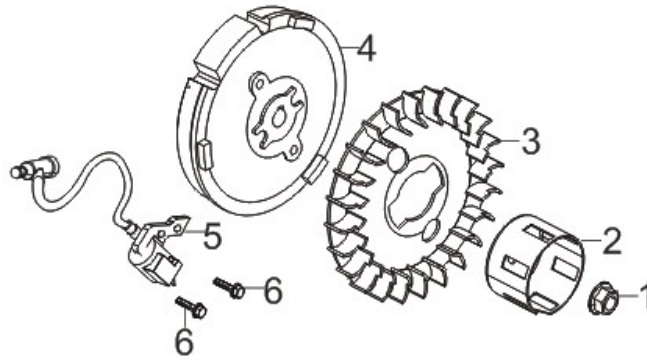
| STARTER,RECOIL | | | |
|-----------------------|------------|----------------------|------|
| NO | ART | NAME | Q'TY |
| 1 | U080-00031 | STARTER ASSY, RECOIL | 1 |
| 2 | U210-00054 | BOLT | 3 |



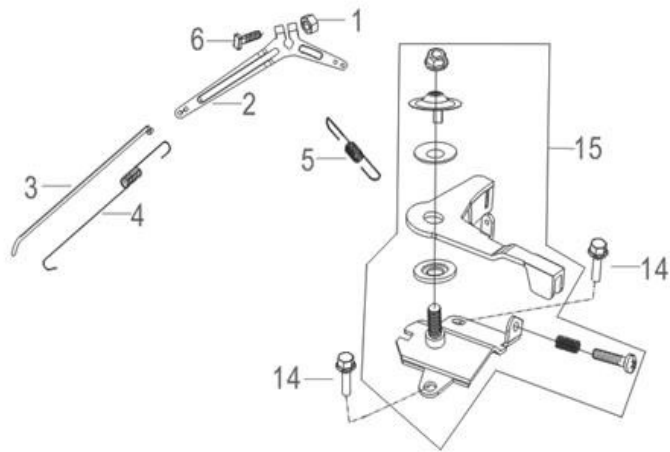
| SHROUD / SHIELD,LOWER | | | |
|------------------------------|------------|---------------------------------|-------------|
| NO | ART | NAME | Q'TY |
| 1 | U080-00032 | SHROUD | 1 |
| 2 | U210-00005 | BOLT | 4 |
| 3 | U100-00047 | DEFLECTOR, CRANKCASE AIR | 1 |
| 4 | U210-00060 | BOLT | 1 |
| 5 | U100-00049 | SHIELD, SHROUD | 1 |
| 6 | U210-00058 | SWITCH SUBASSEMBLY, STOP ENGINE | 1 |
| 7 | U080-00033 | CLIP | 1 |



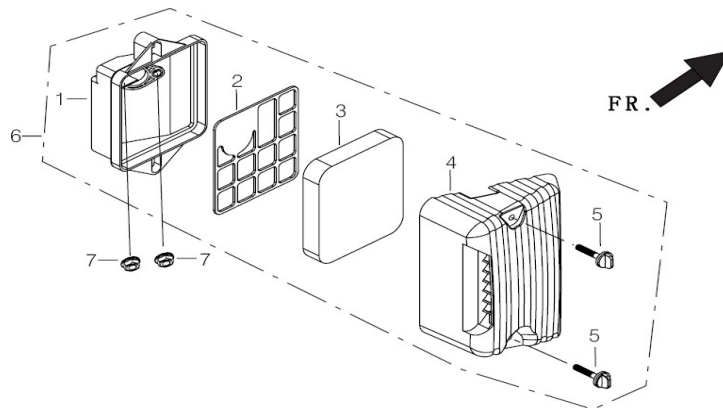
| CARBURETOR ASSY. | | | |
|-------------------------|------------|-----------------------------|-------------|
| NO | ART | NAME | Q'TY |
| 1 | U100-00050 | GASKET, CARBURETOR | 1 |
| 2 | U080-00034 | PLATE, CARBURETOR INSULATOR | 1 |
| 3 | U100-00052 | GASKET, AIR CLEANER | 1 |
| 4 | U080-00035 | CARBURETOR ASSY. | 1 |
| 5 | U080-00036 | GASKET, INLET | 1 |
| 6 | U080-00037 | STRAINER, FUEL | 1 |



| FLYWHEEL / IMPELLER / STARTER PULLEY / IGNITION COIL | | | |
|---|------------|----------------------|------|
| NO | ART | NAME | Q'TY |
| 1 | U100-00068 | NUT, FLYWHEEL | 1 |
| 2 | U080-00038 | PULLEY,STARTER | 1 |
| 3 | U080-00039 | IMPELLER | 1 |
| 4 | U100-00071 | FLYWHEEL SUBASSEMBLY | 1 |
| 5 | U080-00040 | COIL, IGNITION | 1 |
| 6 | U100-00072 | BOLT | 2 |

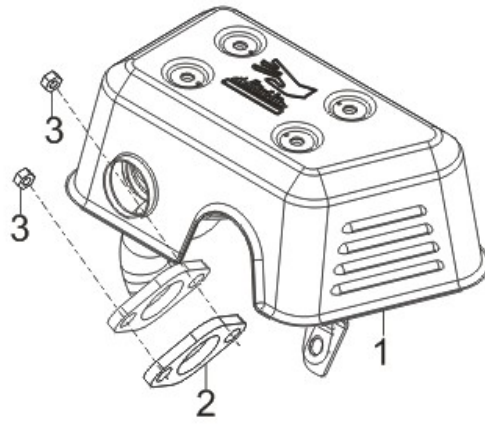


| CONTROL ASSY, THROTTLE | | | |
|-------------------------------|------------|----------------------------------|-----|
| NO | ART | NAME | QTY |
| 1 | U100-00057 | NUT | 1 |
| 2 | U080-00041 | SUPPORT SUBASSEMBLY, GOVERNOR | 1 |
| 3 | U080-00042 | ROD, GOVERNEOR | 1 |
| 4 | U100-00077 | SPRING, THROTTLE VALVE RETURNING | 1 |
| 5 | U080-00043 | SPRING, GOVERNOR | 1 |
| 6 | U210-00094 | BOLT, GOVERNOR SUPPORT | 1 |
| 7 | U210-00054 | BOLT | 2 |
| 8 | U080-00044 | CONTROL ASSY, THROTTLE | 1 |



CLEANER, AIR

| NO | ART | NAME | Q'TY |
|-------|------------|----------------------|------|
| F01-3 | U100-00054 | AIR CLEANER ELEMENT | 1 |
| F01-5 | U100-00055 | SCREW | 2 |
| F01-6 | U100-00056 | AIR CLEANER ASSEMBLY | 1 |
| | U100-00057 | NUT | 2 |



| MUFFLER ASSY. | | | |
|----------------------|------------|------------------------|------|
| NO | ART | NAME | Q'TY |
| 1 | U080-00045 | MUFFLER ASSY. | 1 |
| 2 | U100-00059 | GASKET, EXHAUST OUTLET | 1 |
| 3 | U210-00072 | NUT | 2 |