

PARTS MANUAL

Models

SX30

ENGINES

PUB-EP6694
Rev. 03/10

Robin America, Inc.

905 Telser Road, Lake Zurich, IL 60047 • Phone: 847-540-7300 • Fax:847-438-5012
e-mail: sales@robinamerica.com • www.subarupower.com

© Copyright 2010 Robin America, Inc.

MANUAL LAYOUT

1— SECTION 6 FUEL GROUP

2— FIG. 600

3

4

5

6

7

8

9

10

20,27

30

31

40

50

DETAIL A

1— SECTION 6 FUEL GROUP

REF.	PART NO.	DESCRIPTION	QTY.	REMARKS	FROM-TO	FIG.
10	267-60103-01	FUEL TANK CP	1	YD, YS TYPE, BLACK		600
27	267-60101-01	FUEL TANK CP	1	YELLOW		600
27	073-20039-00	LABEL, WARNING	1	YD, YS TYPE		600
30	043-04300-15	FUEL TANK CAP CP	1			600
31	267-95201-03	LABEL, EMISSION	1	YD, YS TYPE		600
40	064-13600-10	FUEL FILTER	1			600
50	064-20021-01	FUEL STRAINER AY	1			600
-1	064-20002-20	FILTER	1			600
-2	064-20002-30	GASKET	1			600
-3	064-20019-10	CUP	1			600

1. SECTION NAME Parts are broadly classified according to their functions. Refer to the Group Index (table of contents) for respective section name.
2. FIG. No. The FIG. number indexes the reference and part numbers to the illustration. Figure numbers that vary only in the tens place (i.e.: 700 and 710) are in a group of the same section (i.e.: Electrical Device Group).
3. REF. No. The Reference number identifies the part illustration with the corresponding part number in the part list.
4. SUBASSEMBLY SUBASSEMBLY parts of part assembly are listed below the assembly part. The subassembly part reference number is indicated by the number led by "-" such as "-1", "-2".
5. PART NUMBER It is the number assigned for sales unit. Use the PART No. when making an order.
6. DESCRIPTION It is designation of the part.
7. QTY. Quantity of each part used for each product.
8. REMARKS This gives a distinctive feature and/or a supplementary comment for the type, the specification, and the part concerned. It also shows part number(s) interchangeable for the part.
9. FROM-TO This section shows the CODE No. to indicate the history of progress in which improved parts have been introduced in the product. The FROM-TO CODE No. helps to identify PART No. being employed in the product concerned. See the examples below:
 - The part is used in the product irrespective of CODE No.
 - 2101- The part is used in the products with CODE No. of 2101 and after this number.
 - 2100 The part is used in the products with CODE No. of 2100 and before this number.

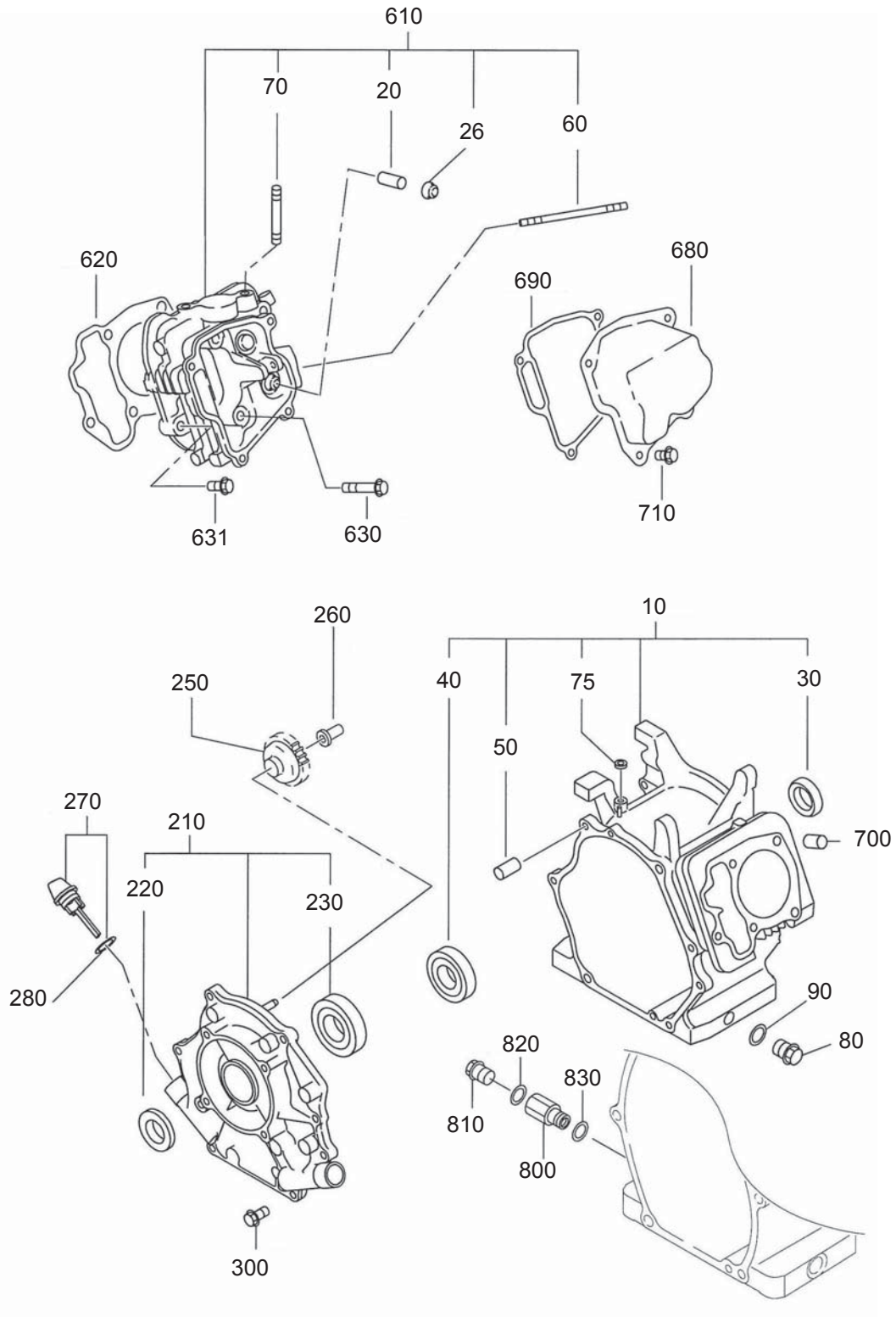
GROUP INDEX

Group Name	Page
CRANKCASE GROUP	6
CRANKSHAFT GROUP	8
INTAKE and EXHAUST GROUP	10
GOVERNOR GROUP	14
COOLING and STARTING GROUP	16
FUEL, LUBRICANT GROUP	18
CARBURETOR GROUP	20
ELECTRIC DEVICE GROUP	22
ACCESSORY GROUP	24

INDEX OF DESCRIPTION SYMBOLS			
SYMBOL	DESCRIPTION	SYMBOL	DESCRIPTION
AY	ASSEMBLY	P=	PITCH (in mm)
CP	COMPLETE	P.T.O. (PTO)	POWER TAKE OFF
EX	EXPORT (from Japan)	REF.	REFERENCE
FIG	FIGURE	R.H. (RH)	RIGHT HAND SIDE
FR.	FRONT	RR.	REAR
"	INCH	STD.	STANDARD
INCL.	INCLUDE	SW	SWITCH
~L	LITER	T=	THICKNESS (in mm)
L=	LENGTH (in. mm)	UN	UNIT
L.H. (LH)	LEFT-HAND SIDE	U.S.	UNDER SIZE
MECH	MECHANICAL	~V	VOLTAGE
NO (NON)	NONE	~W	WATT
OPT.	OPTIONAL	W/	WITH
O.S.	OVER SIZE	W/O	WITHOUT

SECTION 1 CRANKCASE GROUP

FIG. 100

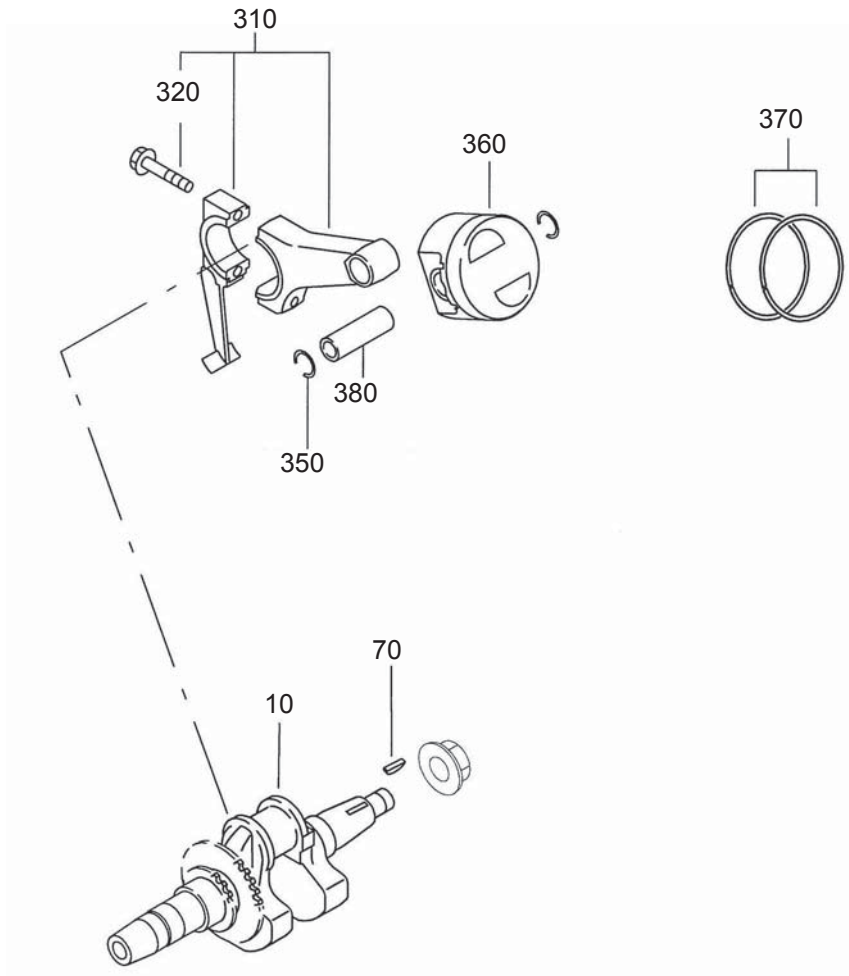


SECTION 1 CRANKCASE GROUP

Ref.	Part Number	Description	Qty	Remarks	To-From	Fig.
10 21	C-10101-01	Crankcase Cp	1			100
20 237	14202-03	Valve Guide	2			100
26 277	16010-01	Stem Seal	1			100
30 044	03001-60	Oil Seal	1			100
40 060	03003-41	Ball Bearing	1			100
50 277	1501 1-03	Pipe Knock	2			100
60 010	50604-10	Stud	2			100
70 010	50802-50	Stud	2			100
75 044	00600-20	Oil Seal	1			100
80 040-1	1400-30	Plug	1			100
90 021-1	1400-20	Gasket	1			100
210	279-11002-11	Main Bearing Cover Cp	1			100
220 044	03001-60	Oil Seal	1			100
230 060	03003-70	Ball Bearing	1			100
250	277-45004-J1	Governor Gear Cp	1			100
260 277	41901-03	Governor Sleeve	1			100
270 279	63601-30	Oil Gauge Ay	2			100
280 279	63601-08	Gasket	2			100
300 001	04083-50	Flange Bolt	7			100
610	279-13001-21	Cylinder Head Cp	1			100
620 279	15001-33	Gasket, head	1			100
630 01	1-00802-40	Flange Bolt	4			100
631 01	1-00803-10	Flange Bolt	1			100
680	277-15503-01	Rocker Cover Cp	1			100
690	277-16001-13	Gasket, rocker cover	1			100
700 277	1501 1-03	Pipe Knock	2			100
710 01	1-00600-20	Flange Bolt	4			100
800 050	21000-30	Union	1			100
810 040-1	1000-11	Plug	1			100
820 021	81000-10	Seal Washer	1			100
830 021	81400-10	Seal Washer	1			100
960 279	99001-37	Gasket Set	1			100

SECTION 2 CRANKSHAFT GROUP

FIG. 200

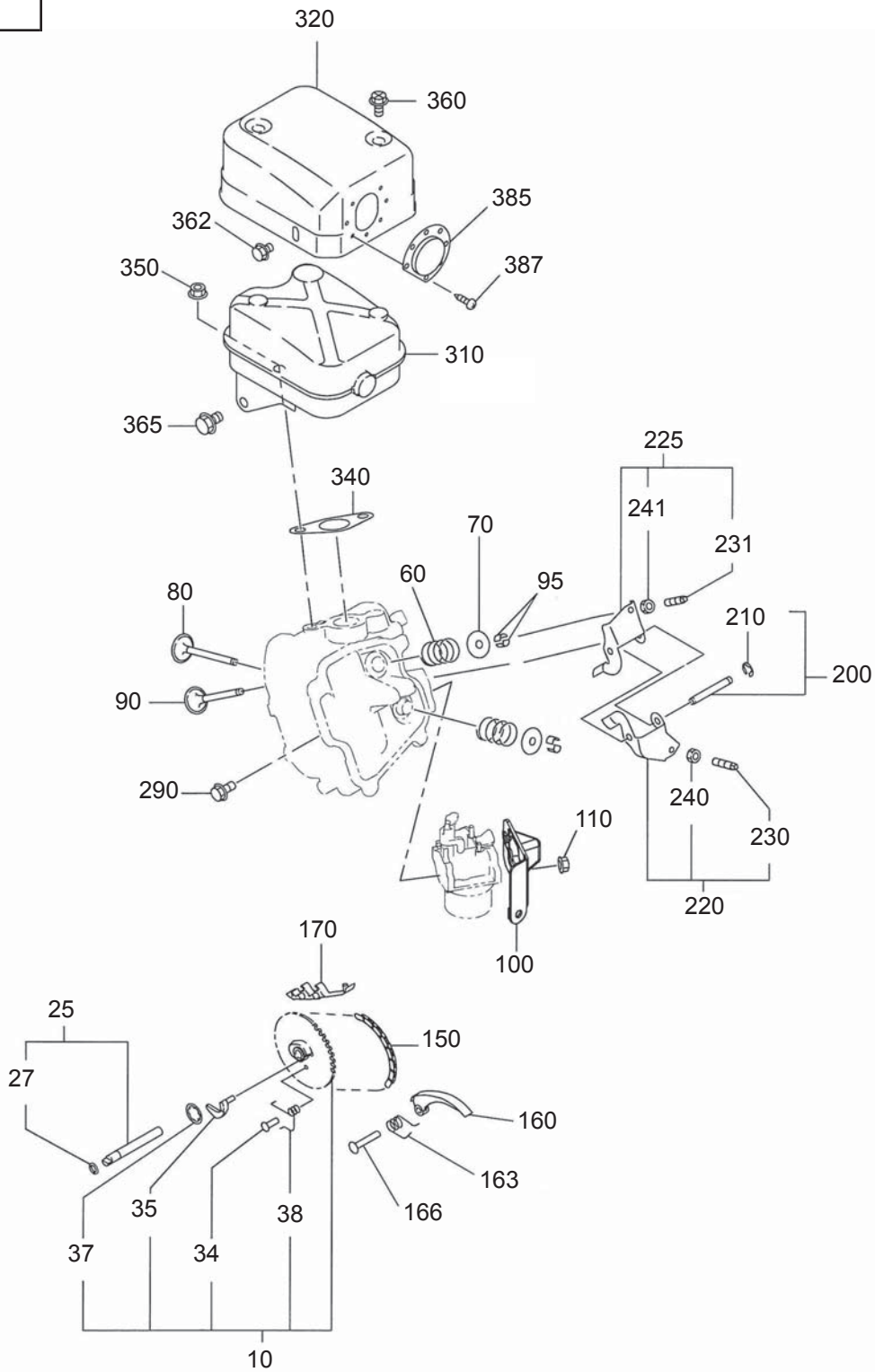


SECTION 2 CRANKSHAFT GROUP

Ref.	Part Number	Description	Qty	Remarks	To-From	Fig.
10 291	1-20901-01	Crankshaft Cp	1			200
70 032	2-30300-10	Woodruff Key	1			200
310 291	2-22501-00	Connecting Rod Ay	1			200
320	279-23001-03	Connecting Rod Bolt	2			200
350 279	2-23301-13	Piston Pin	1			200
360	291-23401-H3	Piston	1			200
370	291-23501-17	Piston Ring Set	1			200
380 056	5-51800-10	Clip	2			200

SECTION 3 INTAKE and EXHAUST GROUP

FIG. 300

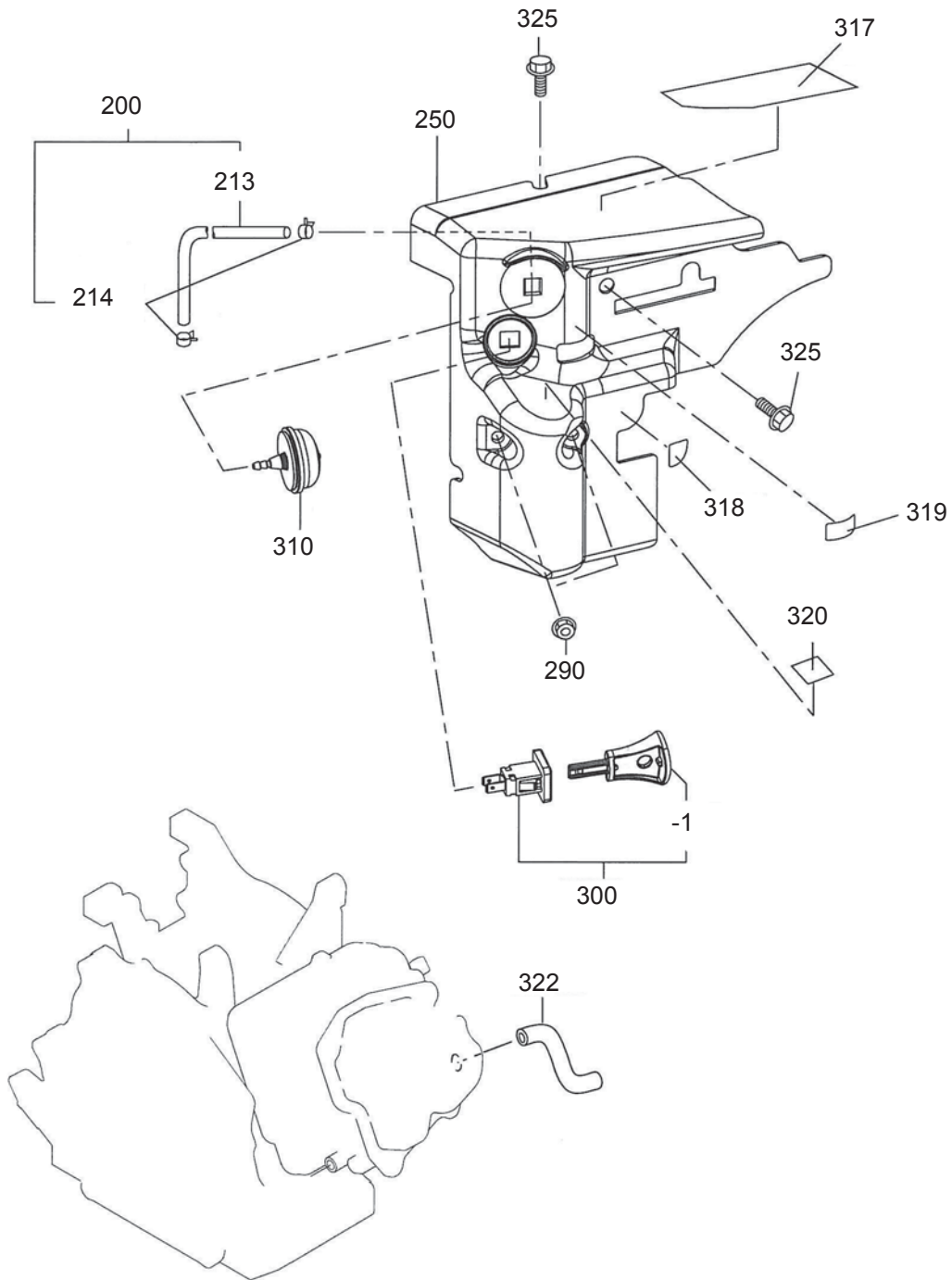


SECTION 3 INTAKE and EXHAUST GROUP

Ref.	Part Number	Description	Qty	Remarks	To-From	Fig.
10	279-31601-01	Camshaft Cp	1			300
25	277-35101-01	Pin Cp, camshaft	1			300
27	024-00600-10	O ring	1			300
34	277-38601-03	Pin, spring	1			300
35	279-36401-03	Release Lever	1			300
37	277-36501-03	Clip	1			300
38	277-38701-03	Return Spring	1			300
60	279-33601-03	Valve Spring	2			300
70	269-33701-03	Spring Retainer	2			300
80	279-33401-H3	Intake Valve	1			300
90	279-33501-H3	Exhaust Valve	1			300
95	132-10KA0-31	Collet Valve	4			300
100	279-39301-02	Bracket Un, snow	1			300
110	002-38060-00	Flange Nut	2			300
150	291-35601-01	Timing Chain Cp	1			300
160	277-3691 1-03	Tentioner	1			300
163	277-37101-03	Spring, tentioner	1			300
166	277-36902-03	Pin, tentioner	1			300
170	277-36913-13	Chain Guide	1			300
200	277-35004-01	Pin Cp, rocker	1			300
210	003-13050-00	Clip	1			300
220	277-36201-00	Rocker Arm Ay, intake	1			300
225	277-36202-00	Rocker Arm Ay, exhaust	1			300
230	014-90500-20	Adjust Screw	1			300
231	014-90500-20	Adjust Screw	1			300
240	017-00500-30	Nut	1			300
241	017-00500-30	Nut	1			300
290	01 1-00600-10	Flange Bolt	1			300
310	279-30101-L1	Muff er Cp	1			300
320	279-34206-03	Muff er Cover	1			300
340	277-35201-13	Gasket, muff er	1			300
350	002-38080-00	Flange Nut	2			300
360	015-20600-90	Tapping Bolt	2			300
361	01 1-00600-10	Flange Bolt	1			300
365	01 1-00803-20	Flange Bolt	1			300
385	277-37203-H1	Screen Cp	1			300
387	015-00400-60	Tapping Screw	2			300

SECTION 3 INTAKE and EXHAUST GROUP

FIG. 330

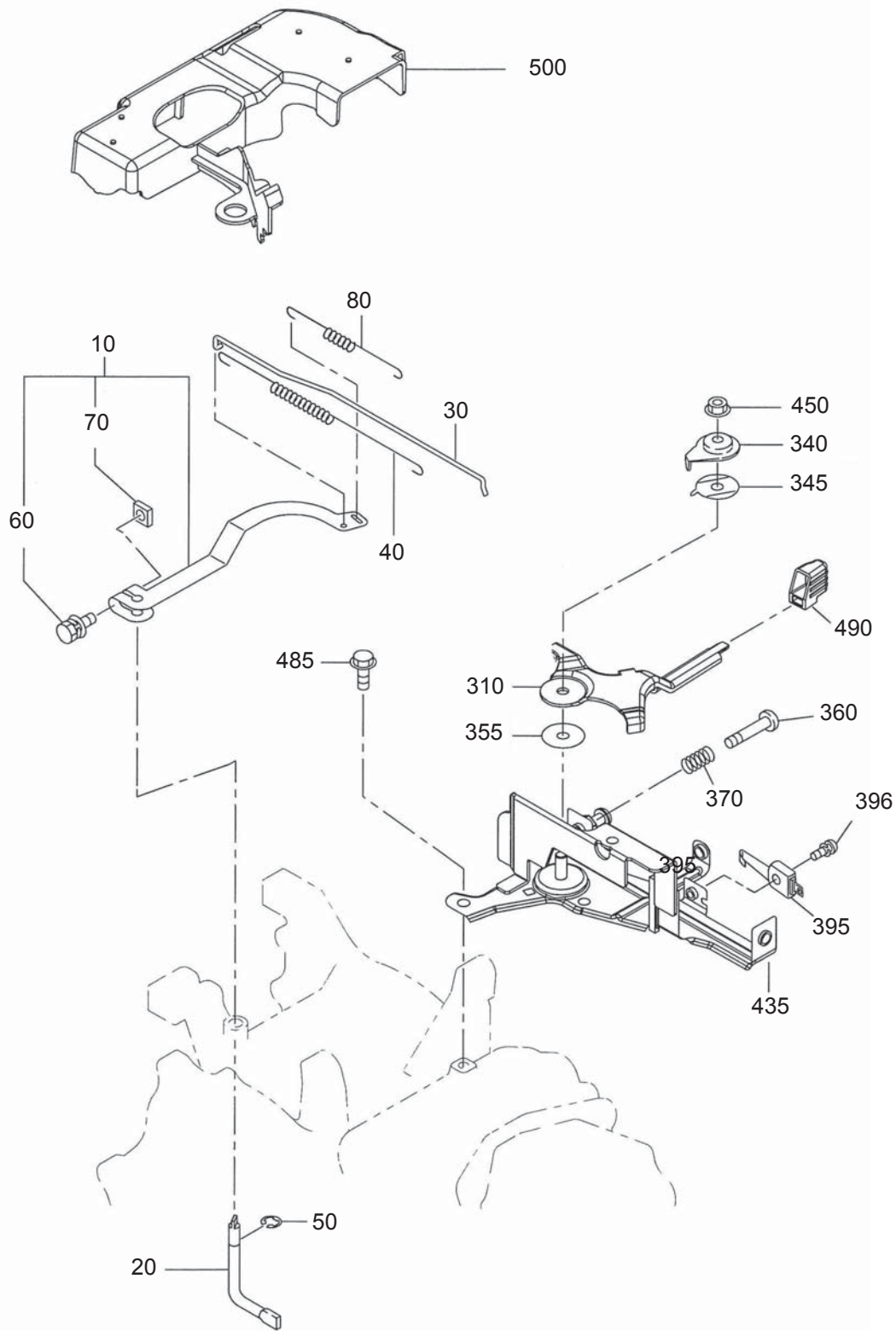


SECTION 3 INTAKE and EXHAUST GROUP

Ref.	Part Number	Description	Qty	Remarks	To-From	Fig.
200	21C-66001-01	Pipe Cp	1			330
213	085-10418-20	Rubber Pipe	1			330
214	056-10800-20	Hose Clamp	2			330
250	279-38101-03	Cover, front	1			330
290	002-38060-00	Flange Nut	2			330
300	277-72601-A0	Switch Ay	1			330
-1	277-72652-A3	Key	1			330
310	277-6221 1-A0	Primer Pump	1			330
317	073-20056-70	Label, warning	1			330
318	073-20056-80	Label, fuel cock	1			330
319	073-20056-90	Label, choke	1			330
320	073-20057-00	Label, key switch	1			330
322	246-10803-03	Rubber Pipe	1			330
325	001-04062-00	Flange Bolt	2			330

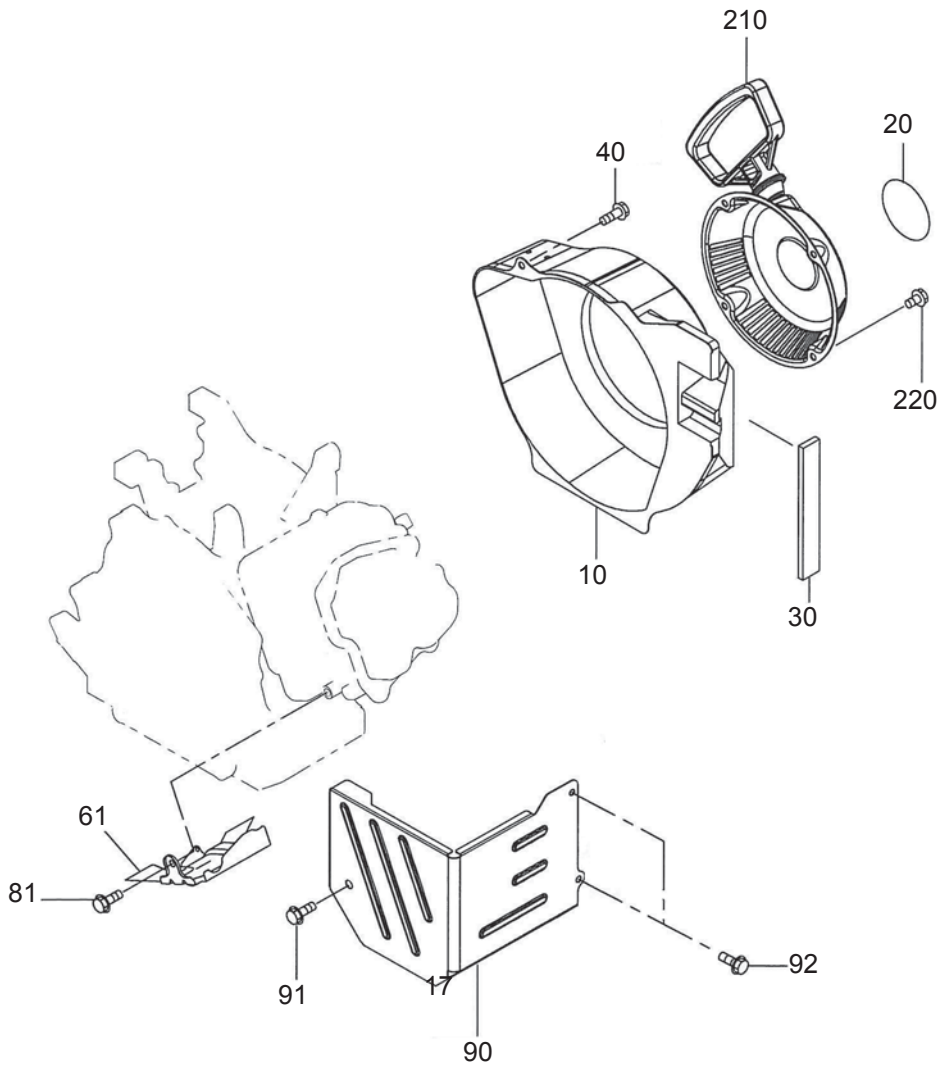
SECTION 4 GOVERNOR GROUP

FIG. 400



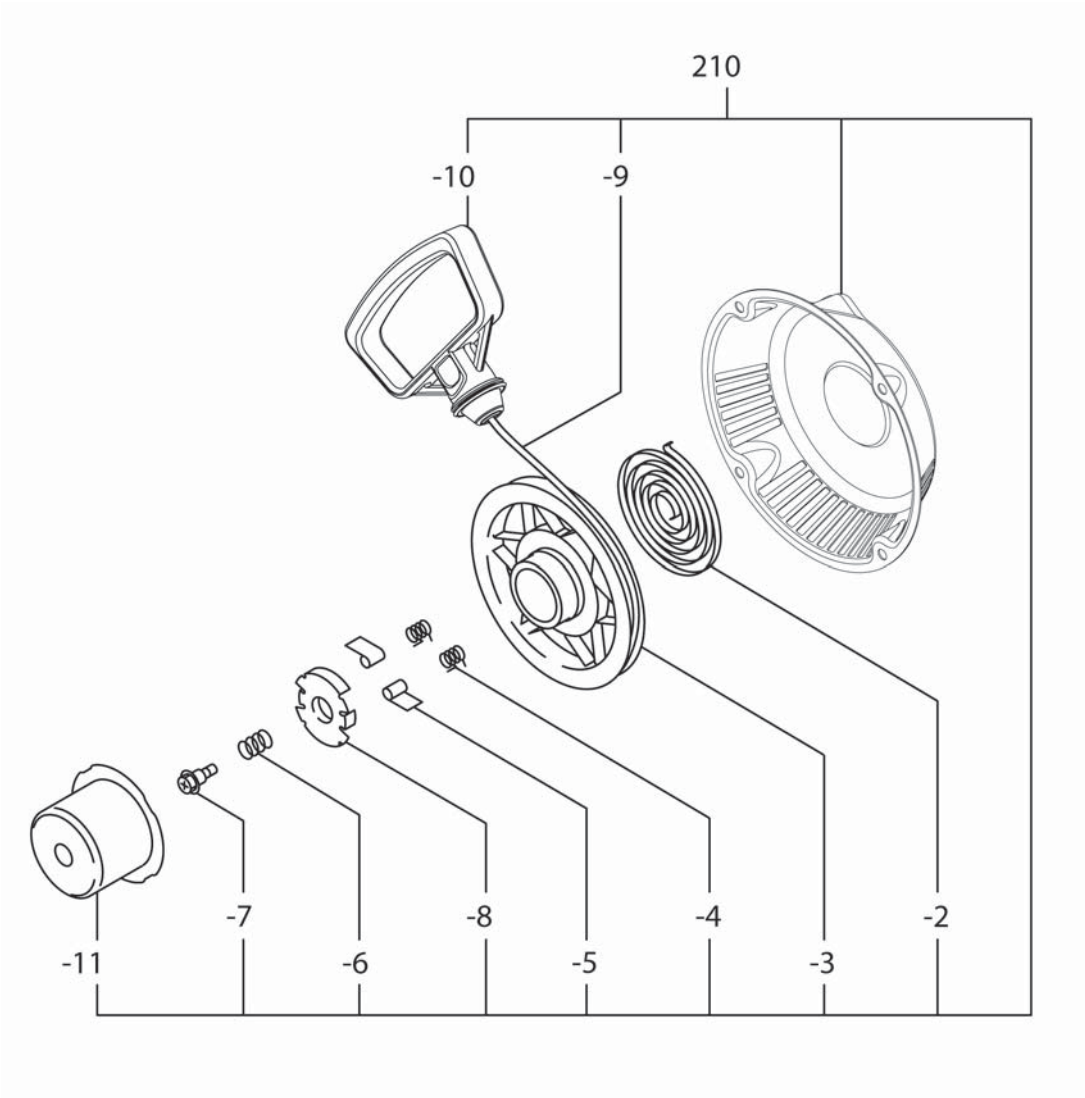
SECTION 5 COOLING and STARTING GROUP

FIG. 500



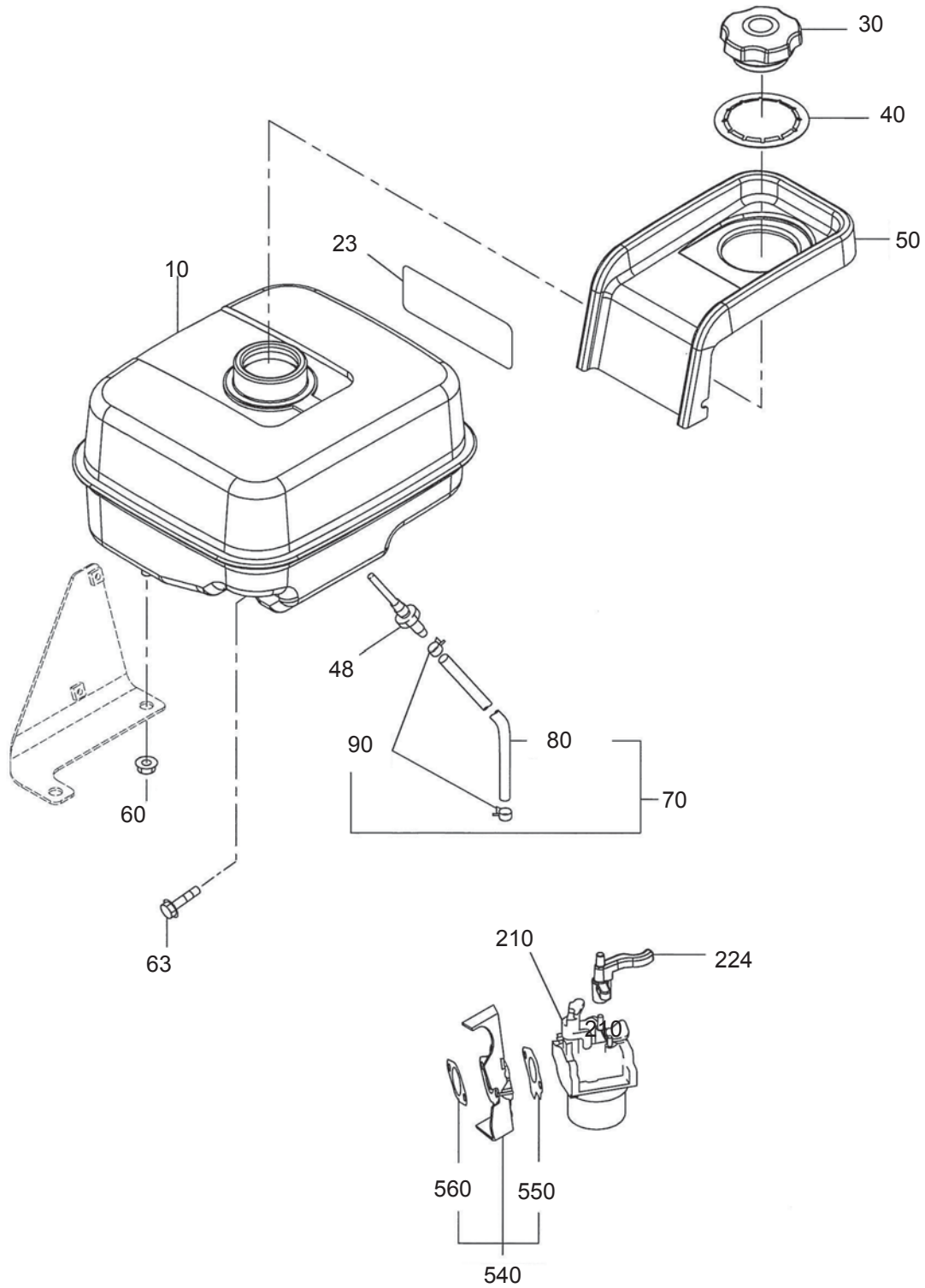
SECTION 5 COOLING and STARTING GROUP

FIG. 520



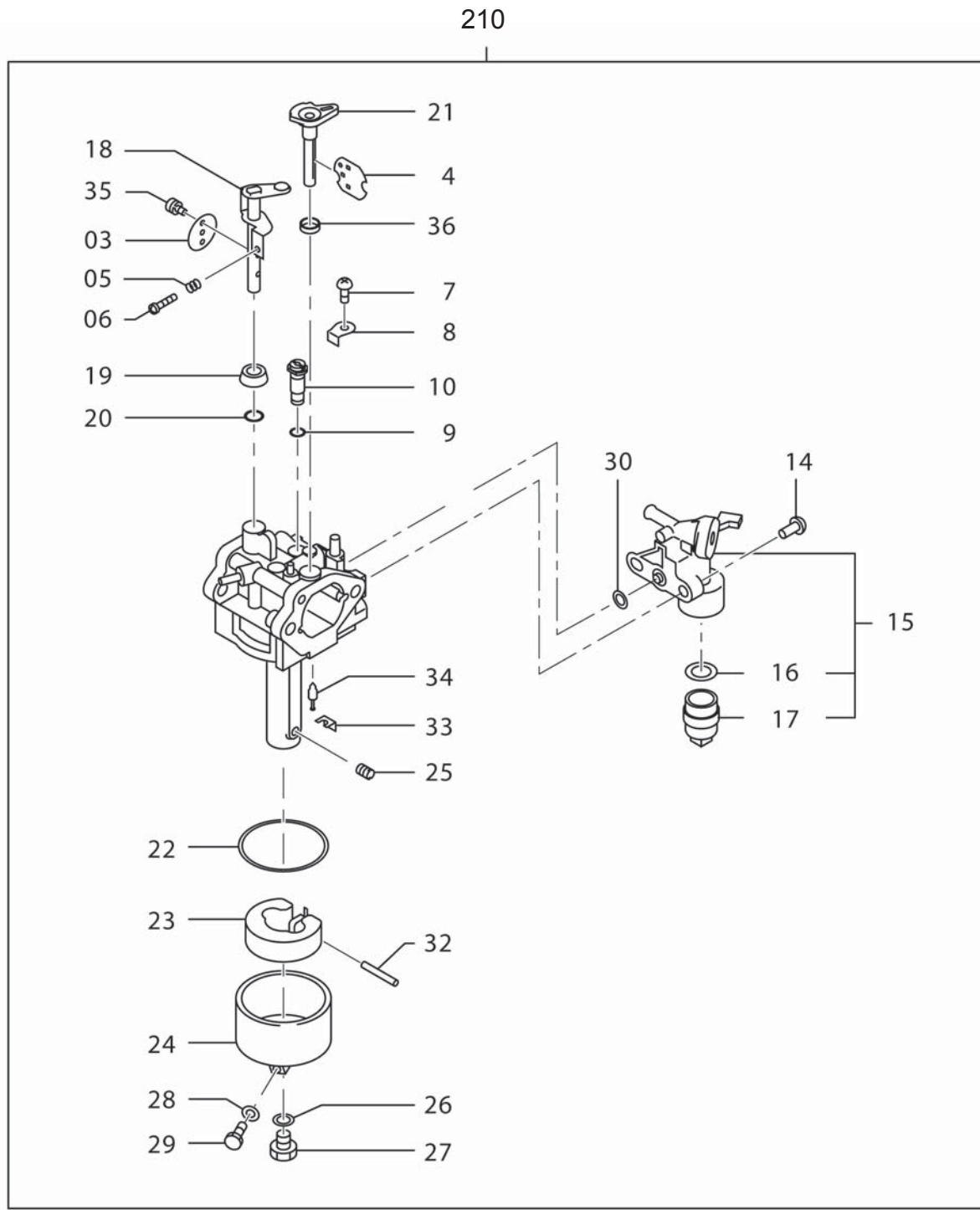
SECTION 6 FUEL, LUBRICATION GROUP

FIG. 600



SECTION 6 FUEL, LUBRICATION GROUP

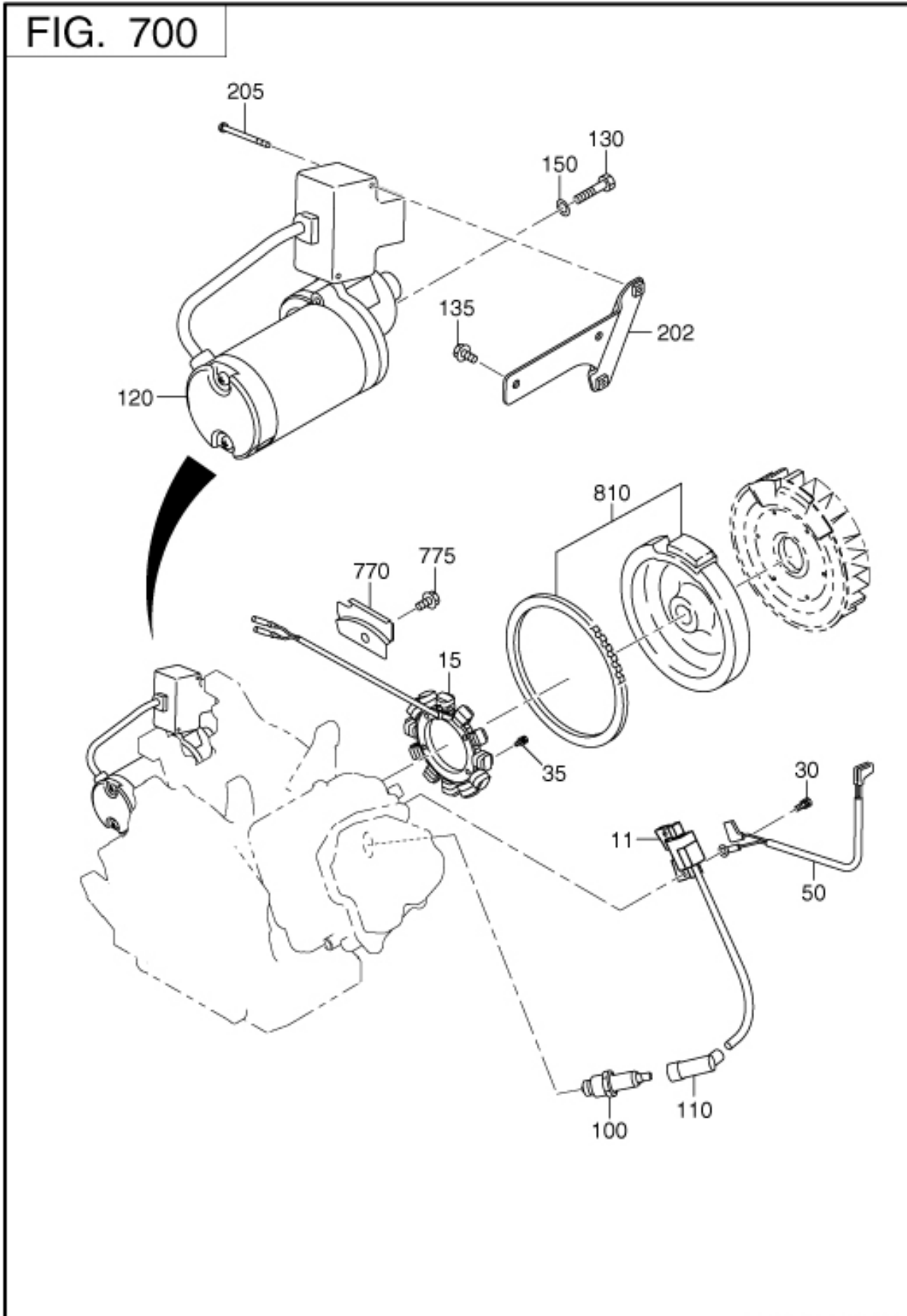
FIG. 640



SECTION 6 FUEL, LUBRICATION GROUP

Ref.	Part Number	Description	Qty	Remarks	To-From	Fig.
210	279-62392-00	Carburetor Ay	1			640
-2	279-62357-08	Screw	2			640
-3	279-62536-08	Throttle Valve	1			640
-4	279-62527-08	Choke Valve	1			640
-5	283-62357-08	Spring	1			640
-6	106-62556-08	Screw	1			640
-7	279-62351-08	Screw	1			640
-8	279-62360-08	Plate	1			640
-9	106-62384-08	O ring	1			640
-10	279-62423-08	Pilot Jet	1			640
-14	165-62377-08	Screw	2			640
-15	279-62103-10	Cock Body A	1			640
-16	277-621 10-18	Packing	1			640
-17	277-62100-18	Cup	1			640
-18	279-62533-08	Throttle Shaft A	1			640
-19	279-62551-08	Ring	1			640
-20	246-62390-08	Seal	1			640
-21	279-62522-08	Choke Lever	1			640
-22	206-62540-08	Packing	1			640
-23	234-62506-08	Float A	1			640
-24	279-62506-08	Float Body A	1			640
-25	279-62408-08	Main Jet	1	#92.5		640
-26	207-62345-08	Insert Washer	1			640
-27	150-62358-08	Bolt	1			640
-28	279-62541-08	Washer	1			640
-29	279-62361-08	Bolt	1			640
-30	277-62552-08	O ring	1			640
-32	214-62515-08	Pin	1			640
-33	226-62701-18	Clip	1			640
-34	224-62305-08	Needle Valve	1			640
-35	209-62351-08	Screw	2			640
-36	236-62680-08	Seal	1			640

7 ELECTRIC DEVICE



REF.	PART NUMBER	PART NAME	CODE NO.	QTY	REMARKS	INTERCHANGE
11	22G-79430-01	IGNITION COIL CP	-	1		
15	23D-79301-01	LAMP COIL CP	-	1		
30	001-14063-00	BOLT AND WASHER AY	-	2	M6X1. 0X30L W/W, SW	
35	004-35062-00	SCREW AND WASHER AY	-	4	M6X1. 0X20L W/SW	
50	23D-73111-01	WIRE 11 CP	-	1		
100	065-01407-40	SPARK PLUG	-	1	NGK BR4HS	
110	065-50003-11	SPARK PLUG CAP	-	1		
120	23D-70503-00	STARTING MOTOR AY	-	1		
130	214-79007-01	BOLT CP,STARTER	-	2	M8X1. 25X30L	
135	011-00600-20	FLANGE BOLT	-	2	M6X1. 0X14DX12L	
150	003-10080-00	WASHER	-	2	8. 5DX16DX1. 2T	
202	23D-76001-01	BRACKET(CONT.BOX) CP	-	1		
205	013-10401-20	SCREW AND WASHER AY	-	2		
770	20B-75501-13	WIRE CLAMP	-	1		
775	015-20600-90	TAPPING BOLT	-	1	M6X13DX10L	
810	23D-79260-01	FLYWHEEL CP	-	1		

