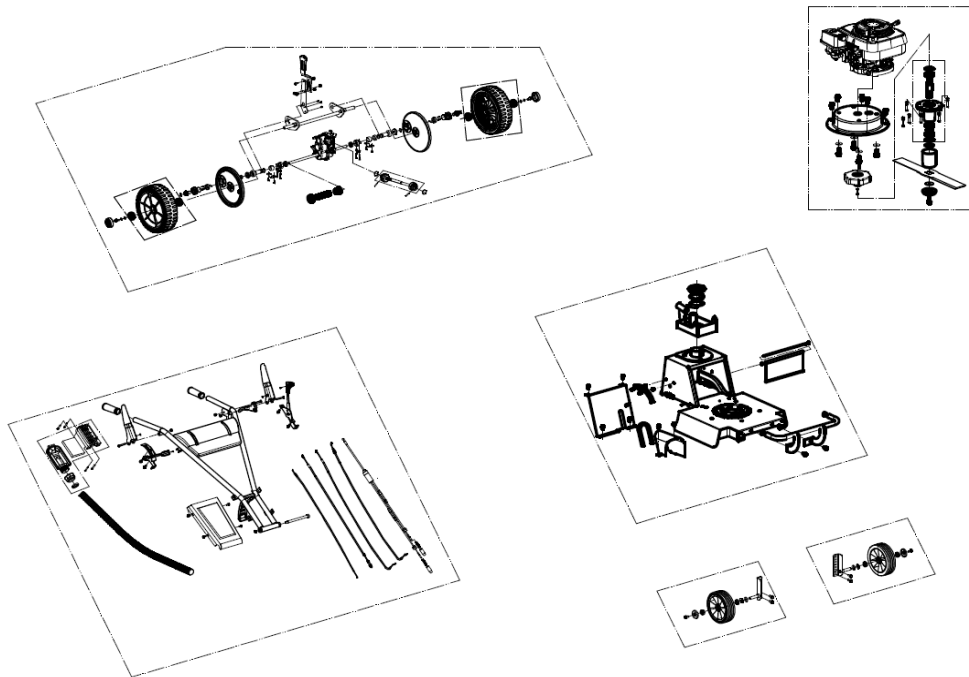
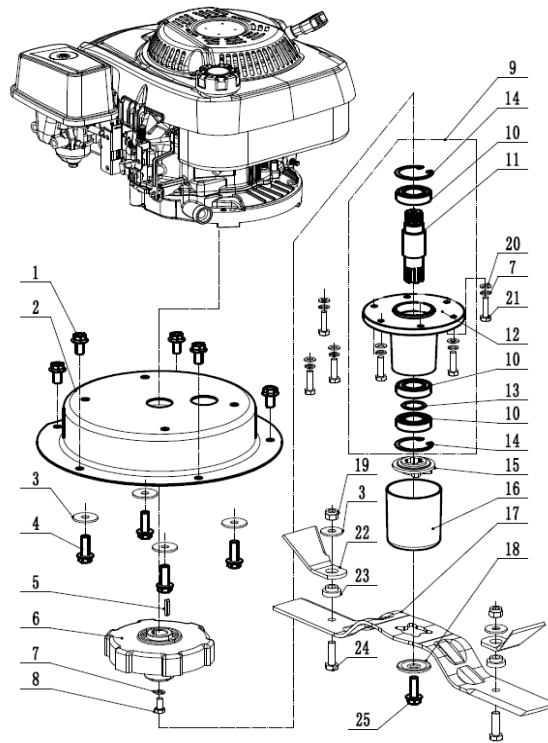


FASTOX55CV



<b>FIG.1 FERRO55HLV Spare parts list</b>			
<b>NO</b>	<b>ART</b>	<b>NAME</b>	<b>QTY</b>
1		Engine	
2		Blade system	
3		Main body	
4		Handle and controls	
5		Rear Axle	
6		Right-front wheel	
7		Left-front wheel	

# FASTOX55CV



**FIG.2 Blade system**

NO	ART	NAME	QTY
1	UR200-00056	Bolt - M10*20	5
2	U536-00113	Engine seat	1
3	UG700-00100	Big washer - M10	6
4	U536-00114	Bolt - 5/16*24牙*25	4
5	U536-00115	Key - 5*5*8	1
6	U536-00089	Safety clutch	1
7	U455-00053	Circlip - M8	8
8	U536-00116	Bolt - M8*20	1
9	U536-00117	Blade shaft component	1
10	U536-00087	Bearing	3
11	U536-00118	Blade shaft	1
12	U536-00119	Bearing seat	1
13	U536-00120	Spacer for blade shaft bearing	1
14	U536-00088	Circlip - M47	2
15	U536-00086	Adapter	1
16	U536-00121	Grass proof of protective sleeve	1
17	U536-00122	Blade	1
18	U536-00085	Belleville spring	1
19	U536-00083	Nylon lock nut - M10	2
20	U536-00123	Flat washer - M8	6
21	UG700-00095	Bolt - M8*30	6
22	U536-00080	Flail blade	2
23	U536-00081	Spacer bush for flail blade	2
24	U536-00082	Blade - M10*35	2
25	U536-00084	Central bolt	1

# FASTOX55CV

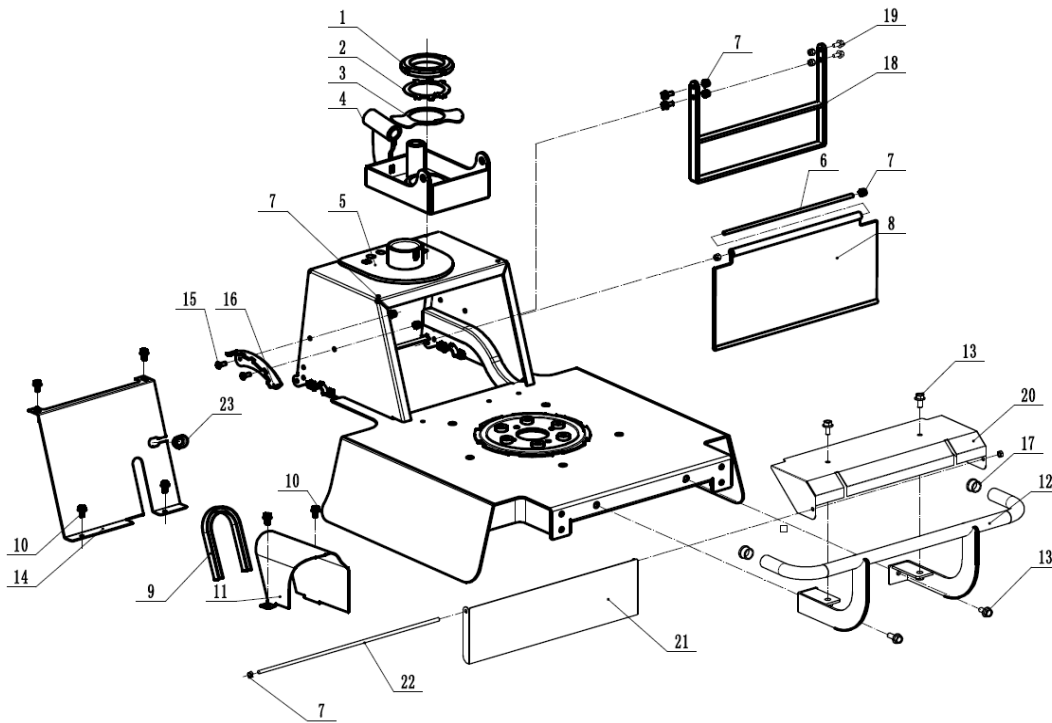
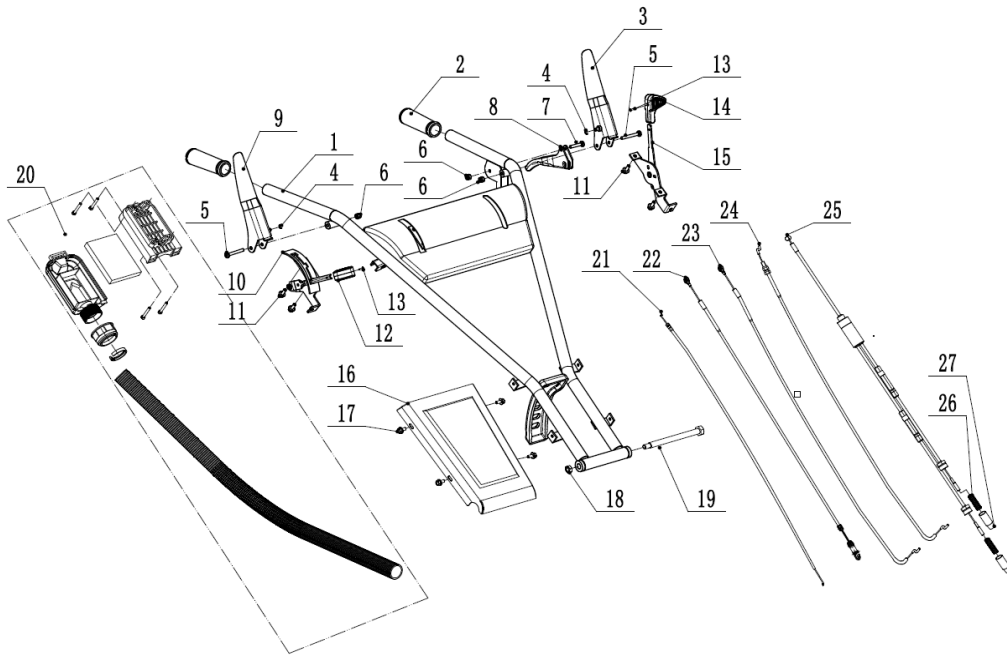


FIG.3 Main Body			
NO	ART	NAME	QTY
1	U536-00124	Circle nut - M60	1
2	U536-00125	Tab washer for circle nut	1
3	U536-00126	Limit washer	1
4	U536-00127	Rotating base	1
5	U536-00128	Chassis	1
6	U456-00023	Rear tail axle	1
7	U536-00129	Nylon lock nut - M6	10
8	U536-00130	Rear deflector	1
9	U536-00131	Dust guard	1
10	U058-00002	Screw - M6*12	6
11	U536-00132	Drive shaft shield	1
12	U536-00133	Bumper	1
13	UR200-00058	Bolt - M8*20	4
14	U536-00134	Front baffle	1
15	U536-00135	Screw - M6*16	2
16	U536-00136	Indexing plate	1
17	U536-00137	Plug for bumper	2
18	U536-00138	Rear guardrail	1
19	U536-00139	Bolt - M6*20	4
20	U536-00090	Front shield	1
21	U536-00140	Front baffle for chassis	1
22	U536-00141	Front shaft for baffle	1
23	U536-00142	Rubber Ring	1

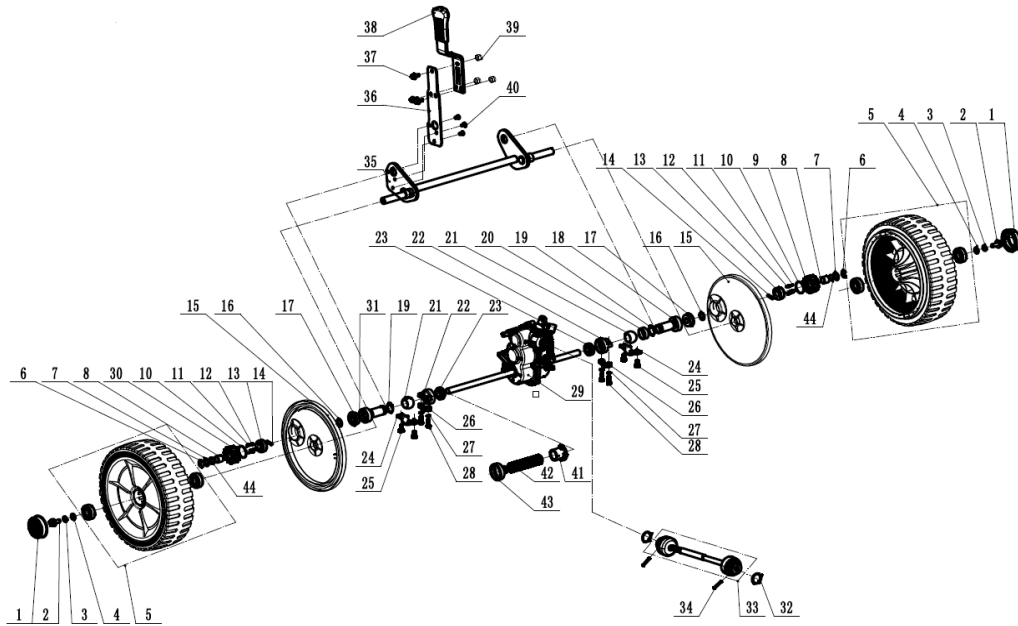
# FASTOX55CV



**FIG.4 Handle and controls**

NO	ART	NAME	QTY
1	U536-00143	Handle	1
2	U536-00144	Big hande sheath	2
3	U536-00145	Drive handle	1
4	UG700-00005	Criclip - M5	2
5	U536-00146	Screw - M6*45	2
6	U536-00129	Nylon lock nut - M6	3
7	U536-00147	Screw - M6*25	1
8	U536-00148	Rotating plate for handle	1
9	U536-00149	Brake handle	1
10	U536-00150	Speed control bracket	1
11	U537-00094	Bolt - M6*16	4
12	U536-00151	Speed control grip	1
13	U506-00035	Screw - ST2.9*13	2
14	U536-00152	Throttle grip	1
15	U536-00153	Throttle bracket	1
16	U536-00154	Shield	1
17	U455-00009	Bolt - M6*12	4
18	U536-00155	Nylon lock nut - M12	1
19	U536-00156	Step bolt	1
20	U536-00157	Air filter	1
21	U536-00091	Throttle cable	1
22	U536-00092	Clutch cable	1
23	U536-00093	Brake cable	1
24	U536-00094	Speed control cable	1
25	U536-00095	Height and angle adjustment cable	1
26	U536-00096	Spring	2
27	U536-00097	Cable core	2

# FASTOX55CV

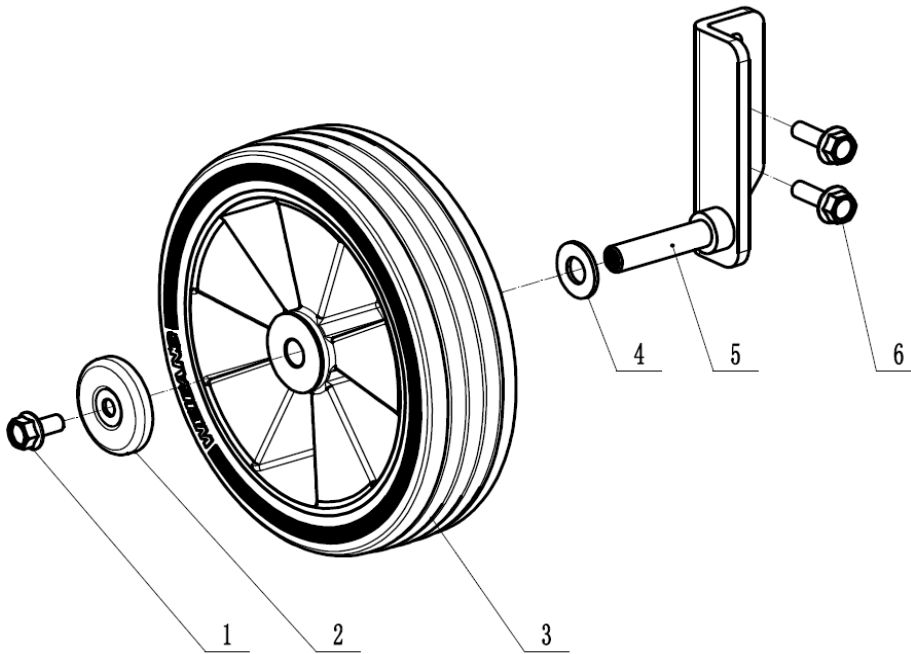


**FIG.5 Rear Axle**

NO	ART	NAME	QTY
1	U536-00158	Wheel cap	2
2	U455-00002	Bolt - M8*16	2
3	U536-00159	Spring washer - M8	2
4	U455-00061	Flat washer - M8	4
5	U536-00098	Polyurethane wheel	2
6	U536-00099	Circilp - M9	2
7	U536-00100	Anti-friction washer	2
8	U536-00101	Plastic bearing	2
9	U455-00083	Left drive pinion	1
10	U536-00102	O-sealing ring	1
11	U455-00081	One-way telescopic pin	2
12	U455-00080	spring for One-way telescopic pin	1
13	U455-00079	One-way seat	2
14	U455-00078	Pin for one-way seat	2
15	U536-00160	Dust cover	1
16	U455-00077	Circilp - M12	3
17	U455-00056	Bearing	1
18	U536-00103	Left bearing seat	3
19	U455-00068	Circilp - M20	1
20	U536-00104	Spacer bush for transmission	1
21	U455-00066	Bearing	2
22	U537-00032	Bearing base	4
23	U456-00006	Bearing	2
24	U455-00132	Upper bearing base	2
25	U536-00105	Bolt - M6*12	2
26	U537-00033	Cap for bearing base	2

FASTOX55CV

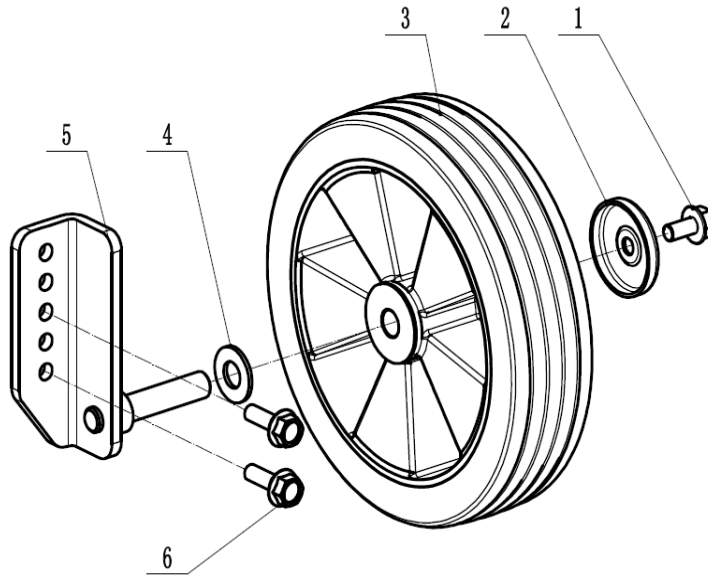
27	UG700-00038	Spring washer - M5	6
28	U536-00106	Screw - M5*20	6
29	U536-00107	Transmission assembly	1
30	U455-00082	Right drive pinion	1
31	U536-00161	Right bearing sleeve	2
32	U536-00108	Check ring	2
33	U536-00109	Universal drive shaft	1
34	U537-00050	Pin	1
35	U536-00162	Rear axle	1
36	U536-00163	leaf spring for regulating handle	2
37	U536-00164	Screw - M6*14	1
38	U536-00165	Regulating handle lever	1
39	U455-00013	Nylon lock nut - M6	1
40	U455-00069	Screw - M5*8	1
41	U536-00166	Transmission end cover	1
42	U536-00167	Corrugated pipe	1
43	U536-00168	Bearing seat cover	1
44	U536-00169	O-sealing ring	1



**FIG.6 Right-front wheel**

NO	ART	NAME	QTY
1	U536-00170	Bolt - M8*16	1
2	U536-00171	Wheel cap	1
3	U536-00110	Polyurethane wheel	1
4	U536-00172	Gasket for wheel axle	1
5	U536-00111	Right-front wheel bracket	1
6	U536-00173	Bolt - M8*25	2

FASTOX55CV



**FIG.7 Left-front wheel**

NO	ART	NAME	QTY
1	U536-00170	Bolt - M8*16	1
2	U536-00171	Wheel cap	1
3	U536-00110	Polyurethane wheel	1
4	U536-00172	Gasket for wheel axle	1
5	U536-00112	Left-front wheel bracket	1
6	U536-00173	Bolt - M8*25	2